

# DT225 series

Desktop Trackball



## DISTINCTIVE FEATURES

- Non contacting optical encoders
- Ergonomic and ambidextrous desktop design
- 2.25" diameter thermoset phenolic ball
- USB 2.0 protocol
- Stainless steel shaft and bearings



## ENVIRONMENTAL SPECIFICATIONS

- Operating Temperature: -25 °C to +70 °C (-13 °F to +158 °F)
- Storage Temperature: -32 °C to +75 °C (-25.6 °F to +167 °F)
- FCC approved: Class B, subpart J of part 15



## ELECTRICAL SPECIFICATIONS

- USB: Input: 4.75 V - 5.25 V @ 25 mA max;  
Output: USB 2.0



## MECHANICAL SPECIFICATIONS

- Dimensions: 5.0" W x 5.5" D x 2.7" H
- Mechanical: 5,000,000 180° rotations with 6 ounces of vertical force
- Tracking force: 11 grams
- Mass/Weight: 460 g (16.23 oz)
- Ball diameter: 2.25" (57.15 mm)
- Ball rotation: 360°



## MATERIALS

- Housing: High impact ABS
- Ball: Thermoset phenolic resin
- Shafts: Polished stainless steel
- Bearings: Encased stainless steel

The company reserves the right to change specifications without notice.



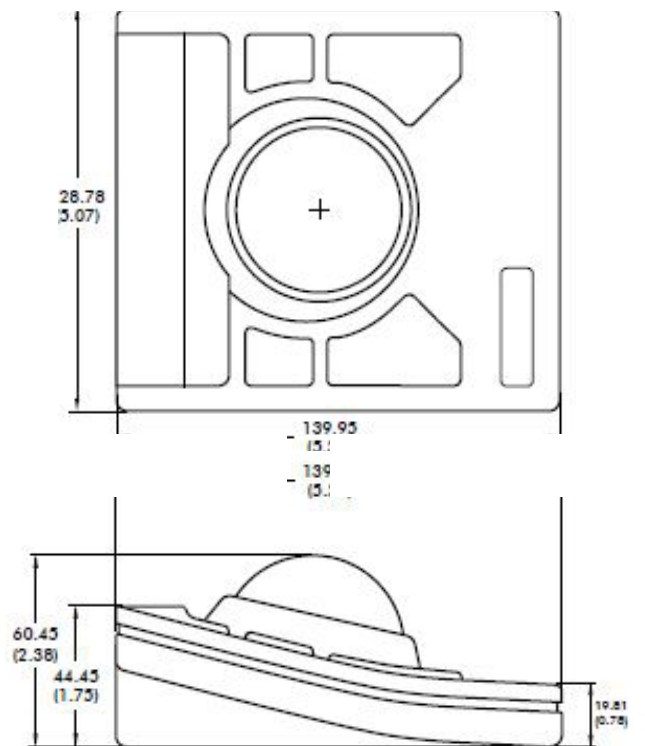
# DT225 series

Desktop trackball

## BUILD YOUR PART NUMBER

|        |       |                 |  |                   |                       |  |
|--------|-------|-----------------|--|-------------------|-----------------------|--|
| DT     | 225   |                 | X                                      |                   | V00                   |  |
| SERIES | MODEL | PROTOCOL FORMAT | RESOLUTION                             | POWER REQUIREMENT | COLOR                 |  |
|        |       | 7 USB 2.0       | 10 180 DPI<br>20 360 DPI<br>30 720 DPI |                   | GRY Grey<br>BLK Black |  |

## DIMENSIONS



All dimensions are in mm /(inch).