

4

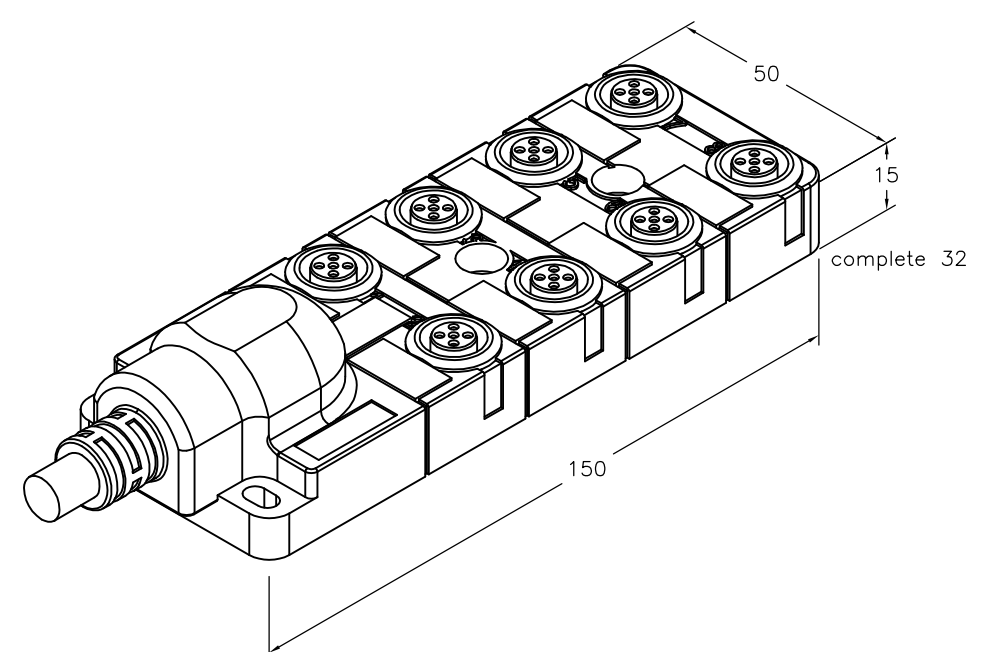
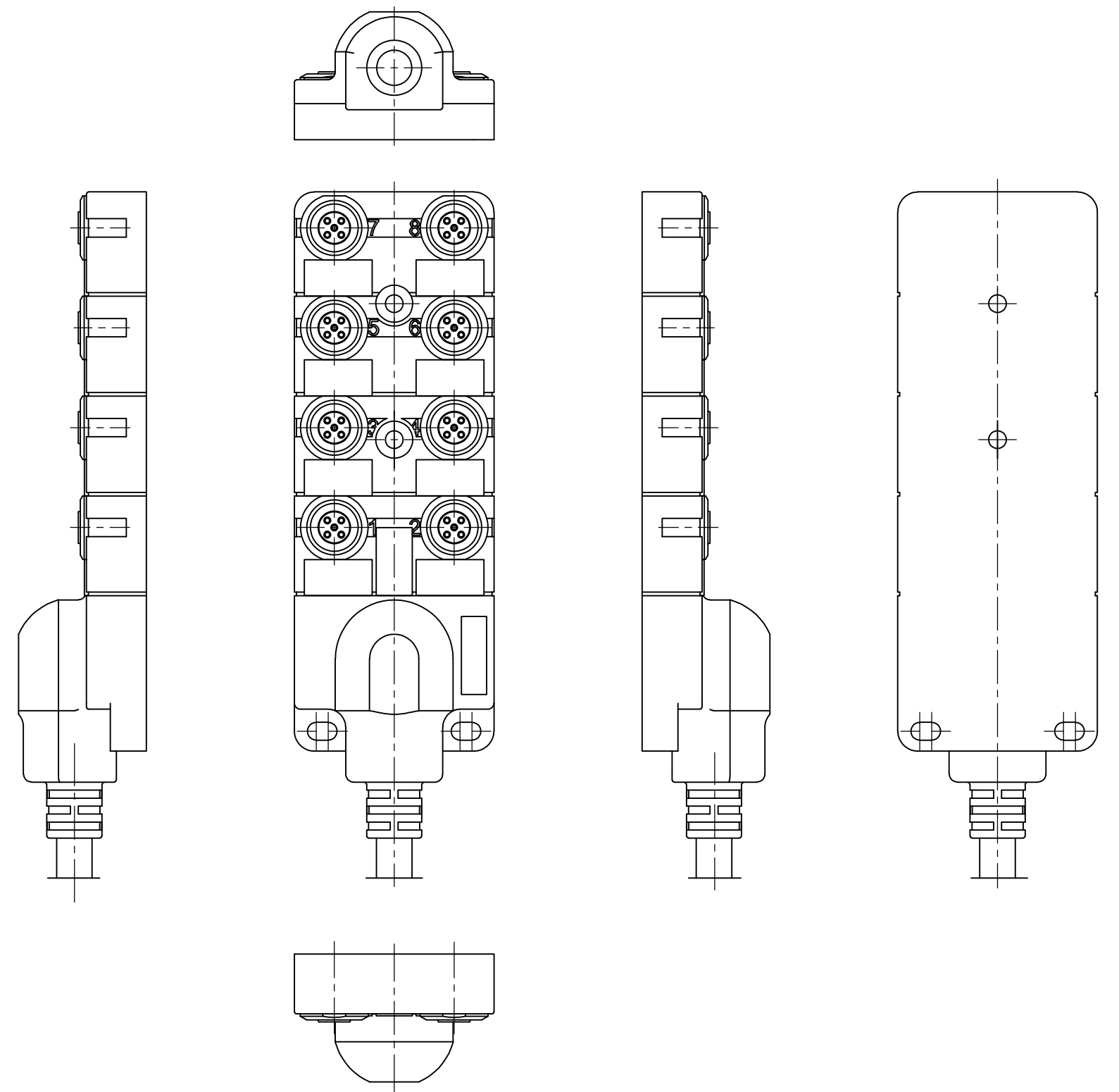
3

2


1

THIS DRAWING IS UNPUBLISHED. RELEASED FOR PUBLICATION
 © COPYRIGHT - By - ALL RIGHTS RESERVED.

LOC	DIST	REVISIONS					
H	-	P	LTR	DESCRIPTION	DATE	DWN	APVD
		A		INITIAL RELEASE	16JAN2014	GSK	BvH



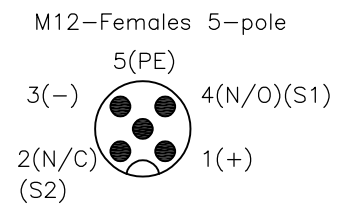
PUR cable 20m	1-2273163-5
PUR cable 15m	1-2273163-4
PUR cable 10m	1-2273163-3
PUR cable 5m	1-2273163-2
PUR cable 3m	1-2273163-1
PUR/PVC cable 20m	2273163-5
PUR/PVC cable 15m	2273163-4
PUR/PVC cable 10m	2273163-3
PUR/PVC cable 5m	2273163-2
PUR/PVC cable 3m	2273163-1
DESCRIPTION	TE PN

THIS DRAWING IS A CONTROLLED DOCUMENT.		DWN 16JAN2014 SATHISH KUMAR .G	 TE Connectivity		
DIMENSIONS: mm		CHK 16JAN2014 B.VELDHOVEN			
TOLERANCES UNLESS OTHERWISE SPECIFIED:		APVD 16JAN2014 A.VAN ZANDVOORT	NAME DISTR BOX M12 5POS 8WAY PNP		
0 PLC ± - 1 PLC ± - 2 PLC ± - 3 PLC ± - 4 PLC ± - ANGLES ± -		PRODUCT SPEC -	-		
MATERIAL -		FINISH -	APPLICATION SPEC -	-	
		WEIGHT -	SIZE A3	CAGE CODE 00779	DRAWING NO C-2273163
CUSTOMER DRAWING			RESTRICTED TO -	SCALE NTS	SHEET 1 OF 2
			REV A		

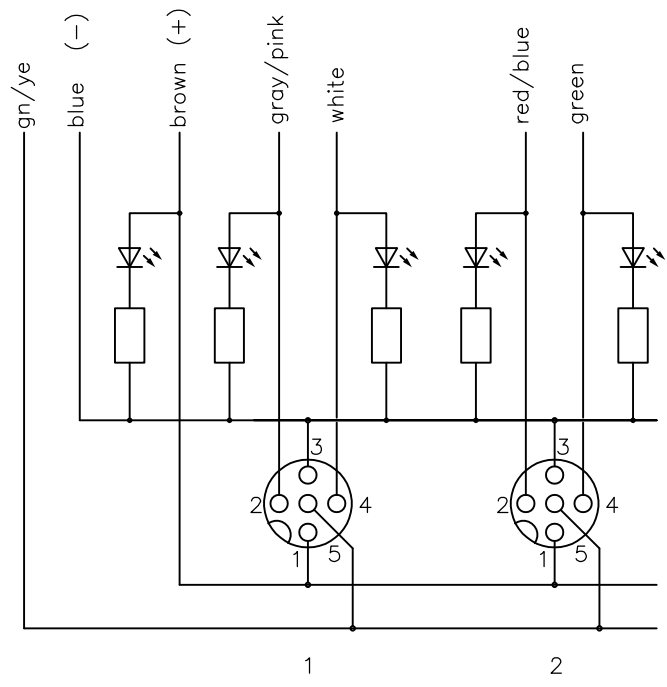
THIS DRAWING IS UNPUBLISHED. RELEASED FOR PUBLICATION
 © COPYRIGHT - By - ALL RIGHTS RESERVED.

LOC	DIST	REVISIONS				
P	LTR	DESCRIPTION	DATE	DWN	APVD	
H	-	SEE SHEET 1	-	-	-	

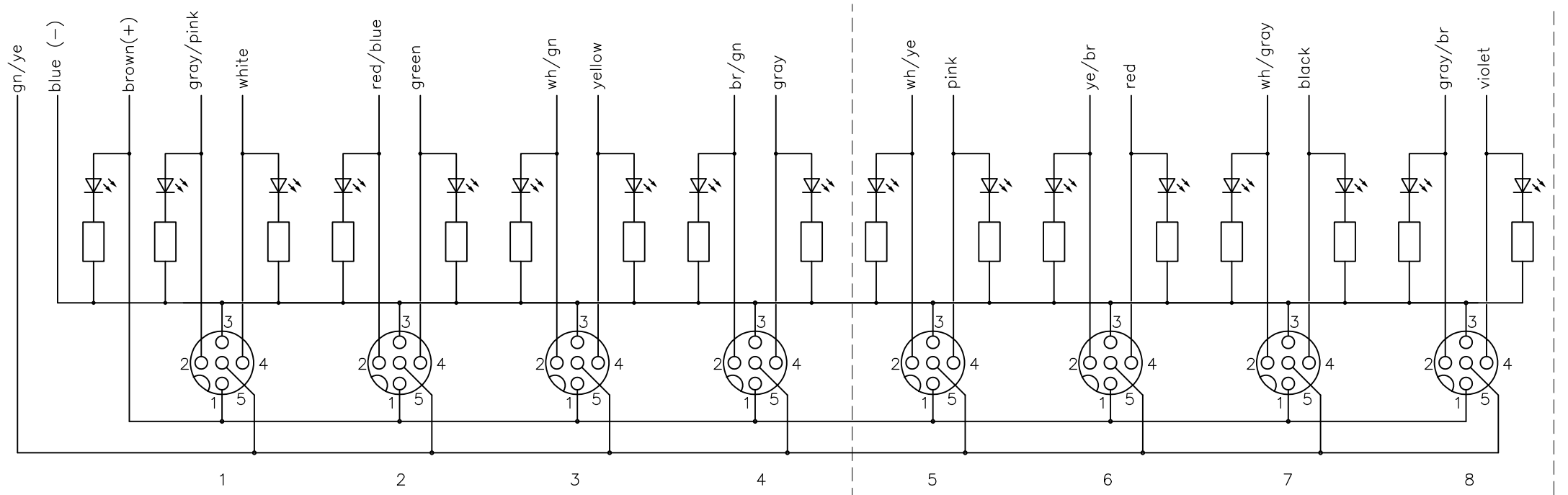
Contact layout



Circuit diagram



for 2 Signals per port



4xM12

8xM12

THIS DRAWING IS A CONTROLLED DOCUMENT.		DWN 16JAN2014 SATHISH KUMAR .G		TE Connectivity	
DIMENSIONS: mm		TOLERANCES UNLESS OTHERWISE SPECIFIED:			
		0 PLC ± - 1 PLC ± - 2 PLC ± - 3 PLC ± - 4 PLC ± - ANGLES ± -		CHK 16JAN2014 B.VELDHOVEN APVD 16JAN2014 A.VAN ZANDVOORT PRODUCT SPEC APPLICATION SPEC	
MATERIAL		FINISH		NAME DISTR BOX M12 5POS 8WAY PNP	
-		-		SIZE CAGE CODE DRAWING NO RESTRICTED TO A3 00779 C-2273163 -	
CUSTOMER DRAWING				SCALE NTS SHEET 2 OF 2 REV A	