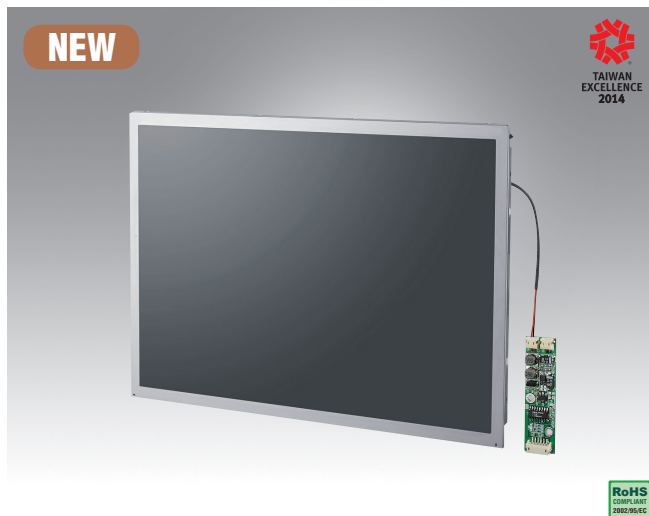


IDK-2110

10.4" SVGA/XGA 1,200/1,300 cd/m² Ultra High Brightness Industrial Display Kit with LED B/L



Features

- 10.4" LCD supports 800 x 600 and 1024 x 768 pixels and wide operating temperature (-20 ~ 70° C)
- Ultra-high brightness of 1200/1300 cd/m² with LED backlight
- High contrast ratio of 500:1 and 700:1
- High uniformity of 85%
- Superior sunlight readability
- LVDS signal interface
- Low power consumption 7.1 W and 16.05 W
- 4W resistive touch solution (optional)
- Anti-Reflection surface treatment (optional)
- Optical bonding (optional)

Introduction

The Advantech IDK-2110 series comes with a 10.4" 1200 and 1300 cd/m² industrial grade LCD display, and an LED or driver built in. The series is also available with flexible options for 4-wire resistive touch screens and enhanced treatment such as Anti-Reflection surface treatment and optical bonding solution. IDK-2110 series supports 1300 cd/m² high brightness with low power consumption at the consumption of 7.1W and 16.05 W. Equipped with high level of brightness and wide operating temperature, IDK-2110 provides superior sunlight readability and is perfect for applications whether in semi-outdoor or outdoor environments.

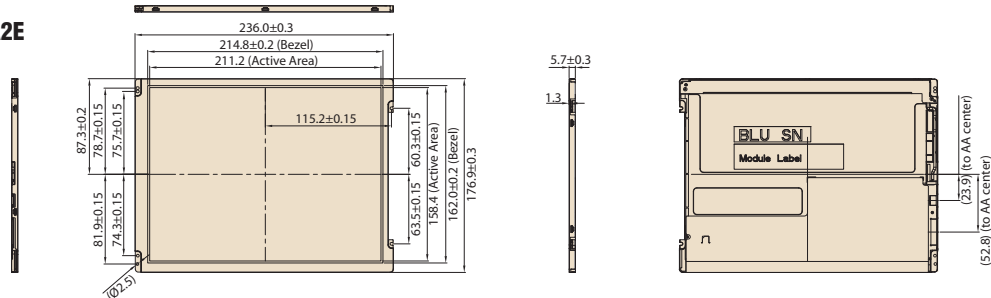
Specifications

LCD Panel	Model	IDK-2110 XGA	IDK-2110 SVGA
	Display Size	10.4" LED backlight panel	10.4" LED backlight panel
	Resolution	1024 x 768 (XGA)	800 x 600 (SVGA)
	Viewing Angle (U/D/L/R)	85°/85°/85°/85°	60°/70°/80°/80°
	Brightness	1300 (cd/m ²)	1200 (cd/m ²)
	Contrast Ratio	700 : 1	500 : 1
	Response Time (ms)	30 ms	35 ms
	Colors	6bit (262k)/8bit (16.2M)	6bit (262K)/8bit (16.2M)
	Voltage	3.3V (typ)	3.3 V
	Consumption	16.05W	7.1 W
	Signal Interface	1 channel LVDS	1 channel LVDS
	Weight	600g	N series: 350 g R series: 470 g
	Backlight Life (hrs)	70,000hrs	50,000hrs
Dimensions (W x H x D)	230 x 180.2 x 12.3 mm	N series: 236 x 176.9 x 5.7 mm R series: 236 x 176.9 x 7.65 mm	
LED Driver Board	Efficiency		85%
	Output Current & Voltage		700 mA / 9 V (Typ.)
	Dimensions (W x H x D)		60 x 16 x 5 mm
Touch Screen (R series)	Touch Screen	4-wire Resistive	4-wire Resistive
	Light Transmission	82.5%	82.5%
	Surface Hardness	3H	3H
	Durability	1 million times	1 million times
Environment	Operating Temperature	-10 ~ 60° C	-20 ~ 70° C (N series) / -10 ~ 60° C (R series)
	Storage Temperature	-30 ~ 70° C	-20 ~ 70° C
	Humidity	85% @ 39° C, non-condensing	90% @ 39° C, non-condensing

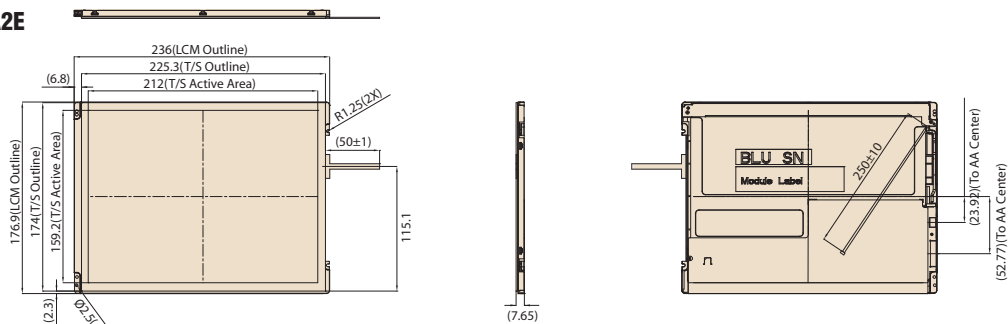
Dimensions

Unit: mm

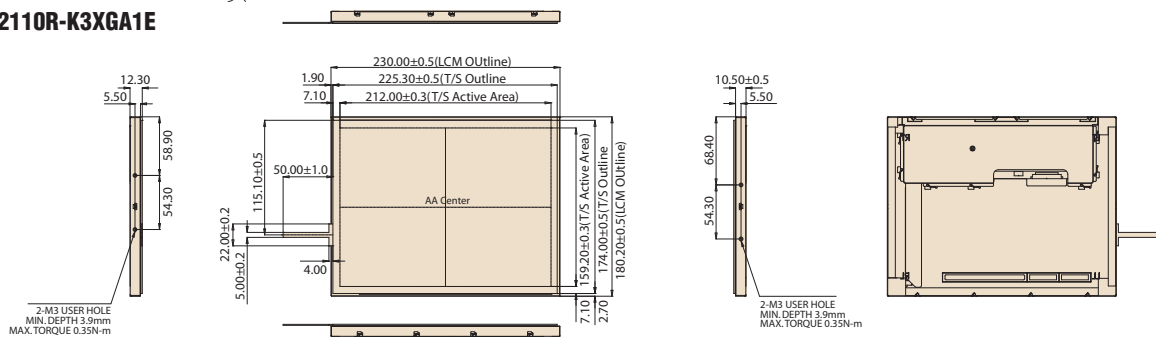
IDK-2110N-SVA2E



IDK-2110R-K2SVA2E



IDK-2110R-K3XGA1E



Ordering Information

Part No.	Size	Brightness (cd/m ²)	Interface	Touch screen	Touch Interface
IDK-2110R-K3XGA1E	10.4"	1300	LVDS	4-wire Resistive	USB
IDK-2110N-K2SVA2E	10.4"	1200	LVDS	N/A	N/A
IDK-2110R-K2SVA2E	10.4"	1200	LVDS	4-wire Resistive	USB

Packing List

Part Number	Description
ETM-RES05C-EEH4EE	1 x 4-wire Touch controller
1700020324-01	1 x USB cable

Note: Package contents are subject to change without prior notice

Optional Order

IDK-2110N/R-SVA2E

SBC Part No.	LVDS cable P/N	Display interface	B/L cable P/N	Touch interface	Touch power input
MIO-5270	96CB-L2040PAC4	Single channel 18bit LVDS (SVGA)	96CB-E0605HAA1	USB	5V
PCM-9362	96CB-L2020PAC2	Single channel 18bit LVDS (SVGA)	96CB-E0605HAA1	USB	5V
AIMB-270	96CB-L2040PAC4	Single channel 18bit LVDS (SVGA)	96CB-E0605HAA1	USB	5V

IDK-2110R-K3XGA1E

SBC Part No.	LVDS cable P/N	Display interface	B/L cable P/N	Touch interface	Touch power input
MIO-5270	96CB-L2040PKA4	Single channel 18bit LVDS (XGA)	96CB-E0605HAA1	USB	5V
PCM-9362	96CB-L2020PKA2	Single channel 18bit LVDS (XGA)	96CB-E0605HAA1	USB	5V
AIMB-270	96CB-L2040PKA4	Single channel 18bit LVDS (XGA)	96CB-E0605HAA1	USB	5V

For more compatible embedded board solution, please visit our Build Your display web page as bellow
<http://www.advantech.com/buildyourdisplay>