

Surge Protection Made Simple™ for Telecom Applications

IEC Class II Surge Arresters for 48Vac/60Vdc, 75Vac/100Vdc and 120Vac/200Vdc LV Systems



Description

The Cooper Bussmann® IEC Class II 48Vac/60Vdc, 75Vac/100Vdc and 120Vac/200Vdc one-pole, modular surge arresters feature local, *easyID™* visual indication and optional remote contact signaling. The unique module locking system fixes the protection module to the base part. Modules can be easily replaced without tools by simply depressing the release buttons. Integrated mechanical coding between the base and protection module ensures against installing an incorrect replacement module.

LV System Arresters

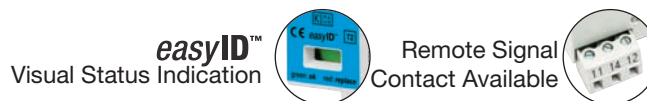
The features of these single-pole devices are for use as a single device or in combination with other devices for AC and DC voltage systems.

Remote Signaling Contact

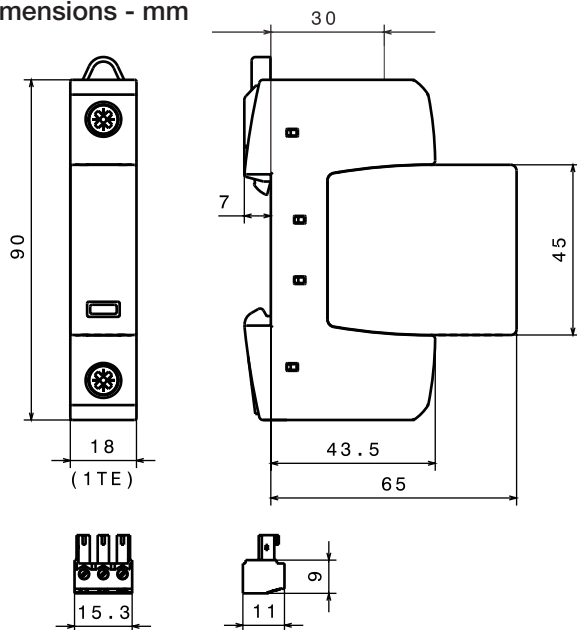
The three-pole terminal remote signaling contact versions have a floating changeover contact for use as a break or make contact, according to circuit concept.



BSPM1A48D60LV(R)
BSPM1A75D100LV(R)
BSPM1A150D200LV(R)

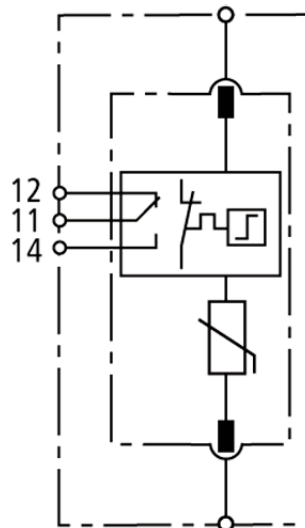


Dimensions - mm



Module Circuit Diagrams -

Shown with optional remote contact signaling



MOV Thermal Disconnecter

BPMA48D60LV
BPMA75D100LV
BPMA150D200LV

Shown with optional remote contact signaling

| Ordering Information | | | | |
|---|--------------------------|----------------|---|------------------|
| System Voltage | | 48Vac/60Vdc | 75Vac/100Vdc | 120Vac/200Vdc |
| Catalogue Numbers: (Base + Modules) | Without Remote Signaling | BSPM1A48D60LV | BSPM1A75D100LV | BSPM1A150D200LV |
| | With Remote Signaling | BSPM1A48D60LVR | BSPM1A75D100LVR | BSPM1A150D200LVR |
| Replacement Modules | | BPMA48D60LV | BPMA75D100LV | BPMA150D200LV |
| Specifications | | | | |
| Line System Type | | LV | LV | LV |
| Max continuous operating AC Voltage [U _c] | | 48Vac | 75Vac | 150Vac |
| Max continuous operating DC Voltage [U _c] | | 60Vdc | 100Vdc | 200Vdc |
| Nominal discharge current (8/20 μs) [I _n] | | 10kA | 10kA | 15kA |
| Max. discharge current (8/20 μs) [I _{max}] | | 25kA | 40kA | 40kA |
| Voltage protection level [U _p] | | ≤ 0.3 kV | ≤ 0.4kV | ≤ 0.7kV |
| Voltage protection level at 5 kA [U _p] | | ≤ 0.25kV | ≤ 0.35kV | ≤ 0.55kV |
| Temporary overvoltage (TOV) [UT] | | 70V / 5 sec. | 90V / 5 sec. | 175V / 5 sec. |
| Standards Information* | | — | KEMA | KEMA |
| SPD according to EN 61643-11 | | | Type 2 | |
| SPD according to IEC 61643-1 | | | Class II | |
| Response time [t _A] | | | < 25 ns | |
| Max. mains-side overcurrent protection | | | 125 A gL/gG | |
| Short-circuit withstand capability for max. mains-side overcurrent protection | | | 50kArms | |
| TOV characteristics | | | Withstand | |
| Operating temperature range [T _U] | | | -40°C to +80°C | |
| Operating state/fault indication | | | Green (good) / Red (replace) | |
| Number of ports | | | 1 | |
| Cross-sectional area (min.) | | | 1.5mm ² /14AWG solid/flexible | |
| Cross-sectional area (max.) | | | 35mm ² /1AWG stranded/25mm ² /2AWG flexible | |
| For mounting on | | | 35mm DIN rail per EN 60715 | |
| Enclosure material | | | Thermoplastic, UL 94V0 | |
| Location category | | | Indoor | |
| Degree of protection | | | IP20 | |
| Capacity | | | 1 Mod., DIN 43880 | |
| Product warranty | | | Five years** | |
| Remote Contact Signaling | | | | |
| Remote Contact Signaling Type | | | Changeover Contact | |
| AC Switching Capacity (Volts/Amps) | | | 250V/0.5A | |
| DC Switching Capacity (Volts/Amps) | | | 250V/0.1A; 125V/0.2A; 75V/0.5A | |
| Conductor Ratings and Cross-Sectional Area for Remote Contact Signals Terminals | | | 60/75°C Max. 1.5mm ² /14AWG Solid/Flexible | |
| Ordering Information | | | Order from Catalogue Numbers Above | |

* Standards information not applicable to DC ratings.

** See Cooper Bussmann SPD Limited Warranty Statement (3A1502) for details at www.cooperbussmann.com/surge.

| Recommended Cooper Bussmann Back-Up Fuses | |
|---|---------------------|
| DIN Fuse Size | NH Fuse Part Number |
| 00 | 125NHG00B |
| 0 | 125NHG0B |
| 01 | 125NHG01B |
| 02 | 125NHG02B |

The only controlled copy of this Data Sheet is the electronic read-only version located on the Cooper Bussmann Network Drive. All other copies of this document are by definition uncontrolled. This bulletin is intended to clearly present comprehensive product data and provide technical information that will help the end user with design applications. Cooper Bussmann reserves the right, without notice, to change design or construction of any products and to discontinue or limit distribution of any products. Cooper Bussmann also reserves the right to change or update, without notice, any technical information contained in this bulletin. Once a product has been selected, it should be tested by the user in all possible applications.