

Surge Protection Made Simple™ for Telecom Applications

IEC Class II Surge Arresters for 48Vac/60Vdc, 75Vac/100Vdc and 120Vac/200Vdc LV Systems



Description

The Cooper Bussmann® IEC Class II 48Vac/60Vdc, 75Vac/100Vdc and 120Vac/200Vdc one-pole, modular surge arresters feature local, *easyID™* visual indication and optional remote contact signaling. The unique module locking system fixes the protection module to the base part. Modules can be easily replaced without tools by simply depressing the release buttons. Integrated mechanical coding between the base and protection module ensures against installing an incorrect replacement module.

LV System Arresters

The features of these single-pole devices are for use as a single device or in combination with other devices for AC and DC voltage systems.

Remote Signaling Contact

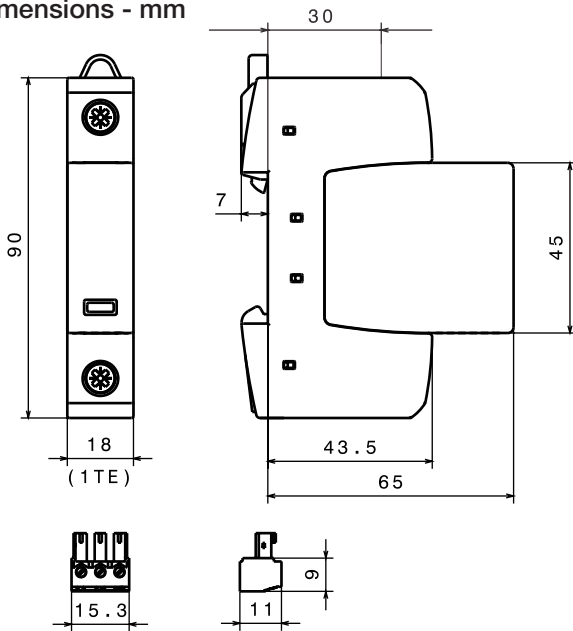
The three-pole terminal remote signaling contact versions have a floating changeover contact for use as a break or make contact, according to circuit concept.



BSPM1A48D60LV(R)
BSPM1A75D100LV(R)
BSPM1A150D200LV(R)

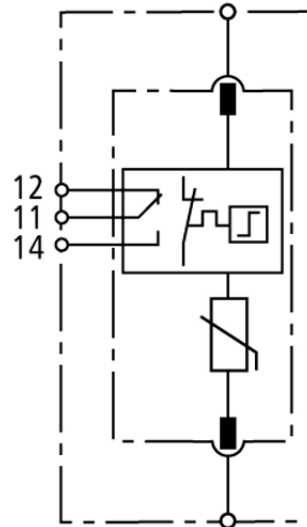


Dimensions - mm



Module Circuit Diagrams -

Shown with optional remote contact signaling



MOV Thermal Disconnecter

BPMA48D60LV
BPMA75D100LV
BPMA150D200LV

Shown with optional remote contact signaling

Ordering Information				
System Voltage		48Vac/60Vdc	75Vac/100Vdc	120Vac/200Vdc
Catalogue Numbers: (Base + Modules)	Without Remote Signaling	BSPM1A48D60LV	BSPM1A75D100LV	BSPM1A150D200LV
	With Remote Signaling	BSPM1A48D60LVR	BSPM1A75D100LVR	BSPM1A150D200LVR
Replacement Modules		BPMA48D60LV	BPMA75D100LV	BPMA150D200LV
Specifications				
Line System Type		LV	LV	LV
Max continuous operating AC Voltage [U _c]		48Vac	75Vac	150Vac
Max continuous operating DC Voltage [U _c]		60Vdc	100Vdc	200Vdc
Nominal discharge current (8/20 μs) [I _n]		10kA	10kA	15kA
Max. discharge current (8/20 μs) [I _{max}]		25kA	40kA	40kA
Voltage protection level [U _p]		≤ 0.3 kV	≤ 0.4kV	≤ 0.7kV
Voltage protection level at 5 kA [U _p]		≤ 0.25kV	≤ 0.35kV	≤ 0.55kV
Temporary overvoltage (TOV) [UT]		70V / 5 sec.	90V / 5 sec.	175V / 5 sec.
Standards Information*		—	KEMA	KEMA
SPD according to EN 61643-11			Type 2	
SPD according to IEC 61643-1			Class II	
Response time [t _A]			< 25 ns	
Max. mains-side overcurrent protection			125 A gL/gG	
Short-circuit withstand capability for max. mains-side overcurrent protection			50kArms	
TOV characteristics			Withstand	
Operating temperature range [T _U]			-40°C to +80°C	
Operating state/fault indication			Green (good) / Red (replace)	
Number of ports			1	
Cross-sectional area (min.)			1.5mm ² /14AWG solid/flexible	
Cross-sectional area (max.)			35mm ² /1AWG stranded/25mm ² /2AWG flexible	
For mounting on			35mm DIN rail per EN 60715	
Enclosure material			Thermoplastic, UL 94V0	
Location category			Indoor	
Degree of protection			IP20	
Capacity			1 Mod., DIN 43880	
Product warranty			Five years**	
Remote Contact Signaling				
Remote Contact Signaling Type			Changeover Contact	
AC Switching Capacity (Volts/Amps)			250V/0.5A	
DC Switching Capacity (Volts/Amps)			250V/0.1A; 125V/0.2A; 75V/0.5A	
Conductor Ratings and Cross-Sectional Area for Remote Contact Signals Terminals			60/75°C Max. 1.5mm ² /14AWG Solid/Flexible	
Ordering Information			Order from Catalogue Numbers Above	

* Standards information not applicable to DC ratings.

** See Cooper Bussmann SPD Limited Warranty Statement (3A1502) for details at www.cooperbussmann.com/surge.

Recommended Cooper Bussmann Back-Up Fuses	
DIN Fuse Size	NH Fuse Part Number
00	125NHG00B
0	125NHG0B
01	125NHG01B
02	125NHG02B

The only controlled copy of this Data Sheet is the electronic read-only version located on the Cooper Bussmann Network Drive. All other copies of this document are by definition uncontrolled. This bulletin is intended to clearly present comprehensive product data and provide technical information that will help the end user with design applications. Cooper Bussmann reserves the right, without notice, to change design or construction of any products and to discontinue or limit distribution of any products. Cooper Bussmann also reserves the right to change or update, without notice, any technical information contained in this bulletin. Once a product has been selected, it should be tested by the user in all possible applications.