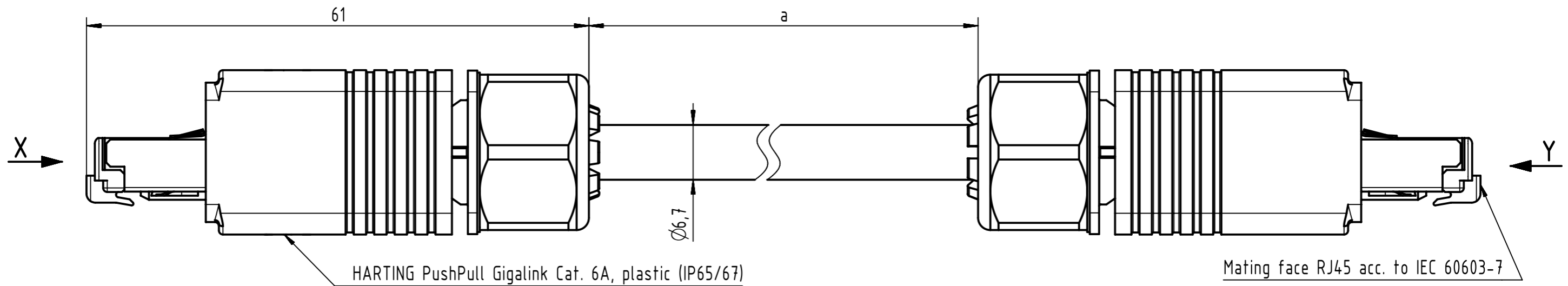


Connector Location A

Connector Location B



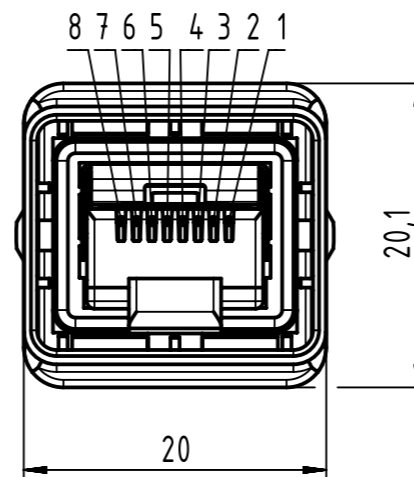
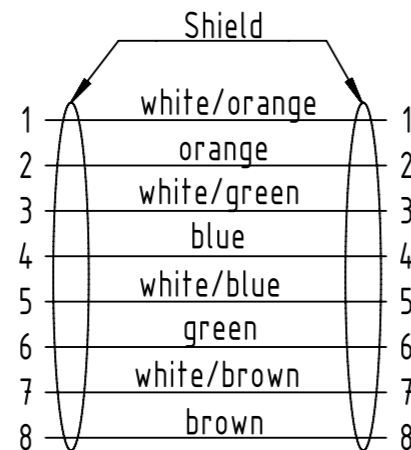
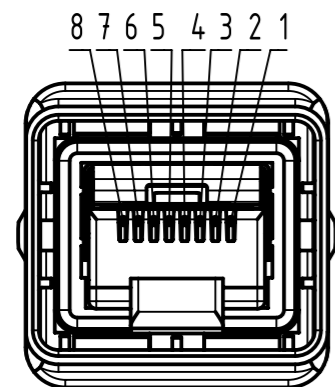
HARTING PushPull Gigalink Cat. 6A, plastic (IP65/67)

Mating face RJ45 acc. to IEC 60603-7

X
male

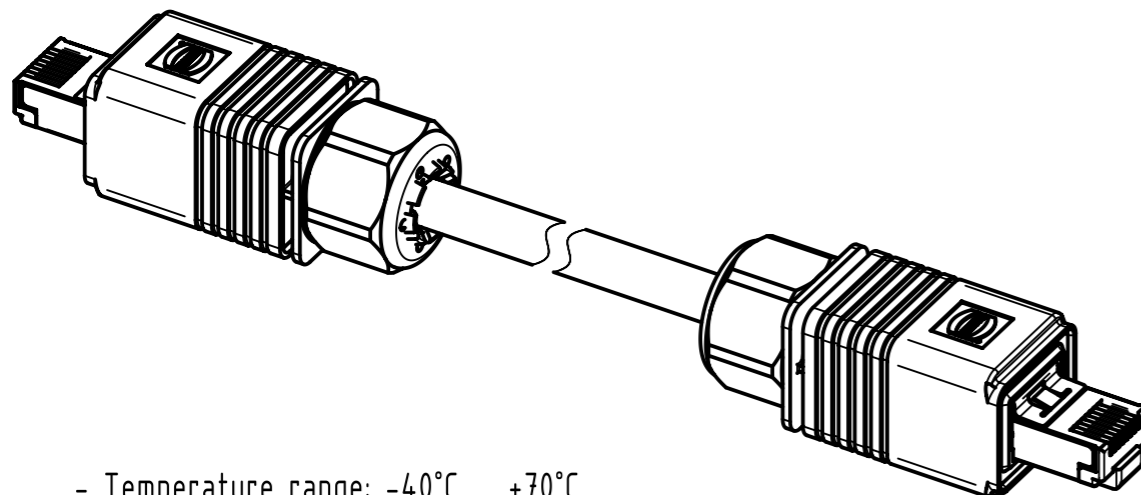
Loading-Plan
acc. to TIA/EIA 568B

Y
male



18	09457451116		20
17	09457451115		15
16	09457451114		10
15	09457451113		9
14	09457451112		8
13	09457451111		7
12	09457451110		6
11	09457451109		5
10	09457451108		4
9	09457451120		3.5
8	09457451107		3
7	09457451119		2.5
6	09457451106		2
5	09457451105		1.5
4	09457451118		1.2
3	09457451104		1
2	09457451103		0.5
1	09457451117		0.25
Cont. no.	Part no.	Type of cable	Dim. a[m]

RJI Ethernet stranded cable,
4x2xAWG 26/7, PVC, outdoor,
Cat. 5, black



- Temperature range: -40°C ... +70°C

	All rights reserved Department HCS - RO	Created by STOCHECIC Stochei	Inspected by COSTEA Costea	Standardisation AVRAM Avram	Date 2018-05-11	State Final Release
HARTING Customised Solutions D-32339 Espelkamp		Title RJ Industrial Cable Assembly		Doc-Key / ECM-Nr. 100118217/UGD/006/D 500000134555		Rev. D
		Type TB	Number 094574511XX		Page 1/1	

Mouser Electronics

Authorized Distributor

Click to View Pricing, Inventory, Delivery & Lifecycle Information:

HARTING:

[09457451105](#) [09457451114](#) [09457451120](#) [09457451118](#) [09457451116](#) [09457451109](#) [09457451107](#)
[09457451108](#) [09457451119](#)