

# ADTJA1101-RMII

## TJA1101 Adapter Card

# User Guide

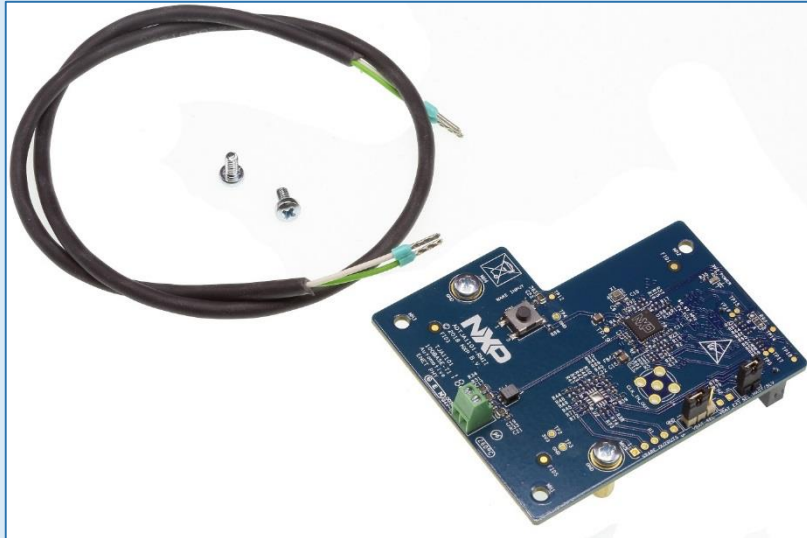
September 2018



# ADTJA1101-RMII – Getting started

## Components in the box:

- Board: [ADTJA1101-RMII](#)
- Cable: 0.5m of jacketed Unshielded Twisted Pair (UTP), automotive grade



## Get additional documentation for

- ADTJA1101-RMII
  - Gerber
  - Schematics / BoM
- TJA1101
  - Datasheet
  - Application Hints
  - Etc...

from NXP's document repository

→ [www.docstore.nxp.com](http://www.docstore.nxp.com)

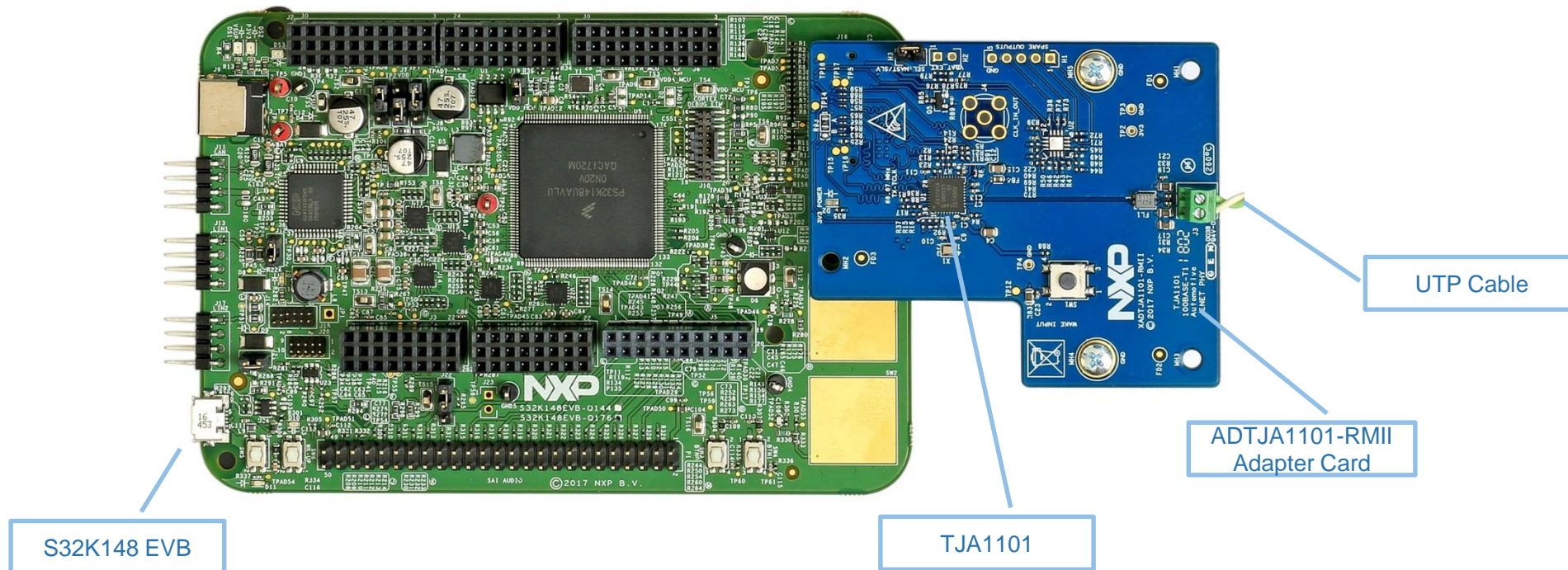
- Register (NDA required) / Login
- Navigate:
  - Products → In-Vehicle Networking → Automotive Ethernet → ADTJA1101-RMII

# SABRE Connector

- [SABRE = Smart Application Blueprint for Rapid Engineering](#)
- Accelerate your time to market with our premiere series of market-focused development systems based on application controllers: Smart Application Blueprint for Rapid Engineering (SABRE). SABRE platforms deliver the advanced technology features required for next-generation automotive systems.

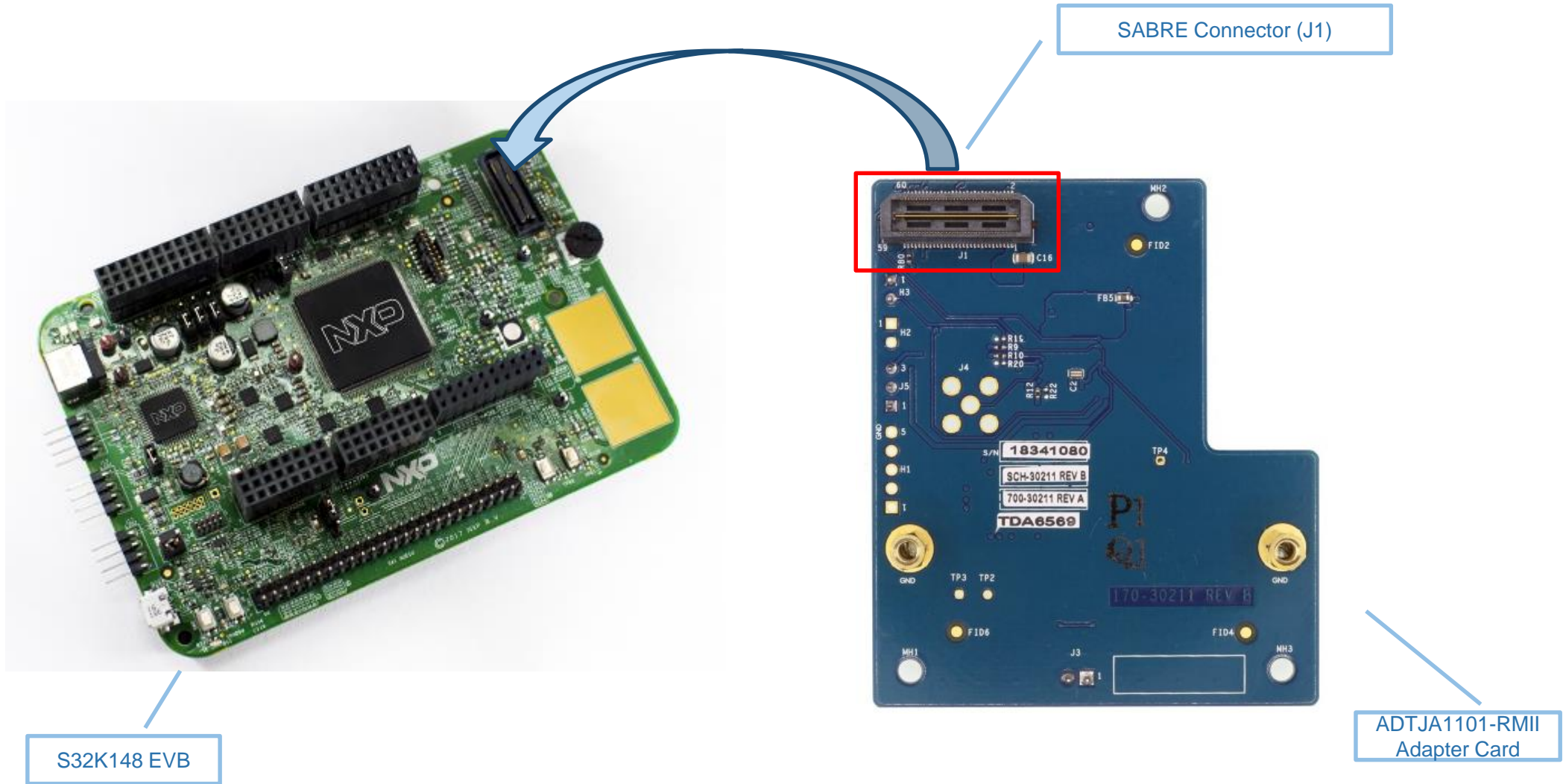
# ADTJA1101-RMII – Application

- The [ADTJA1101-RMII](#) is a daughter card carrying NXP's [TJA1101](#) 100BASE-T1 Ethernet PHY
- It adapts to micro controller development boards with SABRE connector, e.g. [S32K148EVB](#)
- The full TJA110x driver set is supported by the [S32K148EVB SDK](#).





# How to connect the SABRE enabled Boards

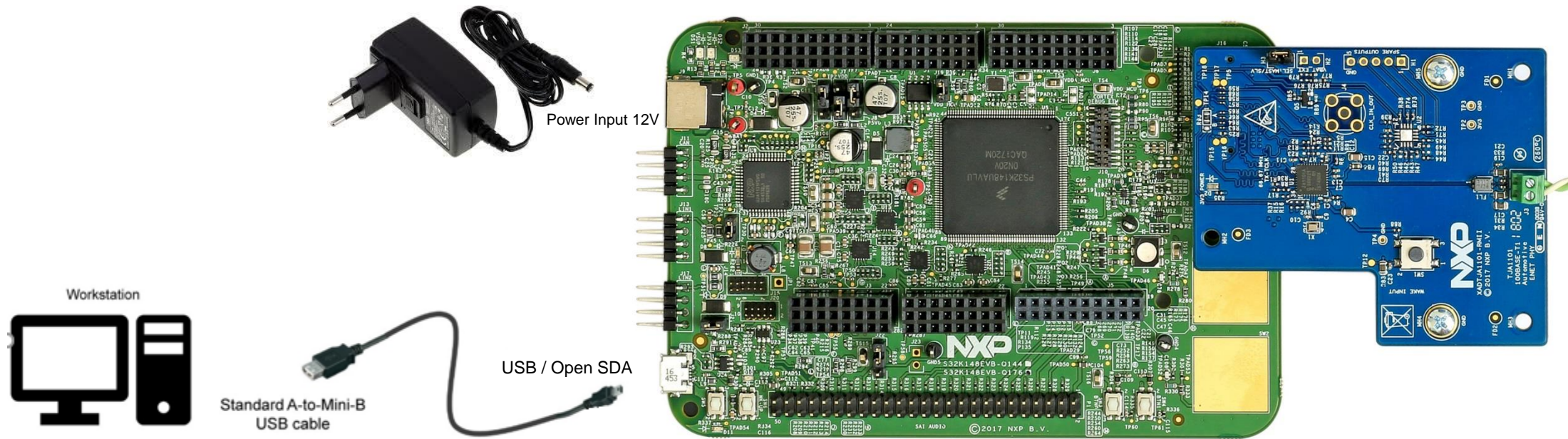


# ADTJA1101-RMII Power Up

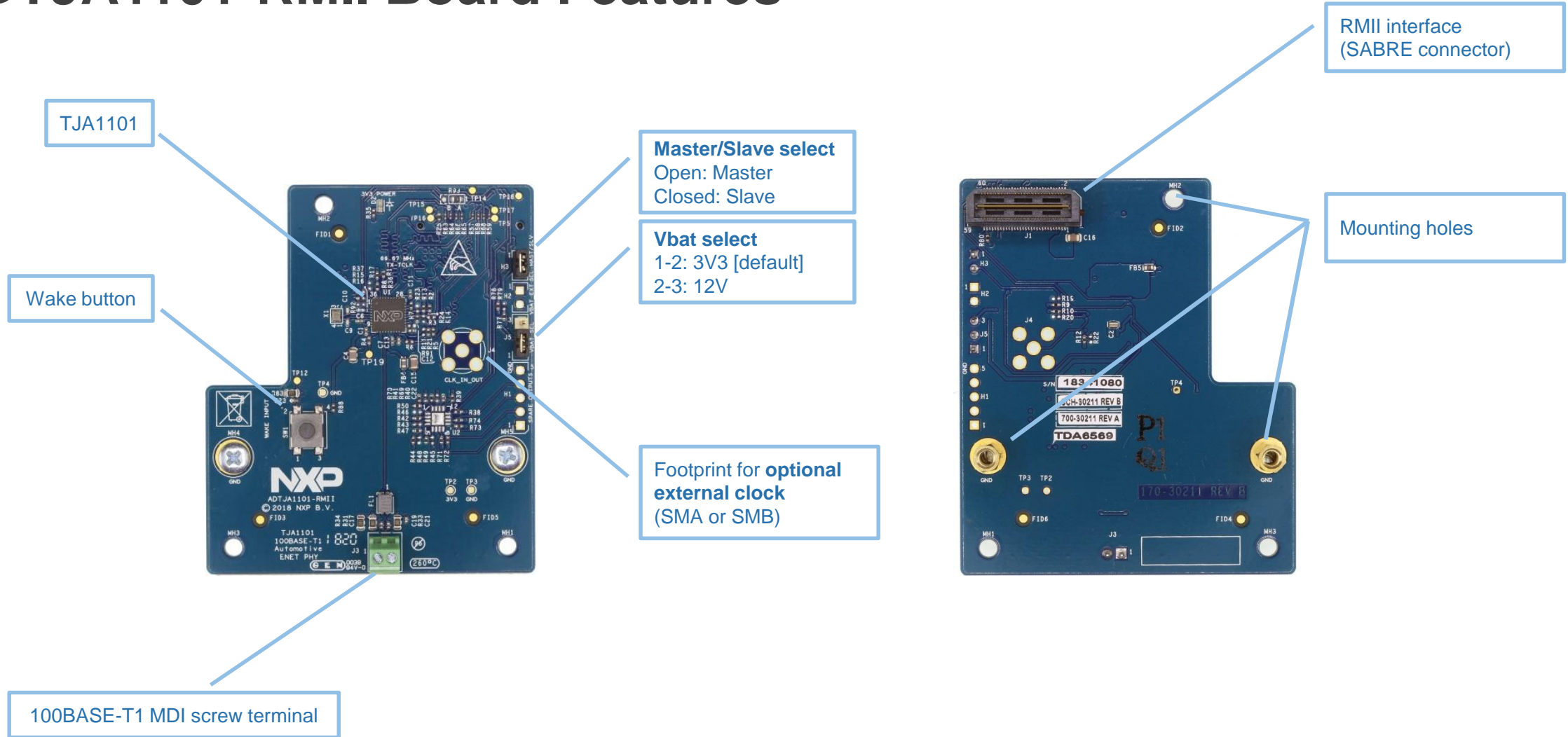
Power input options:

- Power Input 12V
- USB / Open SDA

For Jumper Settings please refer to [S32K148EVB Quick Start Guide](#)

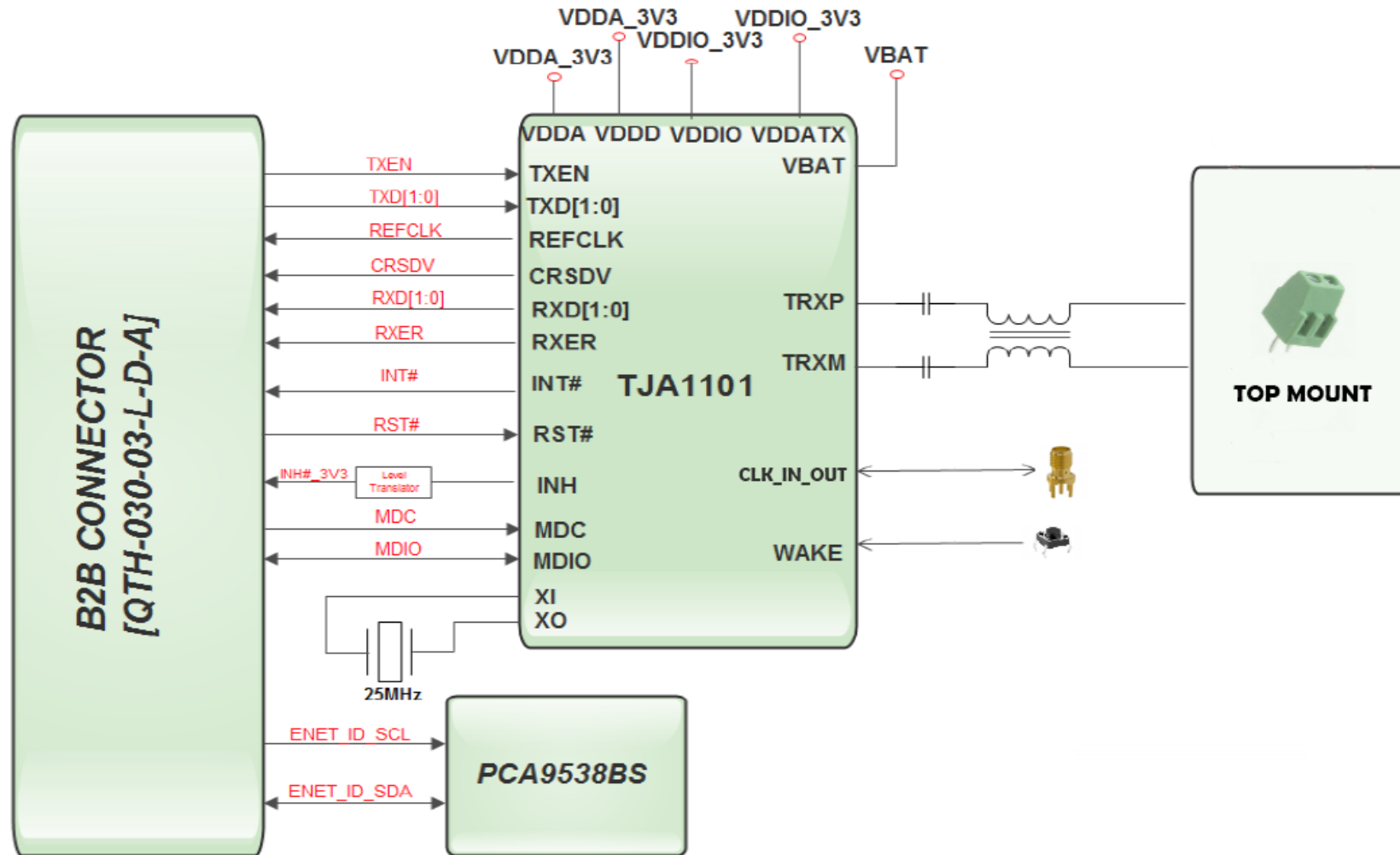


# ADTJA1101-RMII Board Features



For configuration options of TJA1101 → please refer to [product data sheet](#)

# ADTJA1101-RMII Block Diagram





# TJA110x driver pre-integration with S32K SDK

- Production grade driver support is pre-integrated with SDKs for NXP microcontrollers
- GUI configuration support in S32 Design Studio IDE  
→ see screenshot
- Supports TJA1100, TJA1101 and TJA1102(S)
  - Support for generic PHY devices using IEEE registers
- Currently supported by:
  - S32K SDK v0.8.6
  - MPC574x SDK v0.9.0
  - i.MX8 SDK (planned)
- [Download](#) S32K SDK

## GUI Driver Configuration

PHYs Shared components

PHYs list

| # | PHY                                 | PHY Type | Address | PHY Location | PHY Role          | ENET instance |
|---|-------------------------------------|----------|---------|--------------|-------------------|---------------|
| 0 | <input checked="" type="checkbox"/> | TJA110x  | 1       | External     | Master            | 0             |
| 1 | <input checked="" type="checkbox"/> | TJA110x  | 2       | External     | Slave             | 0             |
| 2 | <input checked="" type="checkbox"/> | TJA110x  | 3       | External     | Master            | 0             |
| 3 | <input checked="" type="checkbox"/> | TJA110x  | 4       | External     | Master            | 0             |
| 4 | <input checked="" type="checkbox"/> | Generic  | 8       | External     | Automatic conf... | 0             |

Details for selected row:

PHY 4

PHY Type: Generic

Address: 8

PHY Location: External

PHY Role: Automatic configuration, i.e. use the def...

ENET instance: 0

Link Up Event Callback:

Link Down Event Callback:

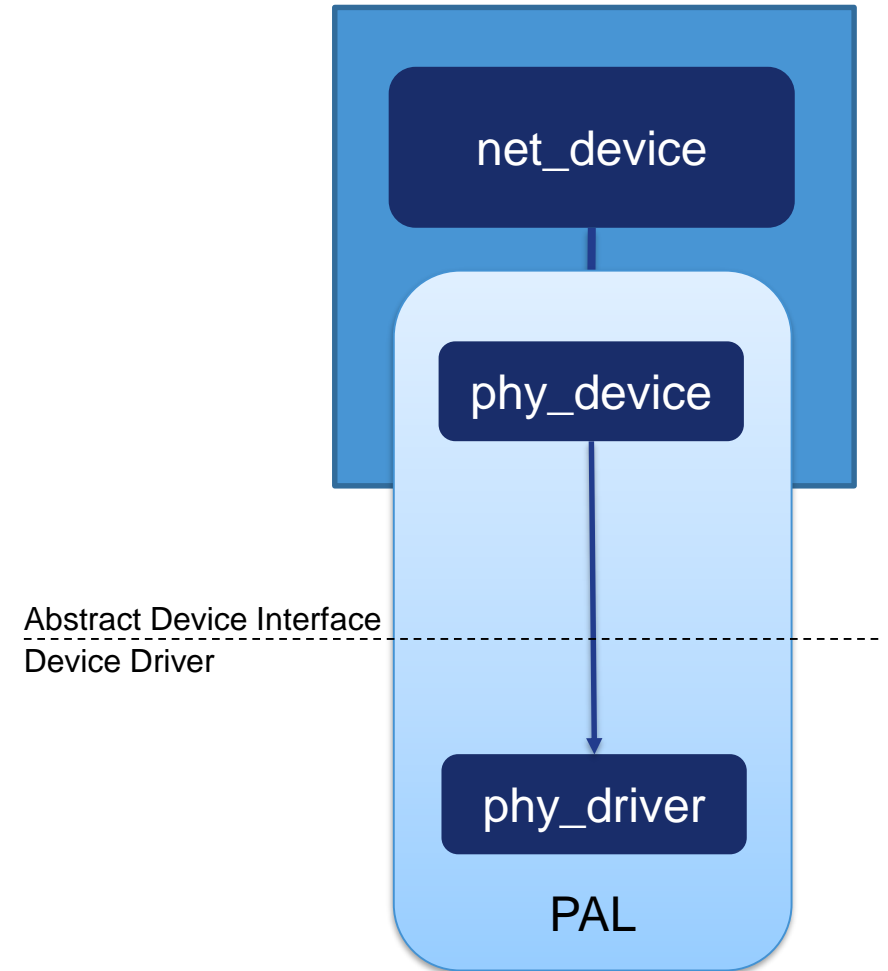
Auto-negotiation Complete Event Callback:

# Linux Driver for TJA110X

- Single Linux driver for TJA110x
- Integrates into Linux' PHY Abstraction Layer (PAL)
- Extended with automotive features
  - Support for Managed and Autonomous Mode
  - Master/Slave configuration
  - Cable Test
  - LED, Loopback and Test Modes
  - Sleep and Wakeup
- Implements polling of interrupt status register
  - Warning about and reaction to failure conditions

→ Download [here](#)

→ FAQ [here](#)



# ADTJA1101-RMII Compatible Controller Boards

- [S32K148EVB: S32K148 Evaluation Board](#)
  - Low-cost evaluation platform and development system for quick application prototyping with the S32K148 MCU belonging to the S32K series of Ultra-Reliable Microcontrollers (MCUs).
  
- i.MX8 (board to be released soon)



# NXP Link Partner Boards for 100BASE-T1 System Setup

- [SJA1105SMBEVM](#): Gateway Prototyping Platform
  - Enables early SW development for SJA1105P/Q/R/S Automotive Ethernet switch family and the TJA1102 Automotive Ethernet PHYs on a market-leading Automotive MPC5748xG MCU.
- [SJA1105Q-EVB](#): Ethernet Switch & PHY Evaluation Board
  - An evaluation system that supports the SJA1105P/Q/R/S Automotive Ethernet switch family in conjunction with the TJA1102HN Ethernet PHY Transceiver.
- [OM14500/TJA1101](#): 100BASE-T1 PHY Evaluation Board
  - Low-cost hardware development tool which supports the functional evaluation of the 100BASE-T1 PHY transceiver TJA1101.
- [FibreCode FC602 USB OABR Stick](#):
  - The FC602 USB OABR Stick functions as seamless media converter between a standard USB 2.0 interface and an automotive Ethernet network. On Windows and Linux host PCs the USB OABR Stick is detected as standard Ethernet device.

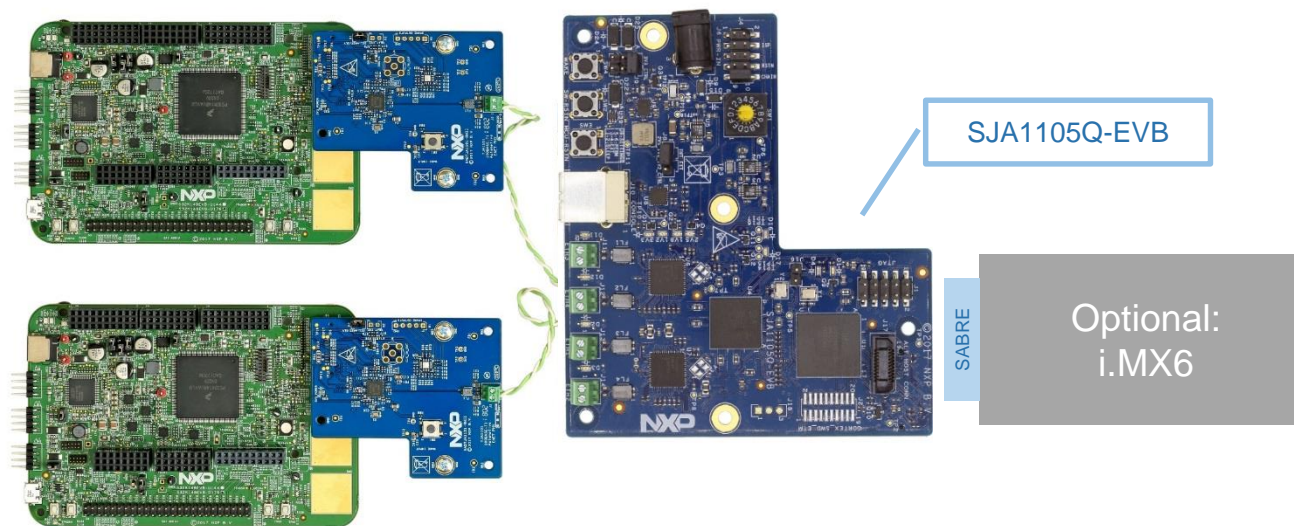


... ADTJA1101-RMII is generally interoperable to any other 100BASE-T1 link partner

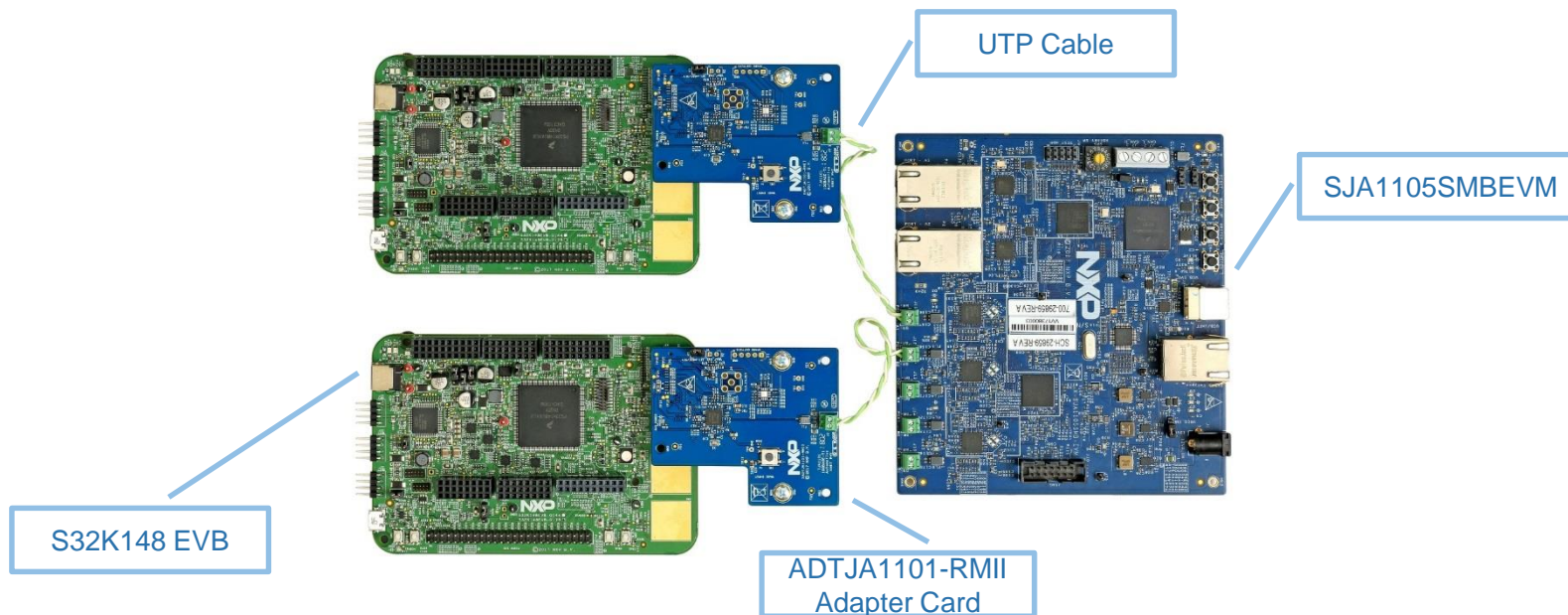


# ADTJA1101-RMII Connected System Examples

#1



#2



# NXP

SECURE CONNECTIONS  
FOR A SMARTER WORLD

