

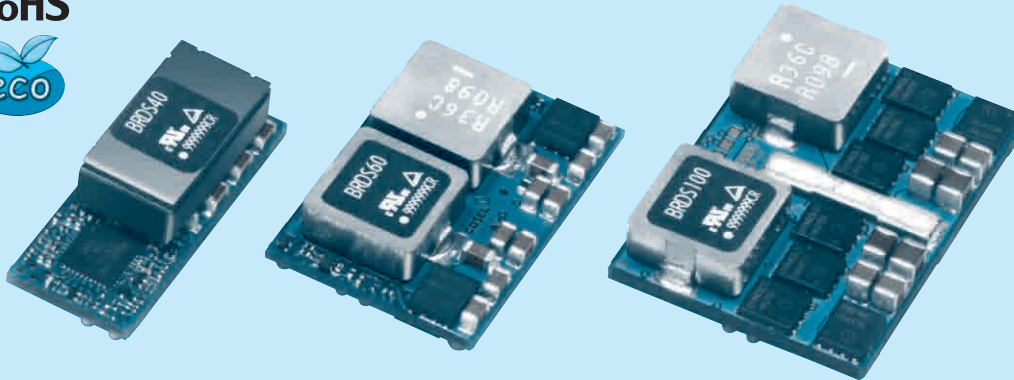
BRDS

BRD S 100 -□

① ② ③ ④



- ① Series name
- ② Single output
- ③ Output current
40:40A
60:60A
100:100A
- ④ Optional
R : Positive logic remote on/off



MODEL	BRDS40	BRDS60	BRDS100
MAX OUTPUT CURRENT[A]	40.0	60.0	100.0
DC OUTPUT	0.6 - 2.0V	0.7 - 2.0V	0.7 - 2.0V

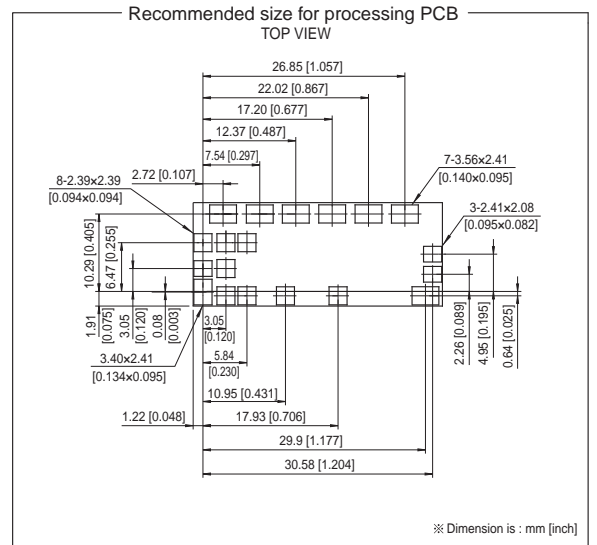
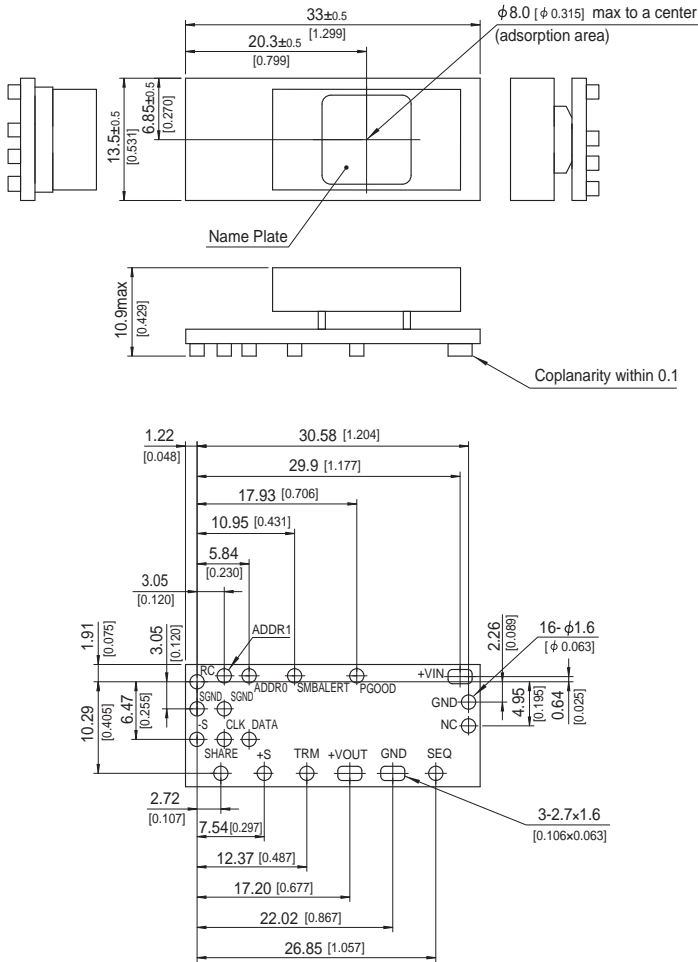
SPECIFICATIONS

	MODEL	BRDS40	BRDS60	BRDS100
INPUT	VOLTAGE[V]	DC4.5 - 14.0		
	CURRENT[A]	*1 4.52 typ	6.82 typ	11.24 typ
	EFFICIENCY[%]	*1 88.5 typ	88 typ	89 typ
OUTPUT	VOLTAGE[V]	*2 0.6 - 2.0	0.7 - 2.0	0.7 - 2.0
	CURRENT[A]	40	60	100
	LINE REGULATION[mV]	5		
	LOAD REGULATION[mV]	5		
	RIPPLE[mVp-p]	*3 25		
	RIPPLE NOISE[mVp-p]	*3 50		
	OUTPUT VOLTAGE SETTING [%Vo]	±1		
	DRIFT[mV]	*4 5		
	START-UP TIME[ms]	8.0 typ		
	OUTPUT VOLTAGE ADJUSTMENT RANGE [V]	Adjustable by external resistor		
	0.6 - 2.0	0.7 - 2.0	0.7 - 2.0	
	OUTPUT VOLTAGE TOTAL REGULATION [%Vo]*5	±3		
PROTECTION CIRCUIT AND OTHERS	OVERCURRENT PROTECTION	Works over 105% of rating (auto recovery type)		
	REMOTE SENSING	Available		
	REMOTE ON/OFF	Available Negative logic L:ON, H:OFF		
ISOLATION	INPUT-OUTPUT	non-isolated		
ENVIRONMENT	OPERATING TEMP., HUMID. AND ALTITUDE	-40 to +85°C, 20-95%RH (Non condensing) (Refer to DERATING CURVE) 3,000m (10,000feet) max		
	STORAGE TEMP., HUMID. AND ALTITUDE	-40 to +100°C, 20-95%RH (Non condensing), 9,000m (30,000feet) max		
	VIBRATION	10-55Hz, 49.0m/s ² (5G), 3minutes period, 60minutes each along X, Y and Z axis		
	IMPACT	196.1m/s ² (20G), 11ms, once each along X, Y and Z axis		
SAFETY	AGENCY APPROVALS	UL60950-1, C-UL (CSA60950-1), EN60950		
OTHERS	CASE SIZE/WEIGHT	33.0X10.9X13.5mm [1.3X0.43X0.53 inches] (W X H X D) / 12g max	33.0X8.0X22.9mm [1.3X0.31X0.9 inches] (W X H X D) / 15g max	38.0X8.5X27.7mm [1.5X0.33X1.09 inches] (W X H X D) / 22g max
	COOLING METHOD	Convection / Forced air		

*1 At rated input (DC12V) and rated output (1.2V) Ta=25°C.
 *2 Output voltage is adjusted to the minimum when TRM is opened.
 *3 Ripple and ripple noise is measured by using measuring board with ceramic capacitor at 50mm from output pin.
 *4 Drift is the change in DC output for an eight hour period after a half - hour warm - up at 25°C, with the input voltage held.
 *5 Output voltage setting is added line regulation and load regulation and temperature regulation used resistance of the 0.5% tolerance.
 * This product is subject to a license from PAI Capital LLC related to digital power technology patents owned by PAI Capital LLC.

External view

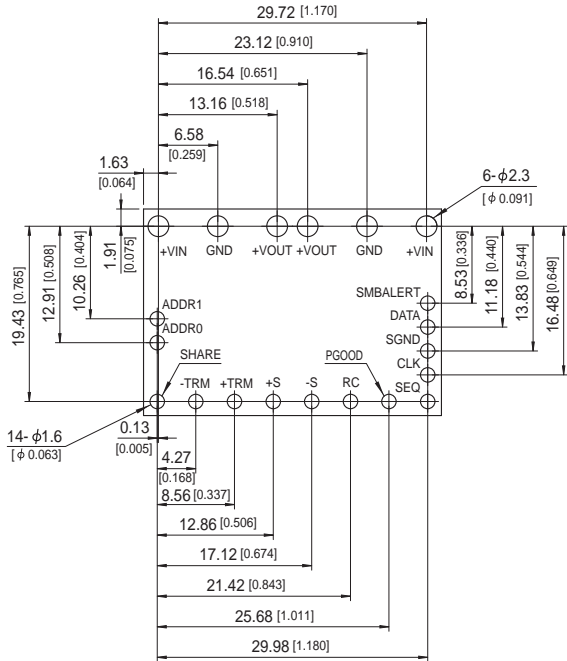
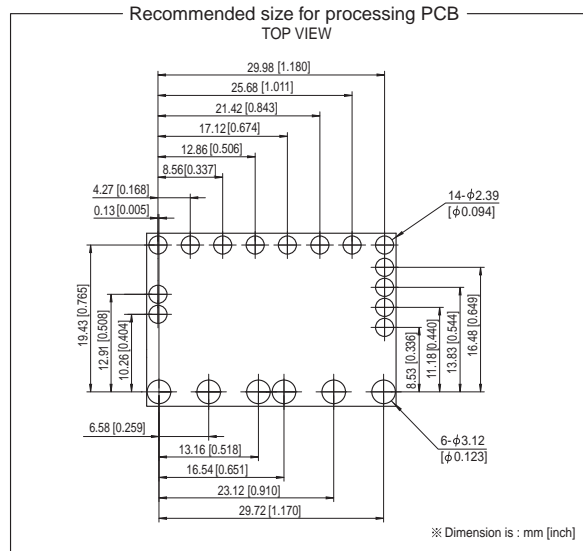
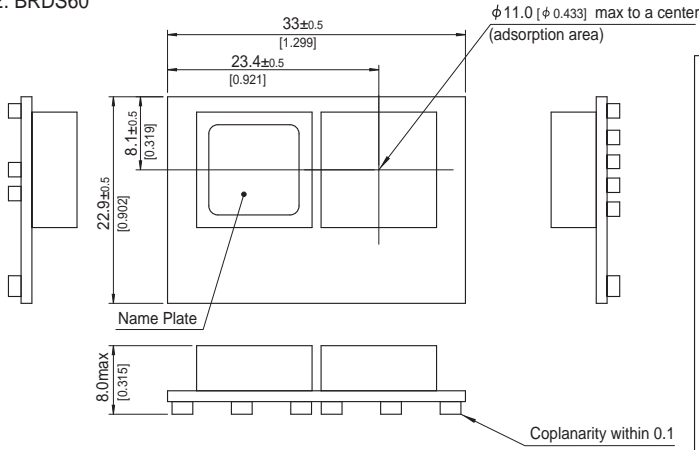
1. BRDS40



- ※ Tolerance : ± 0.3 [± 0.012]
- ※ Dimensions in mm, []=inches
- ※ Weight : 12g max
- ※ Terminal material : copper
- ※ Plating treatment of terminal : Lead free plating

External view

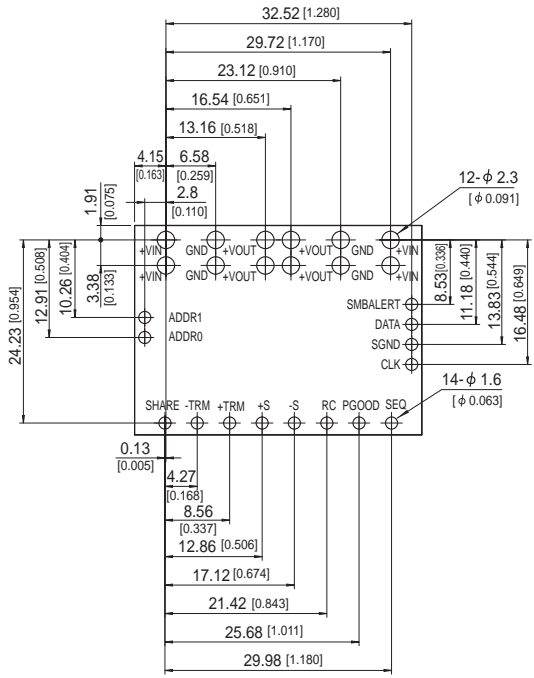
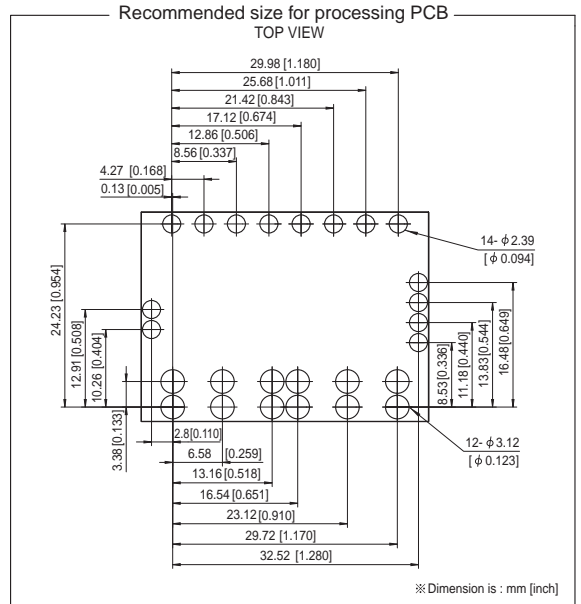
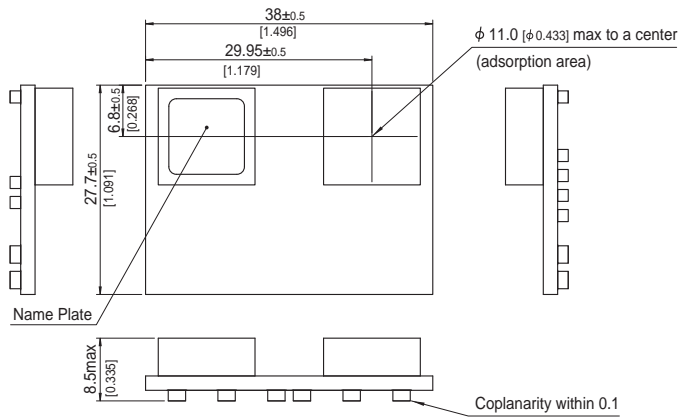
2. BRDS60



- ※ Tolerance : ±0.3 [±0.012]
- ※ Dimensions in mm, []=inches
- ※ Weight : 15g max
- ※ Terminal material : copper
- ※ Plating treatment of terminal : Lead free plating

External view

3. BRDS100



- ※ Tolerance : ± 0.3 [± 0.012]
- ※ Dimensions in mm, [] = inches
- ※ Weight : 22g max
- ※ Terminal material : copper
- ※ Plating treatment of terminal : Lead free plating

Mouser Electronics

Authorized Distributor

Click to View Pricing, Inventory, Delivery & Lifecycle Information:

Cosel:

[BRDS40-R](#) [BRDS60-R](#) [BRDS60](#) [BRDS100-R](#) [BRDS40](#) [BRDS100](#)