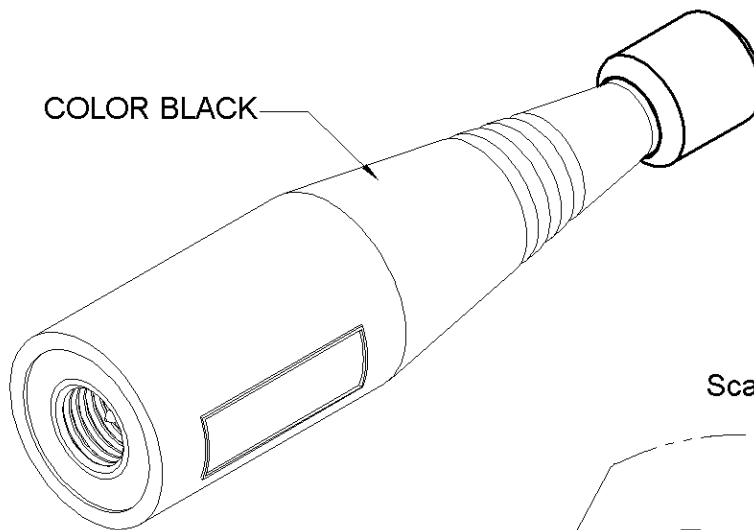
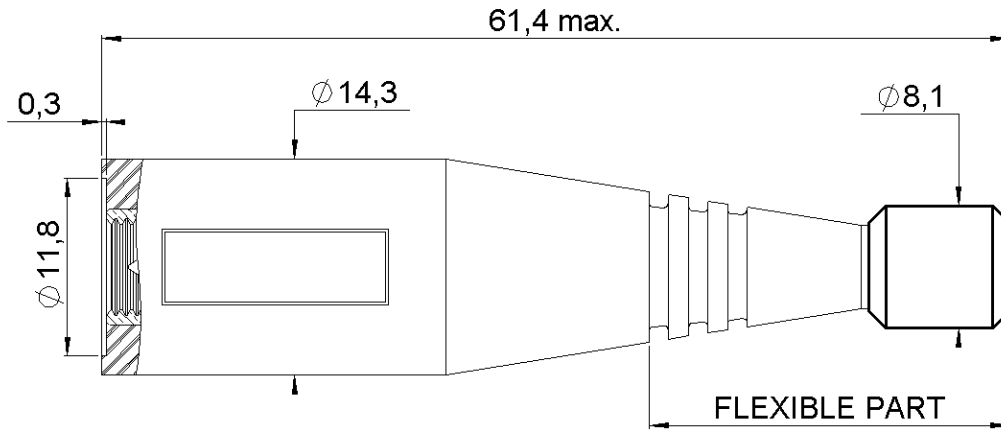


**STRAIGHT DIPOLE SMA 2.4GHZ
OMNIDIRECTIONAL ANTENNA**

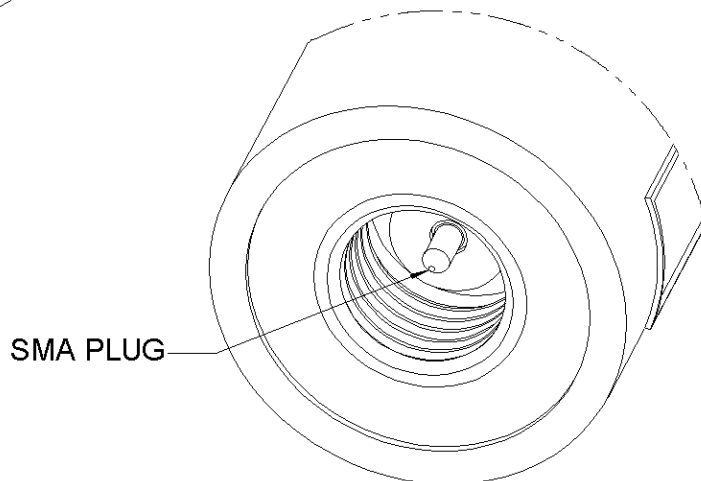
R380.500.127

Series : ANTENNA

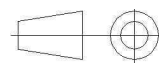
Scale 2:1



Scale 4:1



All dimensions are in mm



Issue : 0826 A

In the effort to improve our products, we reserve the right to make changes judged to be necessary.

**STRAIGHT DIPOLE SMA 2.4GHZ
OMNIDIRECTIONAL ANTENNA**

R380.500.127

Series : ANTENNA

ELECTRICAL CHARACTERISTICS

Frequency : **2.4-2.5 GHz**
Nominal Impedance : **50 Ω**
VSWR : **1.5:1 Max**

Gain (Overall gain) : **2 dBi**

Radiation Pattern : **Omni-directional in the horizontal plane**

Polarization : **VERTICAL**

Power withstanding : **1 W Max**

Connector type : **SMA Plug (gold plated)**

MECHANICAL CHARACTERISTICS

Plastic radome : **HYTREL G 3548 L**
Color : **BLACK**

Ingress Protection : **IP 68**

Weight : **10.1 g**
Overall length : **61.4 mm**
Flexibility : **100 Cycles ± 180°**
Pull Force : **15 lb.**
Torque Resistance : **1.6 in-lb.**

Flammability : **UL94-HB**
Drop test resistance : **5 ft drop to concrete (x30) mounted of a
800 g handheld terminal**

Issue : 0826 A

In the effort to improve our products, we reserve the right to make changes judged to be necessary.

RADIAL 

**STRAIGHT DIPOLE SMA 2.4GHZ
OMNIDIRECTIONAL ANTENNA**

R380.500.127

Series : ANTENNA

TESTS MECHANICAL

Test report n° 2003-13-9245

ENVIRONMENTAL CHARACTERISTICS

Operating temperature : **-30/+55 ° C**

Storage temperature : **-40/+70 ° C**

TESTS ENVIRONMENTAL

Test report n° 2003-19-8353

In accordance with the DEF STAN 00-35

PACKAGING

Standard	Unit	Other
20	'W' option	Contact us

Issue : 0826 A

In the effort to improve our products, we reserve the right to make changes judged to be necessary.

RADIAL 