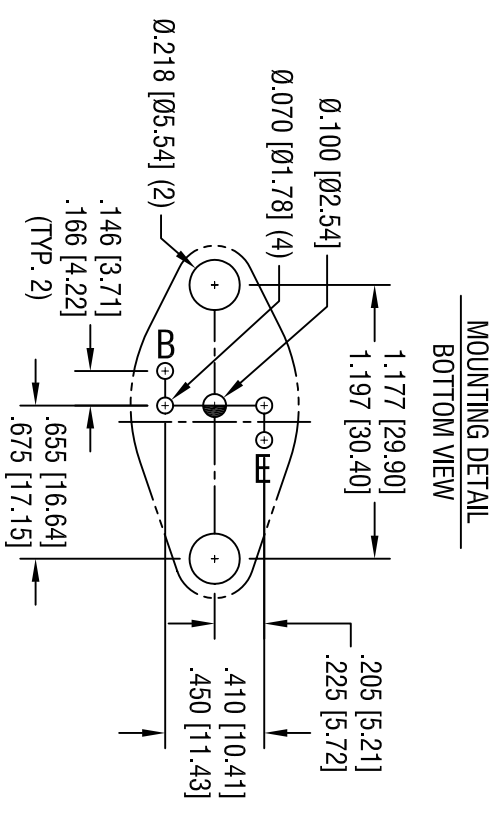
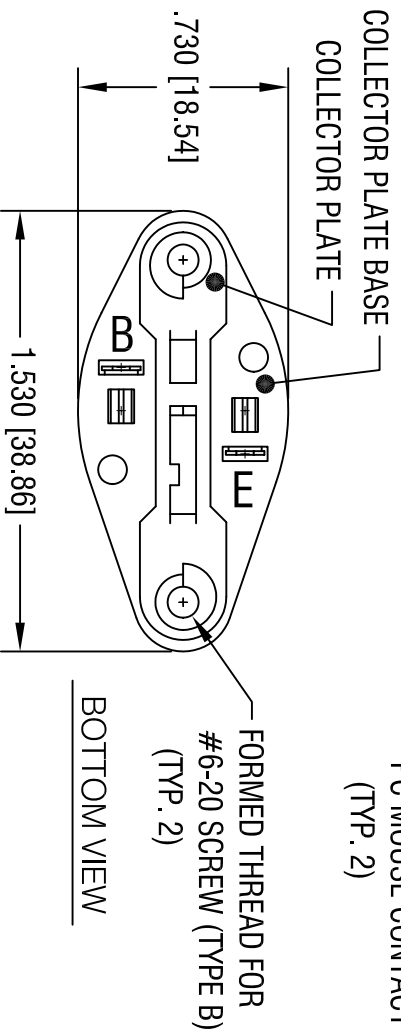
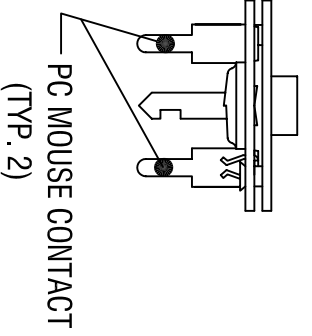
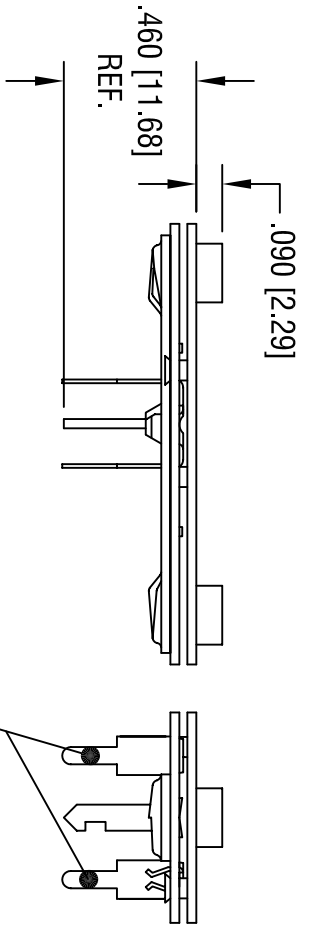
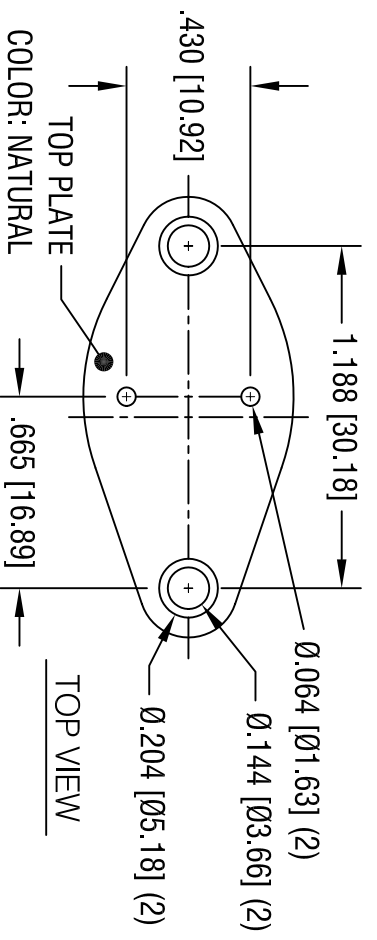


DATE	DESCRIPTION	REV.
10.1.03	CHANGE AS PER ECN 03-071	A



NOTES:

- 1. TOP PLATE: COLOR - NATURAL
- MAT'L - NYLON 6/6 UL 94V-2
- COLLECTOR PLATE BASE:
- MAT'L - .032 [0.81] THK PHENOLIC

- COLLECTOR PLATE:
- MAT'L - .032 [0.81] THK STEEL
- FINISH - TIN PLATE
- PC MOUSE CONTACT:
- MAT'L - .013 [0.33] THK BRASS
- FINISH - TIN PLATE

THIS DOCUMENT IS THE PROPERTY OF KEYSTONE ELECTRONICS CORP. AND SHALL NOT BE REPRODUCED, DISTRIBUTED OR USED AS A BASIS FOR MANUFACTURE WITHOUT PRIOR WRITTEN PERMISSION FROM KEYSTONE ELECTRONICS CORP.

KEYSTONE ELECTRONICS CORP.			
ASTORIA, N.Y. 11105-2017			
PART NAME		TO-3 POWER TRANSISTOR SOCKET	
MATERIAL		AS NOTED	
FINISH		AS NOTED	
TOLERANCES	INCH	[MM]	CODE
DECIMAL	± .005	[± 0.15]	C
ANGULAR	± 1°		
DWN BY		DATE	
BOONE		3.18.91	
APP'D		SCALE	
LN		1.5X	
DWG NO.		4600	