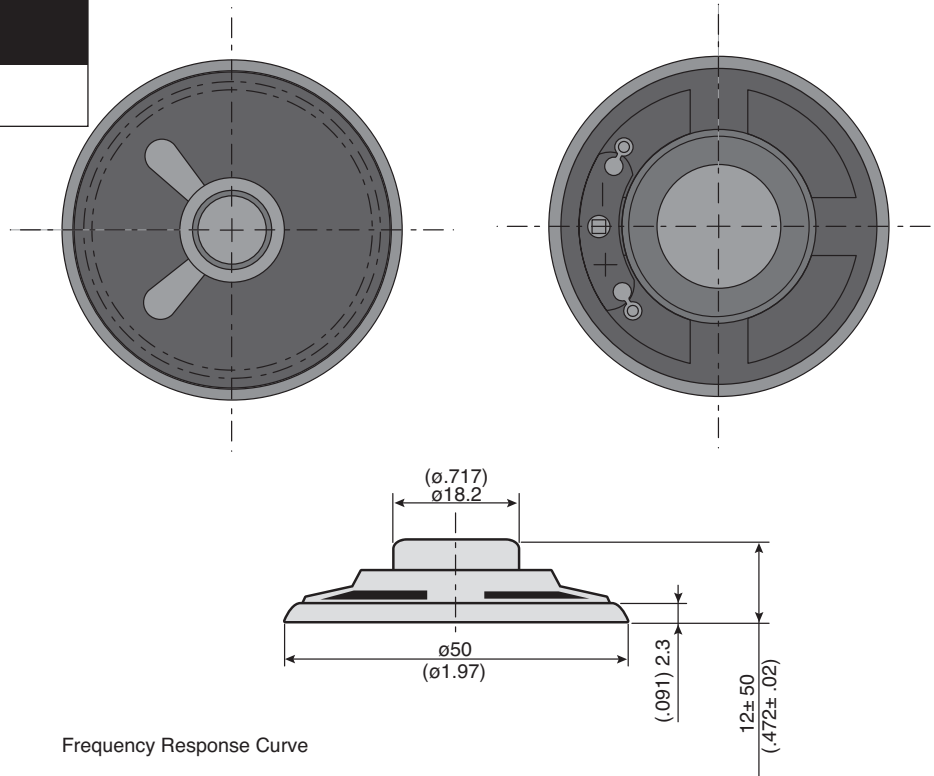
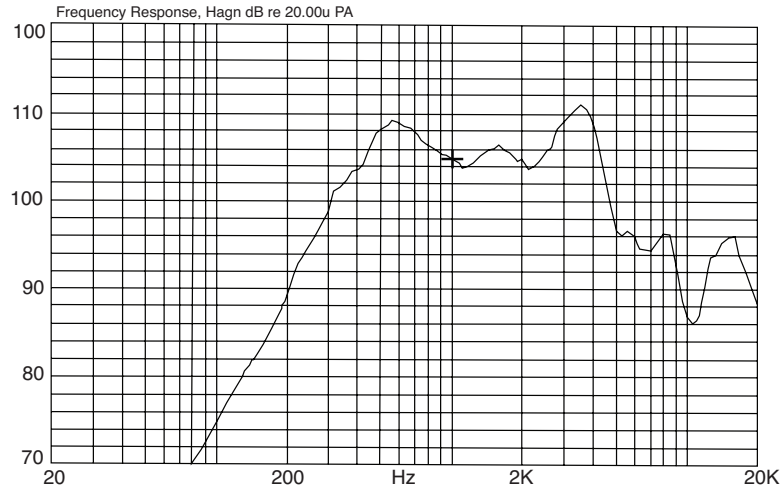


Part Number:

254-DS508-RO



Frequency Response Curve



Dynamic Speaker

KT-400342

Electrical Specifications:

- Rated Input Power: 1.0 W
- Max. Input Power: 1.3 W For 1Min.
- Impedance: $8\Omega \pm 15\%$ at 2KHz IV
- Resonant Frequency (Fo): $500\text{Hz} \pm 20\%$ at Fo, 1V
- Sound Pressure Level: $84\text{db} \pm 3\text{db}$
- Frequency Range: Fo – 5KHz

Material:

- Magnet: NdFeB

Mechanical Specifications:

- Operating Temperature: -20°C to $+60^\circ\text{C}$
- Storage Temperature: -30°C to $+70^\circ\text{C}$

Note:

- RoHS Compliant