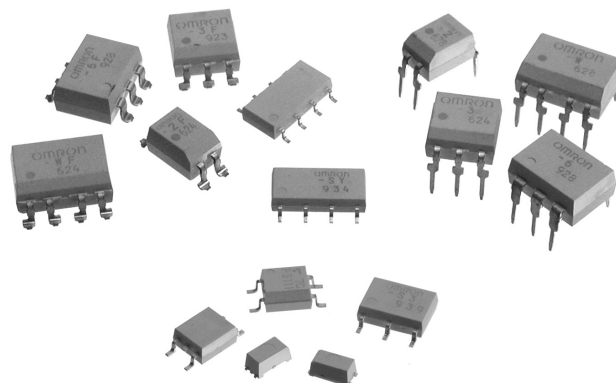


# MOS FET Relays G3VM Series

## Wide Range of Contact Forms, Sizes and Package Types

- Controls load voltages up to 600 V.
- Terminal packages include PCB through-hole, SMT gullwing, SOP, and SSOP.
- Low ON-resistance, low output capacitance, current limiting, and high dielectric (5000 VAC) models available.
- Packaged for efficient automatic insertion: PCB through-hole and SMT are in tubes; tape-and-reel packaging is standard for SOP and SSOP models, and optional for SMT models ("TR" suffix).
- Complete specifications follow, divided by Package Type, Terminals and Contact Form.



## Typical Applications

### ■ Communications

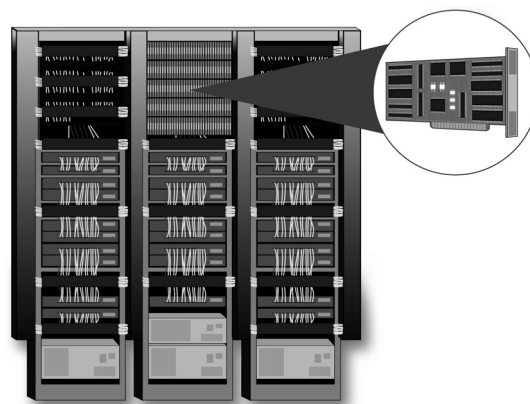
- Local area network equipment
- Central office circuit boards for subscriber line interfaces, multiplexers and other routing equipment
- Wireless communications for cell phones and pagers
- Set-top TV boxes with internal modems
- Fax machines
- PCMCIA card
- Internal modems for PDA equipment and laptop computers

### ■ Test & Measurement

- Board testers
- IC testers
- Portable voltage testers

### ■ Security

- Alarm control boards
- Home security systems
- Garage door openers



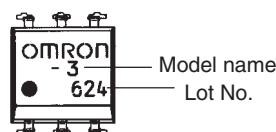
# Selection Guide

Load voltage	Contact form	Package/Terminal shape	No. of terminals	Model	Load current (mA)	Voltage withstand (VAC)	ON resistance (max.)	Output capacitance	Additional features	Page no.				
20V	1 Form A	SMT	8	<b>G3VM-22FO</b>	150	2,500	4 Ω	8 pF (typ.)	Low ON resistance	62				
			4	<b>G3VM-21GR</b>	160	1,500	8 Ω	2.5 pF (max.)	Low pF•Ω	70				
		SSOP	4	<b>G3VM-21GR1</b>	300	1,500	1.5 Ω	12 pF (max.)	Low pF•Ω	70				
			4	<b>G3VM-21LR</b>	150	1,500	8 Ω	12 pF (max.)	—	88				
				<b>G3VM-21LR1</b>	300	1,500	1.5 Ω	12 pF (max.)	Low pF•Ω	88				
40V	1 Form A	SOP	4	<b>G3VM-41GR3</b>	80	1,500	37 Ω	1.4 pF (max.)	—	72				
				<b>G3VM-41GR4</b>	250	1,500	3 Ω	7 pF (max.)	Low pF•Ω	74				
				<b>G3VM-41GR5</b>	300	1,500	1.5 Ω	14 pF (max.)	Low pF•Ω	74				
				<b>G3VM-41GR6</b>	120	1,500	15 Ω	2 pF (max.)	Low pF•Ω	74				
		SSOP	4	<b>G3VM-41LR3</b>	80	1,500	35 Ω	1.4 pF (max.)	—	88				
				<b>G3VM-41LR4</b>	250	1,500	3 Ω	7 pF (max.)	Low pF•Ω	90				
				<b>G3VM-41LR5</b>	300	1,500	1.5 Ω	14 pF (max.)	Low pF•Ω	90				
				<b>G3VM-41LR6</b>	120	1,500	15 Ω	2 pF (max.)	Low pF•Ω	90				
				60V	1 Form A	Thru-hole	4	<b>G3VM-61A</b>	500	2,500	2 Ω	140 pF (max.)	Low ON resistance	32
								<b>G3VM-61A1</b>	500	2,500	2 Ω	130 pF (typ.)	Low ON resistance	34
6	<b>G3VM-61B</b>	500	2,500	2 Ω	140 pF (max.)		Low ON resistance	38						
	<b>G3VM-61B1</b>	500	2,500	2 Ω	130 pF (typ.)		Low ON resistance	40						
	<b>G3VM-V</b>	300	2,500	2 Ω	170 pF (typ.)		Low ON resistance	40						
8	<b>G3VM-61CP</b>	500	2,500	0.6 Ω	500 pF (max.)		Low ON resistance	42						
	<b>G3VM-61CR</b>	2000	1,500	0.12 Ω	1400 pF (max.)		Low ON resistance	44						
SMT	4	<b>G3VM-61D</b>	500	2,500	2 Ω		140 pF (max.)	Low ON resistance	52					
		<b>G3VM-61D1</b>	500	2,500	2 Ω		130 pF (typ.)	Low ON resistance	54					
		6	<b>G3VM-61E</b>	500	2,500		2 Ω	140 pF (max.)	Low ON resistance	58				
			<b>G3VM-61E1</b>	500	2,500		2 Ω	130 pF (typ.)	Low ON resistance	60				
60 V	1 Form A	SMT	6	<b>G3VM-VF</b>	300		2,500	2 Ω	170 pF (typ.)	Low ON resistance	60			
				8	<b>G3VM-61FP</b>	500	2,500	0.6 Ω	500 pF (max.)	Low ON resistance	64			
					<b>G3VM-61FR</b>	2000	1,500	0.12 Ω	1400 pF (max.)	Low ON resistance	64			
			SOP	4	<b>G3VM-61G1</b>	400	1,500	2 Ω	130 pF (typ.)	Low ON resistance	76			
					<b>G3VM-S1</b>	400	1,500	2 Ω	140 pF (max.)	Low ON resistance	76			
					<b>G3VM-61H1</b>	400	1,500	2 Ω	130 pF (typ.)	Low ON resistance	80			
		2 Form A	Thru-hole	8	<b>G3VM-62C1</b>	500	2,500	2 Ω	130 pF (typ.)	Low ON resistance	46			
					SMT	<b>G3VM-62F1</b>	500	2,500	2 Ω	130 pF (typ.)	Low ON resistance	66		
						SOP	<b>G3VM-62J1</b>	400	1,500	2 Ω	130 pF (typ.)	Low ON resistance	84	
		<b>G3VM-SY</b>	300	1,500	2 Ω		140 pF (max.)	Low ON resistance	86					
		80 V	1 Form A	SOP	4	<b>G3VM-81G1</b>	350	1,500	1.2 Ω	40 pF (max.)	Low ON resistance	76		
					6	<b>G3VM-81HR</b>	1250	1,500	0.15 Ω	1000 pF (max.)	Low ON resistance	80		
200 V	1 Form A	SOP	4	<b>G3VM-S5</b>	150	1,500	8 Ω	100 pF (typ.)	—	78				

Load voltage	Contact form	Package/ Terminal shape	No. of terminals	Model	Load current (mA)	Voltage withstand (VAC)	ON resistance (max.)	Output capacitance	Additional features	Page no.			
350 V	1 Form A	Thru-hole	4	G3VM-2	120	2,500	35 Ω	75 pF (typ.)	—	30			
				G3VM-2L	120	2,500	35 Ω	75 pF (typ.)	Current limiting	30			
				G3VM-351A	120	2,500	35 Ω	30 pF (typ.)	—	30			
			6	G3VM-351B	120	2,500	35 Ω	30 pF (typ.)	—	34			
				G3VM-3	120	2,500	35 Ω	75 pF (typ.)	—	36			
				G3VM-3L	120	2,500	35 Ω	75 pF (typ.)	Current limiting	36			
350 V	1 Form A	SMT	4	G3VM-2F	120	2,500	35 Ω	75 pF (typ.)	—	50			
				G3VM-2FL	120	2,500	35 Ω	75 pF (typ.)	Current limiting	50			
				G3VM-351D	120	2,500	35 Ω	30 pF (typ.)	—	50			
			6	G3VM-351E	120	2,500	35 Ω	30 pF (typ.)	—	54			
				G3VM-3F	120	2,500	35 Ω	75 pF (typ.)	—	56			
				G3VM-3FL	120	2,500	35 Ω	75 pF (typ.)	Current limiting	56			
		SOP	4	G3VM-351G	110	1,500	35 Ω	30 pF (typ.)	—	70			
				G3VM-S2	120	1,500	35 Ω	75 pF (typ.)	—	78			
				G3VM-351H	110	1,500	35 Ω	30 pF (typ.)	—	78			
			6	G3VM-S3	120	1,500	35 Ω	75 pF (typ.)	—	82			
				1 Form A +	Thru-hole	8	G3VM-355CR	120	2,500	25 Ω	65 pF (typ.)	—	44
							G3VM-355FR	120	2,500	25 Ω	65 pF (typ.)	—	64
	1 Form B	SOP	8	8	G3VM-355JR	120	2,500	25 Ω	65 pF (typ.)	—	82		
					2 Form A	Thru-hole	8	G3VM-352C	120	2,500	35 Ω	30 pF (typ.)	—
	G3VM-W	120	2,500	35 Ω				75 pF (typ.)	—	46			
	G3VM-WL	120	2,500	35 Ω				75 pF (typ.)	Current limiting	48			
	SMT	8	G3VM-352F	120		2,500	35 Ω	30 pF (typ.)	—	66			
			G3VM-WF	120		2,500	35 Ω	75 pF (typ.)	—	68			
			G3VM-WFL	120		2,500	35 Ω	75 pF (typ.)	Current limiting	68			
	SOP	8	G3VM-352J	110	1,500	35 Ω	30 pF (typ.)	—	82				
			G3VM-SW	120	1,500	35 Ω	75 pF (typ.)	—	84				
1 Form B	Thru-hole	4	4	G3VM-353A	150	2,500	25 Ω	100 pF (typ.)	—	32			
				6	G3VM-353B	150	2,500	25 Ω	100 pF (typ.)	—	34		
		SMT	4		4	G3VM-353D	150	2,500	25 Ω	100 pF (typ.)	—	52	
				6		G3VM-353E	150	2,500	25 Ω	100 pF (typ.)	—	54	
		350 V	1 Form B		SOP	4	G3VM-353G	120	1,500	25 Ω	130 pF (typ.)	—	72
				6			G3VM-353H	120	1,500	25 Ω	65 pF (typ.)	—	80
2 Form B	Thru-hole				8	G3VM-354C	120	2,500	35 Ω	100 pF (typ.)	—	48	
				G3VM-354F		120	2,500	35 Ω	100 pF (typ.)	—	68		
	SOP			8	G3VM-354J	120	1,500	25 Ω	65 pF (typ.)	—	86		
					400 V	1 Form A	Thru-hole	4	G3VM-401A	120	2,500	35 Ω	70 pF (typ.)
6	G3VM-401B	120	2,500	35 Ω					75 pF (typ.)	—	36		
	G3VM-401BY	120	5,000	35 Ω					75 pF (typ.)	High I/O isolation	38		
SMT	4	G3VM-401D	120	2,500			35 Ω	70 pF (typ.)	—	52			
		6	G3VM-401E	120			2,500	35 Ω	75 pF (typ.)	—	56		
			G3VM-401EY	120			5,000	35 Ω	75 pF (typ.)	High I/O isolation	58		
SOP	4	G3VM-401G	120	1,500	35 Ω	70 pF (typ.)	—	72					
		2 Form A	Thru-hole	8	G3VM-402C	120	2,500	35 Ω	70 pF (typ.)	—	46		
					SMT	8	G3VM-402F	120	2,500	35 Ω	70 pF (typ.)	—	66
SOP	8						G3VM-402J	120	2,500	35 Ω	70 pF (typ.)	—	84
		600 V	1 Form A	Thru-hole	6	G3VM-601BY	100	5,000	45 Ω	100 pF (typ.)	High I/O isolation	38	
SMT	6					G3VM-601EY	100	5,000	35 Ω	100 pF (typ.)	High I/O isolation	58	

# Part Number Index and Ordering Information

Note: "G3VM" is not printed on the actual product.



The following tables show standard quantities of G3VM relays as shipped in tubes or tape-and-reel packaging. Dimensions for tape-and-reel parts are shown in individual data sheets that follow.

Description	Packaging	Standard pack quantity	Model	Page no.
MOSFET THRU-HOLE RELAY	Tube	50	G3VM-2	30
MOSFET SMT RELAY	Tube	50	G3VM-2F	50
MOSFET SMT RELAY	Tape-and-reel	1500	G3VM-2F(TR)	50
MOSFET SMT RELAY	Tube	50	G3VM-2FL	50
MOSFET SMT RELAY	Tape-and-reel	1500	G3VM-2FL(TR)	50
MOSFET THRU-HOLE RELAY	Tube	50	G3VM-2L	30
MOSFET SOP RELAY	Tube	50	G3VM-21GR	70
MOSFET SOP RELAY	Tape-and-reel	2500	G3VM-21GR(TR)	70
MOSFET SOP RELAY	Tube	50	G3VM-21GR1	70
MOSFET SOP RELAY	Tape-and-reel	2500	G3VM-21GR1(TR)	70
MOSFET SSOP RELAY	Tape-and-reel	1500	G3VM-21LR	88
MOSFET SSOP RELAY	Tape-and-reel	1500	G3VM-21LR1	88
MOSFET SMT RELAY	Tube	50	G3VM-22FO	62
MOSFET SMT RELAY	Tape-and-reel	1500	G3VM-22FO(TR)	62
MOSFET THRU-HOLE RELAY	Tube	50	G3VM-3	36
MOSFET SMT RELAY	Tube	50	G3VM-3F	56
MOSFET SMT RELAY	Tape-and-reel	1500	G3VM-3F(TR)	56
MOSFET SMT RELAY	Tube	50	G3VM-3FL	56
MOSFET SMT RELAY	Tape-and-reel	1500	G3VM-3FL(TR)	56
MOSFET THRU-HOLE RELAY	Tube	50	G3VM-3L	36
MOSFET THRU-HOLE RELAY	Tube	50	G3VM-351A	30
MOSFET THRU-HOLE RELAY	Tube	50	G3VM-351B	34
MOSFET SMT RELAY	Tube	50	G3VM-351D	50
MOSFET SMT RELAY	Tape-and-reel	1500	G3VM-351D(TR)	50
MOSFET SMT RELAY	Tube	50	G3VM-351E	54
MOSFET SMT RELAY	Tape-and-reel	1500	G3VM-351E(TR)	54
MOSFET SOP RELAY	Tube	50	G3VM-351G	70
MOSFET SOP RELAY	Tape-and-reel	2500	G3VM-351G(TR)	70
MOSFET SOP RELAY	Tube	50	G3VM-351H	78
MOSFETSOP RELAY	Tape-and-reel	2500	G3VM-351H(TR)	78
MOSFET THRU-HOLE RELAY	Tube	50	G3VM-352C	44
MOSFET SMT RELAY	Tube	50	G3VM-352F	66
MOSFET SMT RELAY	Tape-and-reel	1500	G3VM-352F(TR)	66
MOSFET SOP RELAY	Tube	50	G3VM-352J	82
MOSFET SOP RELAY	Tape-and-reel	2500	G3VM-352J(TR)	82

Description	Packaging	Standard pack quantity	Model	Page no.
MOSFET THRU-HOLE RELAY	Tube	50	G3VM-353A	32
MOSFET THRU-HOLE RELAY	Tube	50	G3VM-353B	34
MOSFET SMT RELAY	Tube	50	G3VM-353D	52
MOSFET SMT RELAY	Tape-and-reel	1500	G3VM-353D(TR)	52
MOSFET SMT RELAY	Tube	50	G3VM-353E	54
MOSFET SMT RELAY	Tape-and-reel	1500	G3VM-353E(TR)	54
MOSFET SOP RELAY	Tube	50	G3VM-353G	72
MOSFET SOP RELAY	Tape-and-reel	2500	G3VM-353G(TR)	72
MOSFET SOP RELAY	Tube	50	G3VM-353H	80
MOSFET SOP RELAY	Tape-and-reel	2500	G3VM-353H(TR)	80
MOSFET THRU-HOLE RELAY	Tube	50	G3VM-354C	48
MOSFET SMT RELAY	Tube	50	G3VM-354F	68
MOSFET SMT RELAY	Tape-and-reel	1500	G3VM-354F(TR)	68
MOSFET SOP RELAY	Tube	50	G3VM-354J	86
MOSFET SOP RELAY	Tape-and-reel	2500	G3VM-354J(TR)	86
MOSFET THRU-HOLE RELAY	Tube	50	G3VM-355CR	44
MOSFET SMT RELAY	Tube	50	G3VM-355FR	64
MOSFET SMT RELAY	Tape-and-reel	1500	G3VM-355FR(TR)	64
MOSFET SOP RELAY	Tube	50	G3VM-355JR	82
MOSFET SOP RELAY	Tape-and-reel	2500	G3VM-355JR(TR)	82
MOSFET SOP RELAY	Tube	50	G3VM-41GR3	72
MOSFET SOP RELAY	Tape-and-reel	2500	G3VM-41GR3(TR)	72
MOSFET SOP RELAY	Tube	50	G3VM-41GR4	74
MOSFET SOP RELAY	Tape-and-reel	2500	G3VM-41GR4(TR)	74
MOSFET SOP RELAY	Tube	50	G3VM-41GR5	74
MOSFET SOP RELAY	Tape-and-reel	2500	G3VM-41GR5(TR)	74
MOSFET SOP RELAY	Tube	50	G3VM-41GR6	74
MOSFET SOP RELAY	Tape-and-reel	2500	G3VM-41GR6(TR)	74
MOSFET SSOP RELAY	Tape-and-reel	1500	G3VM-41LR3	88
MOSFET SSOP RELAY	Tape-and-reel	1500	G3VM-41LR4	90
MOSFET SSOP RELAY	Tape-and-reel	1500	G3VM-41LR5	90
MOSFET SSOP RELAY	Tape-and-reel	1500	G3VM-41LR6	90
MOSFET THRU-HOLE RELAY	Tube	50	G3VM-401A	32
MOSFET THRU-HOLE RELAY	Tube	50	G3VM-401B	36
MOSFET THRU-HOLE RELAY	Tube	50	G3VM-401BY	38
MOSFET SMT RELAY	Tube	50	G3VM-401D	52
MOSFET SMT RELAY	Tape-and-reel	1500	G3VM-401D(TR)	52
MOSFET SMT RELAY	Tube	50	G3VM-401E	56
MOSFET SMT RELAY	Tape-and-reel	1500	G3VM-401E(TR)	56
MOSFET SMT RELAY	Tube	50	G3VM-401EY	58
MOSFET SMT RELAY	Tape-and-reel	1500	G3VM-401EY(TR)	58

This table continues on the next page.

Description	Packaging	Standard pack quantity	Model	Page no.
MOSFET SOP RELAY	Tube	50	G3VM-401G	72
MOSFET SOP RELAY	Tape-and-reel	2500	G3VM-401G(TR)	72
MOSFET THRU-HOLE RELAY	Tube	50	G3VM-402C	46
MOSFET SMT RELAY	Tube	50	G3VM-402F	66
MOSFET SMT RELAY	Tape-and-reel	1500	G3VM-402F(TR)	66
MOSFET SOP RELAY	Tube	50	G3VM-402J	84
MOSFET SOP RELAY	Tape-and-reel	2500	G3VM-402J(TR)	84
MOSFET THRU-HOLE RELAY	Tube	50	G3VM-61A	32
MOSFET THRU-HOLE RELAY	Tube	50	G3VM-61A1	34
MOSFET THRU-HOLE RELAY	Tube	50	G3VM-61B	38
MOSFET THRU-HOLE RELAY	Tube	50	G3VM-61B1	40
MOSFET THRU-HOLE RELAY	Tube	50	G3VM-61CP	42
MOSFET THRU-HOLE RELAY	Tube	50	G3VM-61CR	44
MOSFET SMT RELAY	Tube	50	G3VM-61D	52
MOSFET SMT RELAY	Tape-and-reel	1500	G3VM-61D(TR)	52
MOSFET SMT RELAY	Tube	50	G3VM-61D1	54
MOSFET SMT RELAY	Tape-and-reel	1500	G3VM-61D1(TR)	54
MOSFET SMT RELAY	Tube	50	G3VM-61E	58
MOSFET SMT RELAY	Tape-and-reel	1500	G3VM-61E(TR)	58
MOSFET SMT RELAY	Tube	50	G3VM-61E1	60
MOSFET SMT RELAY	Tape-and-reel	1500	G3VM-61E1(TR)	60
MOSFET SMT RELAY	Tube	50	G3VM-61FP	64
MOSFET SMT RELAY	Tape-and-reel	1500	G3VM-61FP(TR)	64
MOSFET SMT RELAY	Tube	50	G3VM-61FR	64
MOSFET SMT RELAY	Tape-and-reel	1500	G3VM-61FR(TR)	64
MOSFET SOP RELAY	Tube	50	G3VM-61G1	76
MOSFET SOP RELAY	Tape-and-reel	2500	G3VM-61G1(TR)	76
MOSFET SOP RELAY	Tube	50	G3VM-61H1	80
MOSFET SOP RELAY	Tape-and-reel	2500	G3VM-61H1(TR)	80
MOSFET THRU-HOLE RELAY	Tube	50	G3VM-62C1	46
MOSFET SMT RELAY	Tube	50	G3VM-62F1	66
MOSFET SMT RELAY	Tape-and-reel	1500	G3VM-62F1(TR)	66
MOSFET SOP RELAY	Tube	50	G3VM-62J1	84
MOSFET SOP RELAY	Tape-and-reel	2500	G3VM-62J1(TR)	84
MOSFET THRU-HOLE RELAY	Tube	50	G3VM-601BY	38
MOSFET SMT RELAY	Tube	50	G3VM-601EY	58
MOSFET SMT RELAY	Tape-and-reel	1500	G3VM-601EY(TR)	58
MOSFET SOP RELAY	Tube	50	G3VM-81G1	76
MOSFET SOP RELAY	Tape-and-reel	2500	G3VM-81G1(TR)	76
MOSFET SOP RELAY	Tube	50	G3VM-81HR	80
MOSFET SOP RELAY	Tape-and-reel	2500	G3VM-81HR(TR)	80

Description	Packaging	Standard pack quantity	Model	Page no.
MOSFET SOP RELAY	Tube	50	G3VM-S1	76
MOSFET SOP RELAY	Tape-and-reel	2500	G3VM-S1(TR)	76
MOSFET SOP RELAY	Tube	50	G3VM-S2	78
MOSFET SOP RELAY	Tape-and-reel	2500	G3VM-S2(TR)	78
MOSFET SOP RELAY	Tube	50	G3VM-S3	82
MOSFET SOP RELAY	Tape-and-reel	2500	G3VM-S3(TR)	82
MOSFET SOP RELAY	Tube	50	G3VM-S5	78
MOSFET SOP RELAY	Tape-and-reel	2500	G3VM-S5(TR)	78
MOSFET SOP RELAY	Tube	50	G3VM-SW	84
MOSFET SOP RELAY	Tape-and-reel	2500	G3VM-SW(TR)	84
MOSFET SOP RELAY	Tube	50	G3VM-SY	86
MOSFET SOP RELAY	Tape-and-reel	2500	G3VM-SY(TR)	86
MOSFET THRU-HOLE RELAY	Tube	50	G3VM-V	40
MOSFET SMT RELAY	Tube	50	G3VM-VF	60
MOSFET SMT RELAY	Tape-and-reel	1500	G3VM-VF(TR)	60
MOSFET THRU-HOLE RELAY	Tube	50	G3VM-W	46
MOSFET SMT RELAY	Tube	50	G3VM-WF	68
MOSFET SMT RELAY	Tape-and-reel	1500	G3VM-WF(TR)	68
MOSFET SMT RELAY	Tube	50	G3VM-WFL	68
MOSFET SMT RELAY	Tape-and-reel	1500	G3VM-WFL(TR)	68
MOSFET THRU-HOLE RELAY	Tube	50	G3VM-WL	48

Specifications tables begin on the following page.

# Specifications

## G3VM-2, -2L, -351A

### Maximum Rating

Parameter		Comments and conditions		G3VM-2	G3VM-2L	G3VM-351A
Contact form/no. of terminals		—		1 Form A/4 pins	1 Form A/4 pins	1 Form A/4 pins
Input (LED)	LED forward current	$I_F$	Typical	50 mA	50 mA	50 mA
		$I_{FP}$ (100 $\mu$ s pulse, 100 pps)	Max.	1 A	1 A	1 A
	Forward current derating	$T_a \geq 25^\circ\text{C}$		-0.5 mA/ $^\circ\text{C}$	-0.5 mA/ $^\circ\text{C}$	-0.5 mA/ $^\circ\text{C}$
	Reverse voltage	$V_R$	Max.	5 V	6 V	5 V
Junction temperature ( $T_J$ )				125 $^\circ\text{C}$	125 $^\circ\text{C}$	125 $^\circ\text{C}$
Output (Detector)	Output voltage strength	$V_{OFF}$		350 V	350 V (AC or DC peak)	350 V
	Continuous load current	$I_O$		120 mA	120 mA	120 mA
	ON-state current derating	$T_a \geq 25^\circ\text{C}$		-1.2 mA/ $^\circ\text{C}$	-1.2 mA/ $^\circ\text{C}$	-1.2 mA/ $^\circ\text{C}$
	Junction temperature ( $T_J$ )				125 $^\circ\text{C}$	125 $^\circ\text{C}$
Dielectric strength		$V_{I/O}$ for 1 minute min.		2500 VAC	2500 VAC	2500 VAC
Temperature	Ambient	$T_a$ with no icing		-20 $^\circ$ to +85 $^\circ\text{C}$	-40 $^\circ$ to +85 $^\circ\text{C}$	-40 $^\circ$ to +85 $^\circ\text{C}$
	Storage	$T_{stg}$ with no icing		-55 $^\circ$ to +100 $^\circ\text{C}$	-55 $^\circ$ to +125 $^\circ\text{C}$	-55 $^\circ$ to +125 $^\circ\text{C}$

### Electrical Characteristics

Parameter		Comments and conditions		G3VM-2	G3VM-2L	G3VM-351A
Input	LED forward voltage ( $V_F$ )	$I_F=10$ mA	Min.	1.0 V	1.0 V	1.0 V
			Typical	1.15 V	1.15 V	1.15 V
			Max.	1.3 V	1.3 V	1.3 V
	Reverse current	$I_R$	Max.	10 $\mu$ A	10 $\mu$ A	10 $\mu$ A
	Reverse voltage	$V_R$	Max.	5 V	6 V	5 V
	Capacitance ( $C_T$ )	$V = 0$ ; freq. = 1 MHz	Typical	30 pF	30 pF	30 pF
Output	Keep ON LED current ( $I_{FT}$ )	$I_O = 120$ mA	Typical	2 mA	1 mA	1 mA
			Max.	3 mA	3 mA	3 mA
	ON-resistance ( $R_{ON}$ )	$I_{ON}=120$ mA $I_F=5$ mA	Typical	22 $\Omega$	22 $\Omega$	35 $\Omega$ (25 $\Omega$ , $t < 1$ s)
OFF-state leakage current ( $I_{LEAK}$ )	$V_{OFF} = 350$ V	Max.	1.0 $\mu$ A	1.0 $\mu$ A	1.0 $\mu$ A	
		Limit current ( $I_{LIM}$ )	$I_F = 5$ mA, $V_{DD} = 5$ V, $t = 5$ ms	Min.	—	150 mA
Transfer characteristics	I/O capacitance	$(C_{I/O})$	Typical	0.8 pF	0.8 pF	0.8 pF
			Min.	1000 M $\Omega$	1000 M $\Omega$	1000 M $\Omega$
	Operate time	$(t_{ON})$	Max.	1.0 ms	1.0 ms	1.0 ms
	Release time	$(t_{OFF})$	Max.	1.0 ms	1.0 ms	1.0 ms



### Optimum Operating Conditions

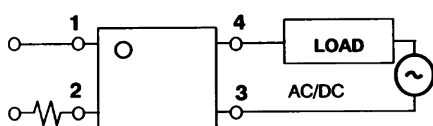
Parameter	Comments and conditions	G3VM-2	G3VM-2L	G3VM-351A
Output voltage strength	$V_{DD}$	Max. 280 V	280 V	280 V
Operate LED forward current	$I_F$	Min. 5 mA	5 mA	5 mA
		Typical 7.5 mA	7.5 mA	7.5 mA
		Max. 25 mA	25 mA	25 mA
Continuous load current	$I_O$	Max. 100 mA	100 mA	100 mA
Ambient temperature	$T_A$	-20° to 65°C	-20° to 65°C	-20° to 65°C

### Dimensions

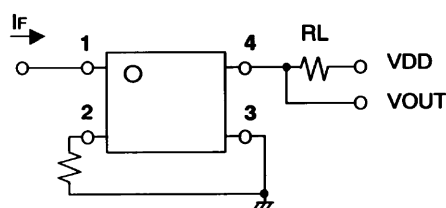
Item	G3VM-2	G3VM-2L	G3VM-351A
Dimensions	See page 92	See page 92	See page 92

### Connections

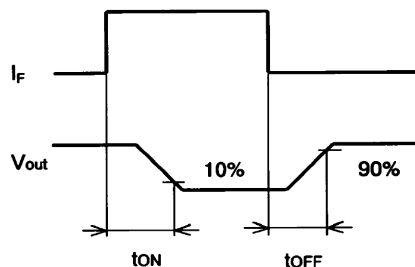
#### G3VM-2, 2L



#### G3VM-2, 2L, 351A



### Timing Chart



## G3VM-353A, -401A, -61A

### Maximum Rating

Parameter		Comments and conditions		G3VM-353A	G3VM-401A	G3VM-61A
Contact form/no. of terminals		—		1 Form B/4 pins	1 Form A/4 pins	1 Form A/4 pins
Input (LED)	LED forward current	$I_F$	Typical	50 mA	50 mA	50 mA
		$I_{FP}$ (100 $\mu$ s pulse, 100 pps)	Max.	1 A	1 A	1 A
	Forward current derating	$T_a \geq 25^\circ\text{C}$		-0.5 mA/ $^\circ\text{C}$	-0.5 mA/ $^\circ\text{C}$	-0.5 mA/ $^\circ\text{C}$
	Reverse voltage	$V_R$	Max.	5 V	5 V	5 V
Junction temperature ( $T_J$ )				125 $^\circ\text{C}$	125 $^\circ\text{C}$	125 $^\circ\text{C}$
Output (Detector)	Output voltage strength	$V_{OFF}$		350 V	400 V	60 V
	Continuous load current	$I_O$		150 mA	120 mA	500 mA
	ON-state current derating	$T_a \geq 25^\circ\text{C}$		-1.5 mA/ $^\circ\text{C}$	-1.2 mA/ $^\circ\text{C}$	-5.0 mA/ $^\circ\text{C}$
	Junction temperature ( $T_J$ )				125 $^\circ\text{C}$	125 $^\circ\text{C}$
Dielectric strength		$V_{I/O}$ for 1 minute min.		2500 VAC	2500 VAC	2500 VAC
Temperature	Ambient	$T_a$ with no icing		-40 $^\circ$ to +85 $^\circ\text{C}$	-40 $^\circ$ to +85 $^\circ\text{C}$	-40 $^\circ$ to +85 $^\circ\text{C}$
	Storage	$T_{stg}$ with no icing		-55 $^\circ$ to +125 $^\circ\text{C}$	-55 $^\circ$ to +125 $^\circ\text{C}$	-55 $^\circ$ to +125 $^\circ\text{C}$

### Electrical Characteristics

Parameter		Comments and conditions		G3VM-353A	G3VM-401A	G3VM-61A
Input	LED forward voltage ( $V_F$ )	$I_F=10$ mA	Min.	1.0 V	1.0 V	1.0 V
			Typical	1.15 V	1.15 V	1.15 V
			Max.	1.3 V	1.3 V	1.3 V
	Reverse current	$I_R$	Max.	10 $\mu$ A	10 $\mu$ A	10 $\mu$ A
	Reverse voltage	$V_R$	Max.	5 V	5 V	5 V
	Capacitance ( $C_T$ )	$V = 0$ ; freq. = 1 MHz	Typical	30 pF	30 pF	30 pF
Keep ON LED current ( $I_{FT}$ )	$I_O = 120$ mA	Typical	1 mA	1 mA	1 mA	
		Max.	3 mA	3 mA	3 mA	
Output	ON-resistance ( $R_{ON}$ )	$I_{ON}=150$ mA $I_F=5$ mA	Typical	15 $\Omega$	18 $\Omega$	1 $\Omega$ ( $I_{ON}=500$ mA)
			Max.	25 $\Omega$	35 $\Omega$	2 $\Omega$ ( $I_{ON}=500$ mA)
	OFF-state leakage current ( $I_{LEAK}$ )	At $V_{OFF}$	Max.	1.0 $\mu$ A	1.0 $\mu$ A	1.0 $\mu$ A
Limit current ( $I_{LIM}$ )	$I_F = 5$ mA, $V_{DD} = 5$ V, $t = 5$ ms	Min.	—	—	—	
		Max.	—	—	—	
Transfer characteristics	I/O capacitance	( $C_{I/O}$ )	Typical	0.8 pF	0.8 pF	0.8 pF
	I/O resistance	( $R_{I/O}$ )	Min.	1000 M $\Omega$	1000 M $\Omega$	1000 M $\Omega$
	Operate time	( $t_{ON}$ )	Max.	1.0 ms	1.0 ms	1.0 ms ( $I_F = 10$ mA)
	Release time	( $t_{OFF}$ )	Max.	3.0 ms	1.0 ms	1.0 ms ( $I_F = 10$ mA)

### Optimum Operating Conditions

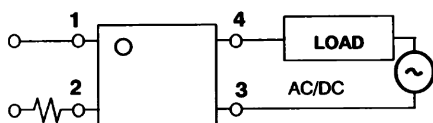
Parameter		Comments and conditions		G3VM-353A	G3VM-401A	G3VM-61A
Output voltage strength		$V_{DD}$	Max.	280 V	320 V	48 V
Operate LED forward current	$I_F$	Min.		5 mA	5 mA	5 mA
		Typical		—	7.5 mA	7.5 mA
		Max.		25 mA	25 mA	25 mA
Continuous load current		$I_O$	Max.	150 mA	100 mA	400 mA
Ambient temperature		$T_A$		-20 $^\circ$ to 65 $^\circ\text{C}$	-20 $^\circ$ to 65 $^\circ\text{C}$	-20 $^\circ$ to 65 $^\circ\text{C}$

Dimensions

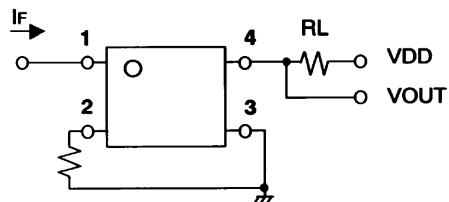
Item	G3VM-353A	G3VM-401A	G3VM-61A
Dimensions	See page 92	See page 92	See page 92

Connections

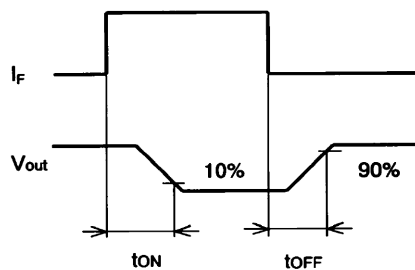
G3VM-353A



G3VM-353A, 401A, 61A



Timing Chart



## G3VM-61A1, -351B, -353B

### Maximum Rating

Parameter		Comments and conditions		G3VM-61A1	G3VM-351B	G3VM-353B
Contact form/no. of terminals		—		1 Form A/4 pins	1 Form A/6 pins	1 Form B/6 pins
Input (LED)	LED forward current	$I_F$	Typical	50 mA	50 mA	50 mA
		$I_{FP}$ (100 $\mu$ s pulse, 100 pps)	Max.	1 A	1 A	1 A
	Forward current derating	$T_a \geq 25^\circ\text{C}$		-0.5 mA/ $^\circ\text{C}$	-0.5 mA/ $^\circ\text{C}$	-0.5 mA/ $^\circ\text{C}$
	Reverse voltage	$V_R$	Max.	5 V	5 V	5 V
	Junction temperature ( $T_J$ )			125 $^\circ\text{C}$	125 $^\circ\text{C}$	125 $^\circ\text{C}$
Output (Detector)	Output voltage strength	$V_{OFF}$		60 V	350 V	350 V
	Continuous load current	$I_O$		500 mA	120 mA (for A) 120 mA (for B) 240 mA (for C)	150 mA (for A) 150 mA (for B) 300 mA (for C)
	ON-state current derating	$T_a \geq 25^\circ\text{C}$		-5.0 mA/ $^\circ\text{C}$	-1.2 mA/ $^\circ\text{C}$ (for A)	-1.5 mA/ $^\circ\text{C}$ (for A)
	Junction temperature ( $T_J$ )			125 $^\circ\text{C}$	125 $^\circ\text{C}$	125 $^\circ\text{C}$
Dielectric strength		$V_{IO}$ for 1 minute min.		2500 VAC	2500 VAC	2500 VAC
Temperature	Ambient	$T_a$ with no icing		-40 $^\circ$ to +85 $^\circ\text{C}$	-40 $^\circ$ to +85 $^\circ\text{C}$	-40 $^\circ$ to +85 $^\circ\text{C}$
	Storage	$T_{stg}$ with no icing		-55 $^\circ$ to +125 $^\circ\text{C}$	-55 $^\circ$ to +125 $^\circ\text{C}$	-55 $^\circ$ to +125 $^\circ\text{C}$

### Electrical Characteristics

Parameter		Comments and conditions		G3VM-61A1	G3VM-351B	G3VM-353B
Input	LED forward voltage ( $V_F$ )	$I_F=10$ mA	Min.	1.0 V	1.0 V	1.0 V
			Typical	1.15 V	1.15 V	1.15 V
			Max.	1.3 V	1.3 V	1.3 V
	Reverse current	$I_R$	Max.	10 $\mu$ A	10 $\mu$ A	10 $\mu$ A
	Reverse voltage	$V_R$	Max.	5 V	5 V	5 V
	Capacitance ( $C_T$ )	$V = 0$ ; freq. = 1 MHz		Typical	30 pF	30 pF
Keep ON LED current ( $I_{FT}$ )	$I_O = 120$ mA	Typical	1.6 mA	1 mA	1 mA	
		Max.	3 mA	3 mA	3 mA	
Output	ON-resistance ( $R_{ON}$ )	$I_F=5$ mA	Typical	1 $\Omega$ ( $I_{ON}=500$ mA)	35 $\Omega$ ( $I_{ON}=120$ mA) for connection A	15 $\Omega$ ( $I_{ON}=150$ mA) for connection A
			Max.	2 $\Omega$ ( $I_{ON}=500$ mA)	50 $\Omega$ ( $I_{ON}=120$ mA) for connection A	25 $\Omega$ ( $I_{ON}=150$ mA) for connection A
			Typical	—	28 $\Omega$ ( $I_{ON}=120$ mA) for connection B	8 $\Omega$ ( $I_{ON}=150$ mA) for connection B
			Max.	—	40 $\Omega$ ( $I_{ON}=120$ mA) for connection B	14 $\Omega$ ( $I_{ON}=150$ mA) for connection B
			Typical	—	14 $\Omega$ ( $I_{ON}=240$ mA) for connection C	4 $\Omega$ ( $I_{ON}=300$ mA) for connection C
			Max.	—	20 $\Omega$ ( $I_{ON}=240$ mA) for connection C	7 $\Omega$ ( $I_{ON}=300$ mA) for connection C
	OFF-state leakage current ( $I_{LEAK}$ )	At $V_{OFF}$		Max.	1.0 $\mu$ A	1.0 $\mu$ A
	Limit current ( $I_{LIM}$ )	$I_F = 5$ mA, $V_{DD} = 5$ V, $t = 5$ ms	Min.	—	—	—
			Max.	—	—	—
	Transfer characteristics	I/O capacitance	$(C_{I/O})$	Typical	0.8 pF	0.8 pF
I/O resistance		$(R_{I/O})$	Min.	1000 M $\Omega$	1000 M $\Omega$	1000 M $\Omega$
Operate time		$(t_{ON})$	Max.	2.0 ms	1.0 ms	1.0 ms
Release time		$(t_{OFF})$	Max.	0.5 ms	1.0 ms	3.0 ms

### Optimum Operating Conditions

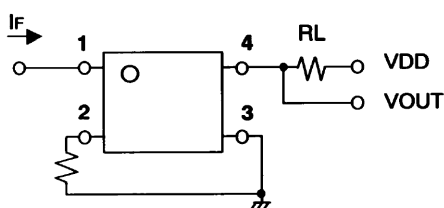
Parameter	Comments and conditions	G3VM-61A1	G3VM-351B	G3VM-353B
Output voltage strength	$V_{DD}$	Max. 48 V	280 V	280 V
Operate LED forward current	$I_F$	Min. 5 mA	5 mA	5 mA
		Typical 7.5 mA	10 mA	—
		Max. 25 mA	25 mA	25 mA
		Continuous load current	$I_O$	Max. 500 mA
Ambient temperature	$T_A$	-20° to 65°C	-20° to 65°C	-20° to 65°C

### Dimensions

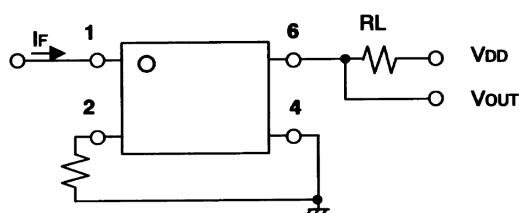
Item	G3VM-61A1	G3VM-351B	G3VM-353B
Dimensions	See page 92	See page 92	See page 92

### Connections

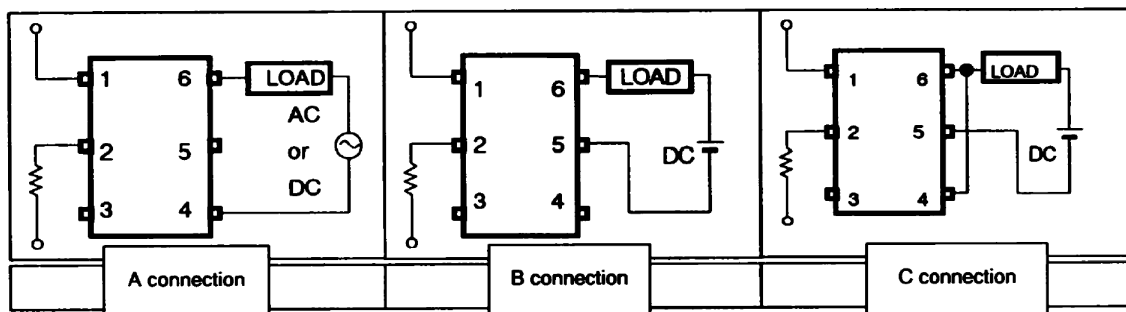
#### G3VM-61A1



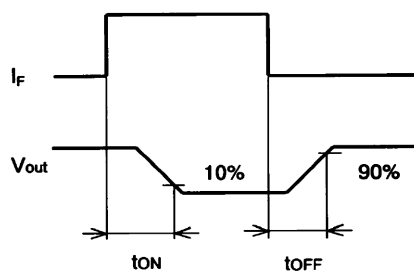
#### G3VM-351B, -353B



#### G3VM-351B, -353B



### Timing Chart



## G3VM-3, -3L, -401B

### Maximum Rating

Parameter		Comments and conditions		G3VM-3	G3VM-3L	G3VM-401B
Contact form/no. of terminals		—		1 Form A/6 pins	1 Form A/6 pins	1 Form A/6 pins
Input (LED)	LED forward current	$I_F$	Typical	50 mA	50 mA	50 mA
		$I_{FP}$ (100 $\mu$ s pulse, 100 pps)	Max.	1 A	1 A	1 A
	Forward current derating	$T_a \geq 25^\circ\text{C}$		-0.5 mA/ $^\circ\text{C}$	-0.5 mA/ $^\circ\text{C}$	-0.5 mA/ $^\circ\text{C}$
	Reverse voltage	$V_R$	Max.	5 V	5 V	5 V
	Junction temperature ( $T_J$ )			125 $^\circ\text{C}$	125 $^\circ\text{C}$	125 $^\circ\text{C}$
Output (Detector)	Output voltage strength	$V_{OFF}$		60 V	350 V	400 V
	Continuous load current	$I_O$		120 mA (for A) 120 mA (for B) 160 mA (for C)	120 mA	120 mA (for A) 120 mA (for B) 240 mA (for C)
	ON-state current derating	$T_a \geq 25^\circ\text{C}$		-1.2 mA/ $^\circ\text{C}$ (for A)	-1.2 mA/ $^\circ\text{C}$	-1.2 mA/ $^\circ\text{C}$ (for A)
	Junction temperature ( $T_J$ )			125 $^\circ\text{C}$	125 $^\circ\text{C}$	125 $^\circ\text{C}$
Dielectric strength		$V_{IO}$ for 1 minute min.		2500 VAC	2500 VAC	2500 VAC
Temperature	Ambient	$T_a$ with no icing		-20 $^\circ$ to +85 $^\circ\text{C}$	-40 $^\circ$ to +85 $^\circ\text{C}$	-40 $^\circ$ to +85 $^\circ\text{C}$
	Storage	$T_{stg}$ with no icing		-55 $^\circ$ to +100 $^\circ\text{C}$	-55 $^\circ$ to +125 $^\circ\text{C}$	-55 $^\circ$ to +125 $^\circ\text{C}$

### Electrical Characteristics

Parameter		Comments and conditions		G3VM-3	G3VM-3L	G3VM-401B	
Input	LED forward voltage ( $V_F$ )	$I_F=10$ mA	Min.	1.0 V	1.0 V	1.0 V	
			Typical	1.15 V	1.15 V	1.15 V	
			Max.	1.3 V	1.3 V	1.3 V	
	Reverse current	$I_R$	Max.	10 $\mu$ A	10 $\mu$ A	10 $\mu$ A	
	Reverse voltage	$V_R$	Max.	5 V	5 V	5 V	
	Capacitance ( $C_T$ )	$V = 0$ ; freq. = 1 MHz		Typical	30 pF	30 pF	30 pF
Keep ON LED current ( $I_{FT}$ )	At $I_O$		Typical	—	—	1 mA	
			Max.	3 mA	3 mA	3 mA	
Output	ON-resistance ( $R_{ON}$ )	$I_F=5$ mA	Typical	22 $\Omega$ ( $I_{ON}=120$ mA) for connection A	22 $\Omega$ ( $I_{ON}=120$ mA)	17 $\Omega$ ( $I_{ON}=120$ mA) for connection A	
			Max.	35 $\Omega$ ( $I_{ON}=120$ mA) for connection A	35 $\Omega$ ( $I_{ON}=120$ mA)	35 $\Omega$ ( $I_{ON}=120$ mA) for connection A	
			Typical	16 $\Omega$ ( $I_{ON}=120$ mA) for connection B	—	11 $\Omega$ ( $I_{ON}=120$ mA) for connection B	
			Max.	23 $\Omega$ ( $I_{ON}=120$ mA) for connection B	—	20 $\Omega$ ( $I_{ON}=120$ mA) for connection B	
			Typical	8 $\Omega$ ( $I_{ON}=160$ mA) for connection C	—	6 $\Omega$ ( $I_{ON}=240$ mA) for connection C	
			Max.	12 $\Omega$ ( $I_{ON}=160$ mA) for connection C	—	10 $\Omega$ ( $I_{ON}=240$ mA) for connection C	
	OFF-state leakage current ( $I_{LEAK}$ )	At $V_{OFF}$		Max.	1.0 $\mu$ A	1.0 $\mu$ A	1.0 $\mu$ A
	Limit current ( $I_{LIM}$ )	$I_F = 5$ mA, $V_{DD} = 5$ V, $t = 5$ ms		Min.	—	150 mA	—
				Max.	—	300 mA	—
	Transfer characteristics	I/O capacitance	$(C_{I/O})$		Typical	0.8 pF	0.8 pF
I/O resistance		$(R_{I/O})$		Min.	1000 M $\Omega$	1000 M $\Omega$	
Operate time		$(t_{ON})$		Max.	1.0 ms	1.0 ms	
Release time		$(t_{OFF})$		Max.	1.0 ms	1.0 ms	

### Optimum Operating Conditions

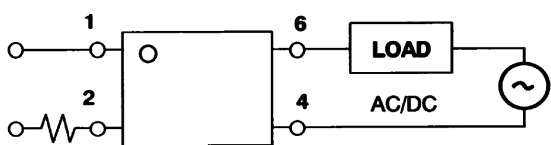
Parameter	Comments and conditions	G3VM-3	G3VM-3L	G3VM-401B
Output voltage strength	$V_{DD}$	Max. 280 V	280 V	320 V
Operate LED forward current	$I_F$	Min. 5 mA	5 mA	5 mA
		Typical 7.5 mA	10 mA	7.5 mA
		Max. 25 mA	25 mA	25 mA
		Max. 120 mA	120 mA	120 mA
Continuous load current	$I_O$	Max. 120 mA	120 mA	120 mA
Ambient temperature	$T_A$	-20° to 65°C	-20° to 65°C	-20° to 65°C

### Dimensions

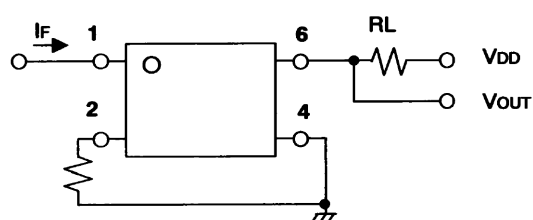
Item	G3VM-3	G3VM-3L	G3VM-401B
Dimensions	See page 92	See page 92	See page 92

### Connections

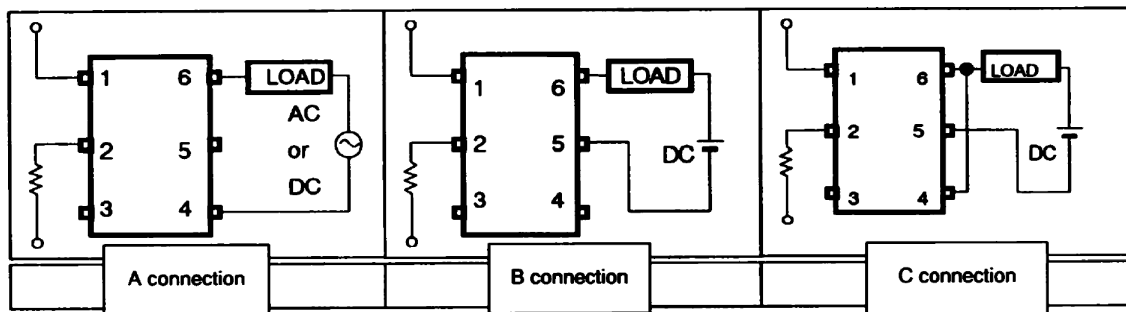
#### G3VM-3L



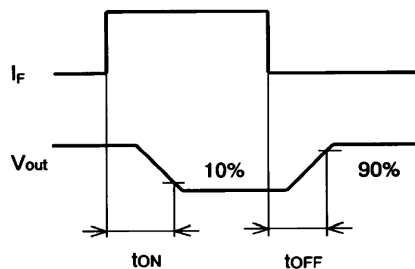
#### G3VM-3, -3L, -401B



#### G3VM-3, -401B



### Timing Chart



## G3VM-401BY, -601BY, -61B

### Maximum Rating

Parameter		Comments and conditions		G3VM-401BY	G3VM-601BY	G3VM-61B
Contact form/no. of terminals		—		1 Form A/6 pins	1 Form A/6 pins	1 Form A/6 pins
Input (LED)	LED forward current	$I_F$	Typical	50 mA	50 mA	50 mA
		$I_{FP}$ (100 $\mu$ s pulse, 100 pps)	Max.	1 A	1 A	1 A
	Forward current derating	$T_a \geq 25^\circ\text{C}$		-0.5 mA/ $^\circ\text{C}$	-0.5 mA/ $^\circ\text{C}$	-0.5 mA/ $^\circ\text{C}$
	Reverse voltage	$V_R$	Max.	5 V	5 V	5 V
	Junction temperature ( $T_J$ )			125 $^\circ\text{C}$	125 $^\circ\text{C}$	125 $^\circ\text{C}$
Output (Detector)	Output voltage strength	$V_{OFF}$		400 V	600 V	60 V
	Continuous load current	$I_O$		120 mA (for A) 120 mA (for B) 240 mA (for C)	100 mA (for A) 100 mA (for B) 200 mA (for C)	500 mA (for A) 500 mA (for B) 1000 mA (for C)
	ON-state current derating	$T_a \geq 25^\circ\text{C}$		-1.2 mA/ $^\circ\text{C}$ (for A)	-1.0 mA/ $^\circ\text{C}$ (for A)	-5.0 mA/ $^\circ\text{C}$ (for A)
	Junction temperature ( $T_J$ )			125 $^\circ\text{C}$	125 $^\circ\text{C}$	125 $^\circ\text{C}$
Dielectric strength		$V_{I/O}$ for 1 minute min.		5000 VAC	5000 VAC	2500 VAC
Temperature	Ambient	$T_a$ with no icing		-40 $^\circ\text{C}$ to +85 $^\circ\text{C}$	-40 $^\circ\text{C}$ to +85 $^\circ\text{C}$	-40 $^\circ\text{C}$ to +85 $^\circ\text{C}$
	Storage	$T_{stg}$ with no icing		-55 $^\circ\text{C}$ to +125 $^\circ\text{C}$	-55 $^\circ\text{C}$ to +125 $^\circ\text{C}$	-55 $^\circ\text{C}$ to +125 $^\circ\text{C}$

### Electrical Characteristics

Parameter		Comments and conditions		G3VM-401BY	G3VM-601BY	G3VM-61B
Input	LED forward voltage ( $V_F$ )	$I_F=10$ mA	Min.	1.0 V	1.0 V	1.0 V
			Typical	1.15 V	1.15 V	1.15 V
			Max.	1.3 V	1.3 V	1.3 V
	Reverse current	$I_R$	Max.	10 $\mu$ A	10 $\mu$ A	10 $\mu$ A
	Reverse voltage	$V_R$	Max.	5 V	5 V	5 V
	Capacitance ( $C_T$ )	$V = 0$ ; freq. = 1 MHz	Typical	30 pF	30 pF	30 pF
Keep ON LED current ( $I_{FT}$ )	At $I_O$	Typical	—	—	—	
		Max.	3 mA	5 mA	3 mA	
Output	ON-resistance ( $R_{ON}$ )	$I_F=5$ mA	Typical	17 $\Omega$ ( $I_{ON}=120$ mA) for connection A	30 $\Omega$ ( $I_{ON}=100$ mA) for connection A	1 $\Omega$ ( $I_{ON}=500$ mA) for connection A
			Max.	35 $\Omega$ ( $I_{ON}=120$ mA) for connection A	45 $\Omega$ ( $I_{ON}=100$ mA) for connection A	2 $\Omega$ ( $I_{ON}=500$ mA) for connection A
			Typical	11 $\Omega$ ( $I_{ON}=120$ mA) for connection B	23 $\Omega$ ( $I_{ON}=100$ mA) for connection B	0.5 $\Omega$ ( $I_{ON}=500$ mA) for connection B
			Max.	20 $\Omega$ ( $I_{ON}=120$ mA) for connection B	35 $\Omega$ ( $I_{ON}=100$ mA) for connection B	1 $\Omega$ ( $I_{ON}=500$ mA) for connection B
			Typical	6 $\Omega$ ( $I_{ON}=240$ mA) for connection C	12 $\Omega$ ( $I_{ON}=200$ mA) for connection C	0.3 $\Omega$ ( $I_{ON}=1000$ mA) for connection C
			Max.	10 $\Omega$ ( $I_{ON}=240$ mA) for connection C	18 $\Omega$ ( $I_{ON}=200$ mA) for connection C	—
	OFF-state leakage current ( $I_{LEAK}$ )	At $V_{OFF}$	Max.	1.0 $\mu$ A	1.0 $\mu$ A	1.0 $\mu$ A
	Limit current ( $I_{LIM}$ )	$I_F = 5$ mA, $V_{DD} = 5$ V, $t = 5$ ms	Min.	—	—	—
			Max.	—	—	—
	Transfer characteristics	I/O capacitance	( $C_{I/O}$ )	Typical	0.8 pF	0.8 pF
I/O resistance		( $R_{I/O}$ )	Min.	1000 M $\Omega$	1000 M $\Omega$	1000 M $\Omega$
Operate time		( $t_{ON}$ )	Max.	1.0 ms	1.5 ms	1.0 ms
Release time		( $t_{OFF}$ )	Max.	1.0 ms	1.0 ms	1.0 ms



### Optimum Operating Conditions

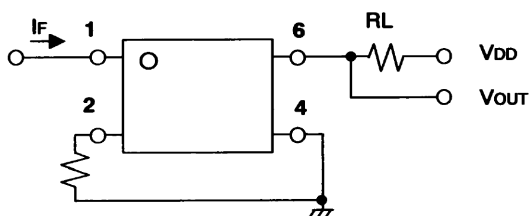
Parameter	Comments and conditions		G3VM-401BY	G3VM-601BY	G3VM-61B
Output voltage strength	$V_{DD}$	Max.	320 V	480 V	48 V
Operate LED forward current	$I_F$	Min.	5 mA	7.5 mA	5 mA
		Typical	7.5 mA	15 mA	7.5 mA
		Max.	25 mA	25 mA	25 mA
Continuous load current	$I_O$	Max.	120 mA	100 mA	400 mA
Ambient temperature	$T_A$		-20° to 65°C	-20° to 65°C	-20° to 65°C

### Dimensions

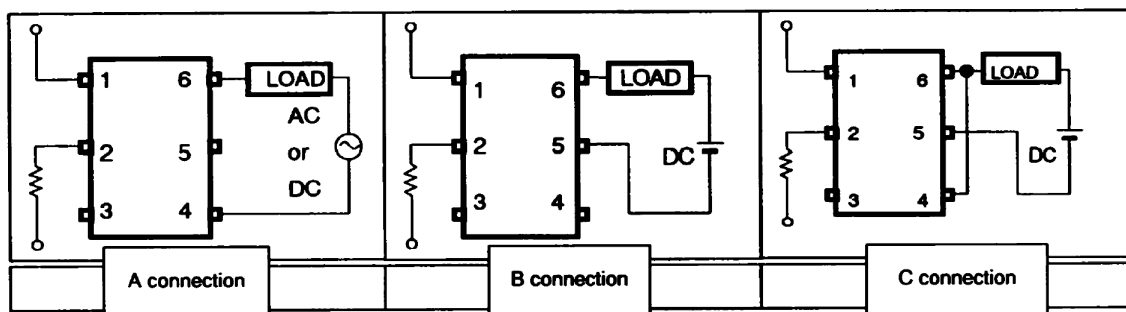
Item	G3VM-401BY	G3VM-601BY	G3VM-61B
Dimensions	See page 92	See page 92	See page 92

### Connections

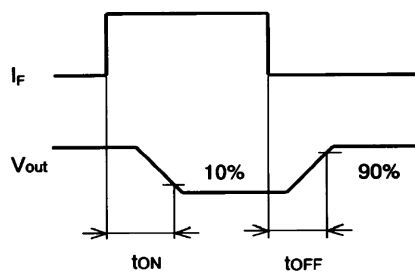
G3VM-401BY, -601BY, -61B



G3VM-401BY, -601BY, -61B



### Timing Chart



## G3VM-61B1, -V

### Maximum Rating

Parameter		Comments and conditions		G3VM-61B1	G3VM-V
Contact form/no. of terminals		—		1 Form A/6 pins	1 Form A/6 pins
Input (LED)	LED forward current	$I_F$	Typical	50 mA	50 mA
		$I_{FP}$ (100 $\mu$ s pulse, 100 pps)	Max.	1 A	1 A
	Forward current derating	$T_a \geq 25^\circ\text{C}$		-0.5 mA/ $^\circ\text{C}$	-0.5 mA/ $^\circ\text{C}$
	Reverse voltage	$V_R$	Max.	5 V	5 V
	Junction temperature ( $T_J$ )			125 $^\circ\text{C}$	125 $^\circ\text{C}$
Output (Detector)	Output voltage strength	$V_{OFF}$		60 V	60 V
	Continuous load current	$I_O$		500 mA (for A) 500 mA (for B) 1000 mA (for C)	300 mA (for A) 450 mA (for B) 600 mA (for C)
	ON-state current derating	$T_a \geq 25^\circ\text{C}$		-5.0 mA/ $^\circ\text{C}$ (for A)	-3.0 mA/ $^\circ\text{C}$ (for A)
	Junction temperature ( $T_J$ )			125 $^\circ\text{C}$	125 $^\circ\text{C}$
Dielectric strength		$V_{IO}$ for 1 minute min.		2500 VAC	2500 VAC
Temperature	Ambient	$T_a$ with no icing		-40 $^\circ$ to +85 $^\circ\text{C}$	-20 $^\circ$ to +85 $^\circ\text{C}$
	Storage	$T_{stg}$ with no icing		-55 $^\circ$ to +125 $^\circ\text{C}$	-55 $^\circ$ to +100 $^\circ\text{C}$

### Electrical Characteristics

Parameter		Comments and conditions		G3VM-61B1	G3VM-V
Input	LED forward voltage ( $V_F$ )	$I_F=10$ mA	Min.	1.0 V	1.0 V
			Typical	1.15 V	1.15 V
			Max.	1.3 V	1.3 V
	Reverse current	$I_R$	Max.	10 $\mu$ A	10 $\mu$ A
	Reverse voltage	$V_R$	Max.	5 V	5 V
	Capacitance ( $C_T$ )	$V = 0$ ; freq. = 1 MHz		Typical	30 pF
Keep ON LED current ( $I_{FT}$ )	At $I_O$	Typical	1.6 mA	1 mA	
		Max.	3 mA	5 mA	
Output	ON-resistance ( $R_{ON}$ )	$I_F=5$ mA	Typical	1 $\Omega$ ( $I_{ON}=500$ mA) for connection A	1.4 $\Omega$ ( $I_{ON}=300$ mA) for connection A
			Max.	2 $\Omega$ ( $I_{ON}=500$ mA) for connection A	2 $\Omega$ ( $I_{ON}=300$ mA) for connection A
			Typical	0.5 $\Omega$ ( $I_{ON}=500$ mA) for connection B	0.7 $\Omega$ ( $I_{ON}=450$ mA) for connection B
			Max.	1 $\Omega$ ( $I_{ON}=500$ mA) for connection B	1 $\Omega$ ( $I_{ON}=450$ mA) for connection B
			Typical	0.25 $\Omega$ ( $I_{ON}=1000$ mA) for connection C	0.35 $\Omega$ ( $I_{ON}=600$ mA) for connection C
			Max.	—	0.5 $\Omega$ ( $I_{ON}=600$ mA) for connection C
	OFF-state leakage current ( $I_{LEAK}$ )	At $V_{OFF}$	Max.	1.0 $\mu$ A	1.0 $\mu$ A
	Limit current ( $I_{LIM}$ )	$I_F = 5$ mA, $V_{DD} = 5$ V, $t = 5$ ms	Min.	—	—
			Max.	—	—
	Transfer characteristics	I/O capacitance	( $C_{IO}$ )	Typical	0.8 pF
I/O resistance		( $R_{IO}$ )	Min.	1000 M $\Omega$	1000 M $\Omega$
Operate time		( $t_{ON}$ )	Max.	2.0 ms	1.0 ms
Release time		( $t_{OFF}$ )	Max.	0.5 ms	1.0 ms

### Optimum Operating Conditions

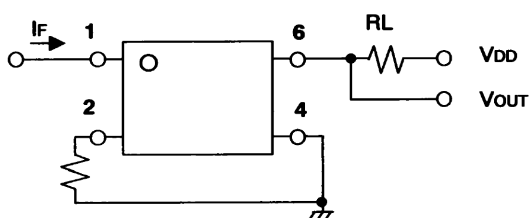
Parameter	Comments and conditions		G3VM-61B1	G3VM-V
Output voltage strength	$V_{DD}$	Max.	48 V	48V
Operate LED forward current	$I_F$	Min.	5 mA	7.5 mA
		Typical	7.5 mA	15 mA
		Max.	25 mA	25 mA
		Max.	500 mA	300 mA
Continuous load current	$I_O$	Max.	500 mA	300 mA
Ambient temperature	$T_A$		-20° to 65°C	-20° to 80°C

### Dimensions

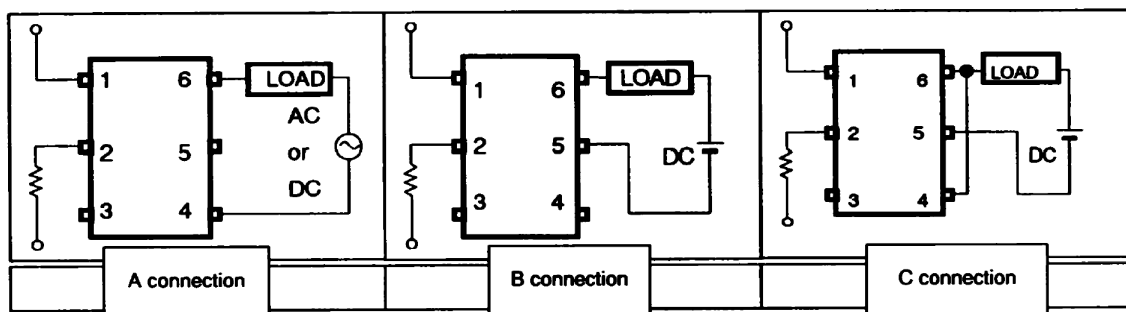
Item	G3VM-61B1	G3VM-V
Dimensions	See page 92	See page 92

### Connections

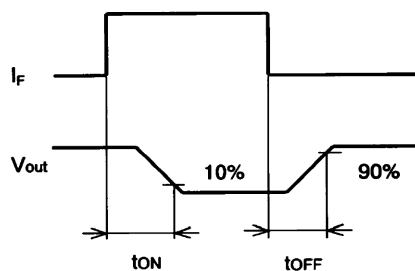
#### G3VM-61B1, -V



#### G3VM-61B1, -V



### Timing Chart



## G3VM-61CP

### Maximum Rating

Parameter		Comments and conditions		G3VM-61CP
Contact form/no. of terminals		—		1 Form A/8 pins
Input (LED)	LED forward current	$I_F$	Typical	50 mA
		$I_{FP}$ (100 $\mu$ s pulse, 100 pps)	Max.	1 A
	Forward current derating	$T_a \geq 25^\circ\text{C}$		-0.5 mA/ $^\circ\text{C}$
	Reverse voltage	$V_R$	Max.	6 V
	Junction temperature ( $T_J$ )			125 $^\circ\text{C}$
Output (Detector)	Output voltage strength	$V_{OFF}$		60 V
	Continuous load current	$I_O$		500 mA
	ON-state current derating	$T_a \geq 25^\circ\text{C}$		-5.0 mA/ $^\circ\text{C}$
	Junction temperature ( $T_J$ )			125 $^\circ\text{C}$
Dielectric strength		$V_{I/O}$ for 1 minute min.		2500 VAC
Temperature	Ambient	$T_a$ with no icing		-40 $^\circ$ to +85 $^\circ\text{C}$
	Storage	Tstg with no icing		-55 $^\circ$ to +125 $^\circ\text{C}$

### Electrical Characteristics

Parameter		Comments and conditions		G3VM-61CP
Input	LED forward voltage ( $V_F$ )	$I_F=10$ mA	Min.	1.0 V
			Typical	1.2 V
			Max.	1.4 V
	Reverse current	$I_R$	Max.	15 $\mu$ A
	Reverse voltage	$V_R$	Max.	6 V
	Capacitance ( $C_T$ )	$V = 0$ ; freq. = 1 MHz	Typical	15 pF
	Keep ON LED current ( $I_{FT}$ )	At $I_O$	Typical	—
Max.			5 mA	
Output	ON-resistance ( $R_{ON}$ )	$I_F=5$ mA	Typical	0.3 $\Omega$ ( $I_{ON}=500$ mA)
			Max.	0.6 $\Omega$ ( $I_{ON}=500$ mA)
			Typical	—
			Max.	—
			Typical	—
			Max.	—
	OFF-state leakage current ( $I_{LEAK}$ )	At $V_{OFF}$	Max.	1.0 $\mu$ A
	Capacitance	COFF	Typical	200 pF
Max.			500 pF	
Transfer characteristics	I/O capacitance	( $C_{I/O}$ )	Typical	0.8 pF
	I/O resistance	( $R_{I/O}$ )	Min.	1000 M $\Omega$
	Operate time	( $t_{ON}$ )	Max.	2.0 ms
	Release time	( $t_{OFF}$ )	Max.	0.5 ms

### Optimum Operating Conditions

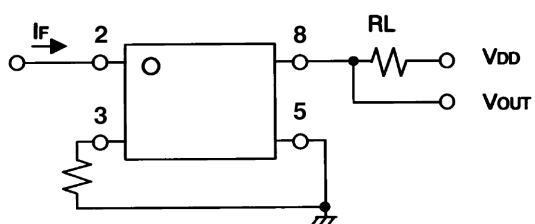
Parameter	Comments and conditions		G3VM-61CP
Output voltage strength	$V_{DD}$	Max.	48 V
Operate LED forward current	$I_F$	Min.	10 mA
		Typical	— mA
		Max.	30 mA
Continuous load current	$I_O$	Max.	500 mA
Ambient temperature	$T_A$		-25° to 50°C

### Dimensions

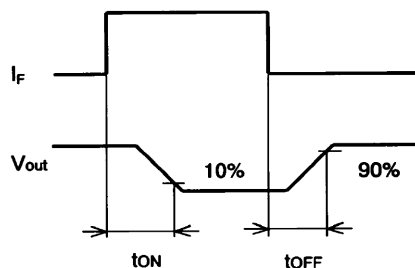
Item	G3VM-61CP
Dimensions	See page 93

### Connections

#### G3VM-61CP



### Timing Chart



## G3VM-61CR, 355CR, 352C

### Maximum Rating

Parameter		Comments and conditions		G3VM-61CR	G3VM-355CR	G3VM-352C
Contact form/no. of terminals		—		1 Form A/8 pins	1FormA+1FormB/ 8 pins	2 Form A/8 pins
Input (LED)	LED forward current	$I_F$	Typical	50 mA	50 mA	50 mA
		$I_{FP}$ (100 $\mu$ s pulse, 100 pps)	Max.	1 A	1 A	1 A
	Forward current derating	$T_a \geq 25^\circ\text{C}$		-0.5 mA/ $^\circ\text{C}$	-0.5 mA/ $^\circ\text{C}$	-0.5 mA/ $^\circ\text{C}$
	Reverse voltage	$V_R$	Max.	6 V	5 V	5 V
Junction temperature ( $T_J$ )				125 $^\circ\text{C}$	125 $^\circ\text{C}$	125 $^\circ\text{C}$
Output (Detector)	Output voltage strength	$V_{OFF}$		60 V	350 V	350 V
	Continuous load current	$I_O$		2000 mA	120 mA	120 mA
	ON-state current derating	$T_a \geq 25^\circ\text{C}$		-20 mA/ $^\circ\text{C}$	-1.2 mA/ $^\circ\text{C}$	-1.2 mA/ $^\circ\text{C}$
	Junction temperature ( $T_J$ )				125 $^\circ\text{C}$	125 $^\circ\text{C}$
Dielectric strength		$V_{IO}$ for 1 minute min.		1500 VAC	2500 VAC	2500 VAC
Temperature	Ambient	$T_a$ with no icing		-20 $^\circ$ to +85 $^\circ\text{C}$	-40 $^\circ$ to +85 $^\circ\text{C}$	-40 $^\circ$ to +85 $^\circ\text{C}$
	Storage	$T_{stg}$ with no icing		-55 $^\circ$ to +125 $^\circ\text{C}$	-55 $^\circ$ to +125 $^\circ\text{C}$	-55 $^\circ$ to +100 $^\circ\text{C}$

### Electrical Characteristics

Parameter		Comments and conditions		G3VM-61CR	G3VM-355CR	G3VM-352C
Input	LED forward voltage ( $V_F$ )	$I_F=10$ mA	Min.	1.0 V	1.0 V	1.0 V
			Typical	1.2 V	1.15 V	1.15 V
			Max.	1.4 V	1.3 V	1.3 V
	Reverse current	$I_R$	Max.	10 $\mu$ A	10 $\mu$ A	10 $\mu$ A
	Reverse voltage	$V_R$	Max.	6 V	5 V	5 V
	Capacitance ( $C_T$ )	$V = 0$ ; freq. = 1 MHz		Typical	15 pF	30 pF
Keep ON LED current ( $I_{FT}$ )	At $I_O$		Typical	—	1 mA	1 mA
			Max.	5 mA	3 mA	3 mA
Output	ON-resistance ( $R_{ON}$ )	$I_F=5$ mA (1a)	Typical	—	15 $\Omega$ ( $I_{ON}=120$ mA)	35 $\Omega$ (25 $\Omega$ , $t \leq 1$ s)
			Max.	0.12 $\Omega$	25 $\Omega$ ( $I_{ON}=120$ mA)	50 $\Omega$ (35 $\Omega$ , $t \leq 1$ s)
		$I_F=0$ mA (1b)	Typical	—	15 $\Omega$ ( $I_{ON}=120$ mA)	—
			Max.	—	25 $\Omega$ ( $I_{ON}=120$ mA)	—
			Typical	—	—	—
			Max.	—	—	—
	OFF-state leakage current ( $I_{LEAK}$ )	At $V_{OFF}$	Max.	4.0 $\mu$ A	1.0 $\mu$ A	1.0 $\mu$ A
	Capacitance	COFF	Typical	—	—	— pF
Max.			—	—	— pF	
Transfer characteristics	I/O capacitance	( $C_{I/O}$ )	Typical	0.8 pF	0.8 pF	0.8 pF
	I/O resistance	( $R_{I/O}$ )	Min.	1000 M $\Omega$	1000 M $\Omega$	1000 M $\Omega$
	Operate time	( $t_{ON}$ )	Max.	5.0 ms	1.0 ms	1.0 ms
	Release time	( $t_{OFF}$ )	Max.	3.5 ms	3.0 ms	1.0 ms

### Optimum Operating Conditions

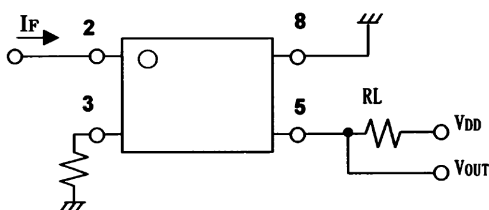
Parameter	Comments and conditions		G3VM-61CR	G3VM-355CR	G3VM-352C
Output voltage strength	$V_{DD}$	Max.	48 V	280V	280 V
Operate LED forward current	$I_F$	Min.	10 mA	5 mA	5 mA
		Typical	— mA	—	7.5 mA
		Max.	30 mA	25 mA	25 mA
Continuous load current	$I_O$	Max.	2000 mA	120 mA	100 mA
Ambient temperature	$T_A$		-25° to 50°C	-20° to 65°C	-20° to 65°C

### Dimensions

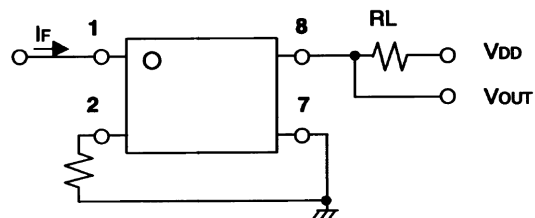
Item	G3VM-61CR	G3VM-355CR	G3VM-352C
Dimensions	See page 93	See page 93	See page 93

### Connections

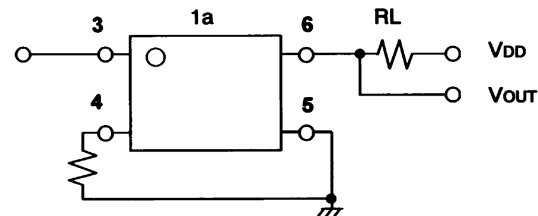
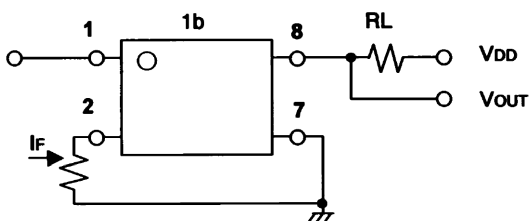
#### G3VM-61CR



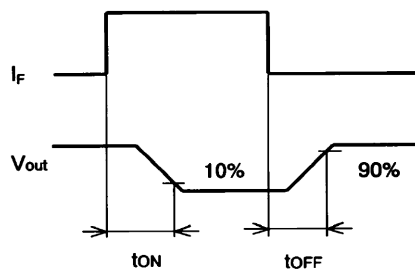
#### G3VM-352C



#### G3VM-355CR



### Timing Chart



## G3VM-402C, -62C1, -W

### Maximum Rating

Parameter		Comments and conditions		G3VM-402C	G3VM-62C1	G3VM-W
Contact form/no. of terminals		—		2 Form A/8 pins	2 Form A/8 pins	2 Form A/8 pins
Input (LED)	LED forward current	$I_F$	Typical	50 mA	50 mA	50 mA
		$I_{FP}$ (100 $\mu$ s pulse, 100 pps)	Max.	1 A	1 A	1 A
	Forward current derating	$T_a \geq 25^\circ\text{C}$		-0.5 mA/ $^\circ\text{C}$	-0.5 mA/ $^\circ\text{C}$	-0.5 mA/ $^\circ\text{C}$
	Reverse voltage	$V_R$	Max.	5 V	5 V	5 V
	Junction temperature ( $T_J$ )			125 $^\circ\text{C}$	125 $^\circ\text{C}$	125 $^\circ\text{C}$
Output (Detector)	Output voltage strength	$V_{OFF}$		400 V	60 V	350 V
	Continuous load current	$I_O$		120 mA	500 mA	120 mA
	ON-state current derating	$T_a \geq 25^\circ\text{C}$		-1.2 mA/ $^\circ\text{C}$	-5.0 mA/ $^\circ\text{C}$	-1.2 mA/ $^\circ\text{C}$
	Junction temperature ( $T_J$ )			125 $^\circ\text{C}$	125 $^\circ\text{C}$	125 $^\circ\text{C}$
Dielectric strength		$V_{I/O}$ for 1 minute min.		2500 VAC	2500 VAC	2500 VAC
Temperature	Ambient	$T_a$ with no icing		-40 $^\circ$ to +85 $^\circ\text{C}$	-40 $^\circ$ to +85 $^\circ\text{C}$	-20 $^\circ$ to +85 $^\circ\text{C}$
	Storage	$T_{stg}$ with no icing		-55 $^\circ$ to +125 $^\circ\text{C}$	-55 $^\circ$ to +125 $^\circ\text{C}$	-55 $^\circ$ to +100 $^\circ\text{C}$

### Electrical Characteristics

Parameter		Comments and conditions		G3VM-402C	G3VM-62C1	G3VM-W
Input	LED forward voltage ( $V_F$ )	$I_F=10$ mA	Min.	1.0 V	1.0 V	1.0 V
			Typical	1.15 V	1.15 V	1.15 V
			Max.	1.3 V	1.3 V	1.3 V
	Reverse current	$I_R$	Max.	10 $\mu$ A	10 $\mu$ A	10 $\mu$ A
	Reverse voltage	$V_R$	Max.	5 V	5 V	5 V
	Capacitance ( $C_T$ )	$V = 0$ ; freq. = 1 MHz		Typical	30 pF	30 pF
Keep ON LED current ( $I_{FT}$ )	At $I_O$	Typical	1	1.6 mA	2 mA	
		Max.	3 mA	3 mA	3 mA	
Output	ON-resistance ( $R_{ON}$ )	$I_F=5$ mA (1a)	Typical	18 $\Omega$ ( $I_{ON}=120$ mA)	1.0 $\Omega$ ( $I_{ON}=500$ mA)	22 $\Omega$ ( $I_{ON}=120$ mA)
			Max.	35 $\Omega$ ( $I_{ON}=120$ mA)	2.0 $\Omega$ ( $I_{ON}=500$ mA)	35 $\Omega$ ( $I_{ON}=120$ mA)
		$I_F=0$ mA (1b)	Typical	—	—	—
			Max.	—	—	—
			Typical	—	—	—
			Max.	—	—	—
	OFF-state leakage current ( $I_{LEAK}$ )	At $V_{OFF}$	Max.	1.0 $\mu$ A	1.0 $\mu$ A	1.0 $\mu$ A
	Capacitance	COFF	Typical	—	—	—
			Max.	—	—	—
	Transfer characteristics	I/O capacitance	( $C_{I/O}$ )	Typical	0.8 pF	0.8 pF
I/O resistance		( $R_{I/O}$ )	Min.	1000 M $\Omega$	1000 M $\Omega$	1000 M $\Omega$
Operate time		( $t_{ON}$ )	Max.	1.0 ms	2.0 ms	1.0 ms
Release time		( $t_{OFF}$ )	Max.	1.0 ms	0.5 ms	1.0 ms



### Optimum Operating Conditions

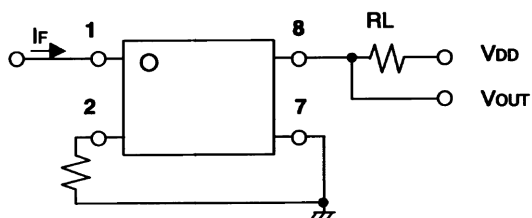
Parameter	Comments and conditions		G3VM-402C	G3VM-62C1	G3VM-W
Output voltage strength	$V_{DD}$	Max.	320 V	48 V	280 V
Operate LED forward current	$I_F$	Min.	5 mA	5 mA	5 mA
		Typical	7.5 mA	7.5	7.5 mA
		Max.	25 mA	25 mA	25 mA
Continuous load current	$I_O$	Max.	100 mA	500 mA	100 mA
Ambient temperature	$T_A$		-20° to 65°C	-20° to 65°C	-20° to 65°C

### Dimensions

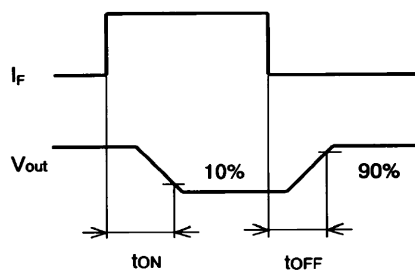
Item	G3VM-402C	G3VM-62C1	G3VM-W
Dimensions	See page 93	See page 93	See page 93

### Connections

G3VM-402C, -62C1, -W



### Timing Chart



## G3VM-WL, -354C

### Maximum Rating

Parameter		Comments and conditions		G3VM-WL	G3VM-354C
Contact form/no. of terminals		—		2 Form A/8 pins	2 Form B/8 pins
Input (LED)	LED forward current	$I_F$	Typical	50 mA	50 mA
		$I_{FP}$ (100 $\mu$ s pulse, 100 pps)	Max.	1 A	1 A
	Forward current derating	$T_a \geq 25^\circ\text{C}$		-0.5 mA/ $^\circ\text{C}$	-0.5 mA/ $^\circ\text{C}$
	Reverse voltage	$V_R$	Max.	6 V	5 V
	Junction temperature ( $T_J$ )			125 $^\circ\text{C}$	125 $^\circ\text{C}$
Output (Detector)	Output voltage strength	$V_{OFF}$		350 V	350 V
	Continuous load current	$I_O$		120 mA	150 mA
	ON-state current derating	$T_a \geq 25^\circ\text{C}$		-1.2 mA/ $^\circ\text{C}$	-1.5 mA/ $^\circ\text{C}$
	Junction temperature ( $T_J$ )			125 $^\circ\text{C}$	125 $^\circ\text{C}$
Dielectric strength		$V_{I/O}$ for 1 minute min.		2500 VAC	2500 VAC
Temperature	Ambient	$T_a$ with no icing		-40 $^\circ\text{C}$ to +85 $^\circ\text{C}$	-40 $^\circ\text{C}$ to +85 $^\circ\text{C}$
	Storage	$T_{stg}$ with no icing		-55 $^\circ\text{C}$ to +125 $^\circ\text{C}$	-55 $^\circ\text{C}$ to +125 $^\circ\text{C}$

### Electrical Characteristics

Parameter		Comments and conditions		G3VM-WL	G3VM-354C
Input	LED forward voltage ( $V_F$ )	$I_F=10$ mA	Min.	1.0 V	1.0 V
			Typical	1.15 V	1.15 V
			Max.	1.3 V	1.3 V
	Reverse current	$I_R$	Max.	10 $\mu$ A	10 $\mu$ A
	Reverse voltage	$V_R$	Max.	6 V	5 V
	Capacitance ( $C_T$ )	$V = 0$ ; freq. = 1 MHz	Typical	30 pF	30 pF
Keep ON LED current ( $I_{FT}$ )	At $I_O$	Typical	1	1 mA	
		Max.	3 mA	3 mA	
Output	ON-resistance ( $R_{ON}$ )	$I_F=5$ mA	Typical	22 $\Omega$ ( $I_{ON}=120$ mA)	15 $\Omega$ ( $I_{ON}=150$ mA)
			Max.	35 $\Omega$ ( $I_{ON}=120$ mA)	25 $\Omega$ ( $I_{ON}=150$ mA)
			Typical	—	—
			Max.	—	—
			Typical	—	—
			Max.	—	—
	OFF-state leakage current ( $I_{LEAK}$ )	At $V_{OFF}$	Max.	1.0 $\mu$ A	1.0 $\mu$ A
	Limit current	$I_{LIM}$	Min.	150 mA	—
			Max.	300 mA	—
	Transfer characteristics	I/O capacitance	( $C_{I/O}$ )	Typical	0.8 pF
I/O resistance		( $R_{I/O}$ )	Min.	1000 M $\Omega$	1000 M $\Omega$
Operate time		( $t_{ON}$ )	Max.	1.0 ms	1.0 ms
Release time		( $t_{OFF}$ )	Max.	1.0 ms	3.0 ms

### Optimum Operating Conditions

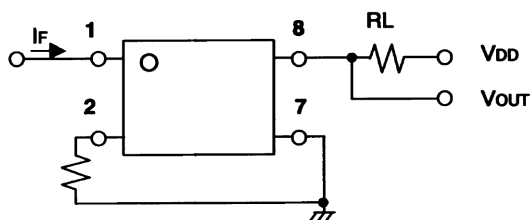
Parameter	Comments and conditions	G3VM-WL	G3VM-354C
Output voltage strength	$V_{DD}$	Max. 280 V	280 V
Operate LED forward current	$I_F$	Min. 5 mA	5 mA
		Typical 7.5 mA	—
		Max. 25 mA	25 mA
Continuous load current	$I_O$	Max. 100 mA	150 mA
Ambient temperature	$T_A$	-20° to 65°C	-20° to 65°C

### Dimensions

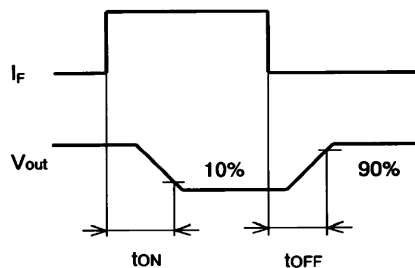
Item	G3VM-WL	G3VM-354C
Dimensions	See page 93	See page 93

### Connections

G3VM-WL, -354C



### Timing Chart



## G3VM-2F(TR), -2FL(TR), -351D(TR)

### Maximum Rating

Parameter		Comments and conditions		G3VM-2F, G3VM-2F(TR)	G3VM-2FL, G3VM-2FL(TR)	G3VM-351D, G3VM-351D(TR)
Contact form/no. of terminals		—		1 Form A/4 pins	1 Form A/4 pins	1 Form A/4 pins
Input (LED)	LED forward current	$I_F$	Typical	50 mA	50 mA	50 mA
		$I_{FP}$ (100 $\mu$ s pulse, 100 pps)	Max.	1 A	1 A	1 A
	Forward current derating	$T_a \geq 25^\circ\text{C}$		-0.5 mA/ $^\circ\text{C}$	-0.5 mA/ $^\circ\text{C}$	-0.5 mA/ $^\circ\text{C}$
	Reverse voltage	$V_R$	Max.	5 V	6 V	5 V
	Junction temperature ( $T_J$ )			125 $^\circ\text{C}$	125 $^\circ\text{C}$	125 $^\circ\text{C}$
Output (Detector)	Output voltage strength	$V_{OFF}$		350 V	350 V	350 V
	Continuous load current	$I_O$		120 mA	120 mA	120 mA
	ON-state current derating	$T_a \geq 25^\circ\text{C}$		-1.2 mA/ $^\circ\text{C}$	-1.2 mA/ $^\circ\text{C}$	-1.2 mA/ $^\circ\text{C}$
	Junction temperature ( $T_J$ )			125 $^\circ\text{C}$	125 $^\circ\text{C}$	125 $^\circ\text{C}$
Dielectric strength		$V_{I/O}$ for 1 minute min.		2500 VAC	2500 VAC	2500 VAC
Temperature	Ambient	$T_a$ with no icing		-20 $^\circ$ to +85 $^\circ\text{C}$	-40 $^\circ$ to +85 $^\circ\text{C}$	-40 $^\circ$ to +85 $^\circ\text{C}$
	Storage	$T_{stg}$ with no icing		-55 $^\circ$ to +100 $^\circ\text{C}$	-55 $^\circ$ to +125 $^\circ\text{C}$	-55 $^\circ$ to +100 $^\circ\text{C}$

### Electrical Characteristics

Parameter		Comments and conditions		G3VM-2F, G3VM-2F(TR)	G3VM-2FL, G3VM-2FL(TR)	G3VM-351D, G3VM-351D(TR)
Input	LED forward voltage ( $V_F$ )	$I_F=10$ mA	Min.	1.0 V	1.0 V	1.0 V
			Typical	1.15 V	1.15 V	1.15 V
			Max.	1.3 V	1.3 V	1.3 V
	Reverse current	$I_R$	Max.	10 $\mu$ A	10 $\mu$ A	10 $\mu$ A
	Reverse voltage	$V_R$	Max.	5 V	6 V	5 V
	Capacitance ( $C_T$ )	$V = 0$ ; freq. = 1 MHz		Typical	30 pF	30 pF
Keep ON LED current ( $I_{FT}$ )	$I_O$		Typical	2 mA ( $I_O = 100$ mA)	1 mA ( $I_O = 120$ mA)	1 mA ( $I_O = 120$ mA)
			Max.	3 mA ( $I_O = 100$ mA)	3 mA ( $I_O = 120$ mA)	3 mA ( $I_O = 120$ mA)
Output	ON-resistance ( $R_{ON}$ )	$I_{ON}=120$ mA $I_F=5$ mA	Typical	22 $\Omega$	22 $\Omega$	35 $\Omega$ (25 $\Omega$ , $t < 1$ s)
			Max.	35 $\Omega$	35 $\Omega$	50 $\Omega$ (35 $\Omega$ , $t < 1$ s)
	OFF-state leakage current ( $I_{LEAK}$ )	$V_{OFF} = 350$ V		Max.	1.0 $\mu$ A	1.0 $\mu$ A
Limit current ( $I_{LIM}$ )	$I_F = 5$ mA, $V_{DD} = 5$ V, $t = 5$ ms		Min.	—	150 mA	—
			Max.	—	300 mA	—
Transfer characteristics	I/O capacitance	$(C_{I/O})$		Typical	0.8 pF	0.8 pF
	I/O resistance	$(R_{I/O})$		Min.	1000 M $\Omega$	1000 M $\Omega$
	Operate time	$(t_{ON})$		Max.	1.0 ms	1.0 ms
	Release time	$(t_{OFF})$		Max.	1.0 ms	1.0 ms

### Optimum Operating Conditions

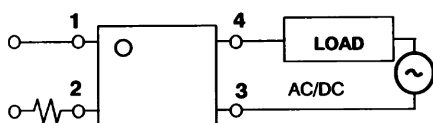
Parameter	Comments and conditions		G3VM-2F, G3VM-2F(TR)	G3VM-2FL, G3VM-2FL(TR)	G3VM-351D, G3VM-351D(TR)
Output voltage strength	$V_{DD}$	Max.	280 V	280 V	280 V
Operate LED forward current	$I_F$	Min.	5 mA	5 mA	5 mA
		Typical	7.5 mA	7.5 mA	7.5 mA
		Max.	25 mA	25 mA	25 mA
Continuous load current	$I_O$	Max.	100 mA	100 mA	100 mA
Ambient temperature	$T_A$		-20° to 65°C	-20° to 65°C	-20° to 65°C

### Dimensions

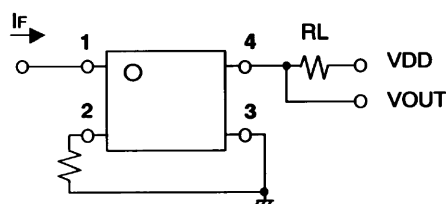
Item	G3VM-2F, G3VM-2F(TR)	G3VM-2FL, G3VM-2FL(TR)	G3VM-351D, G3VM-351D(TR)
Dimensions	See pages 94, 98	See pages 94, 98	See pages 94, 98

### Connections

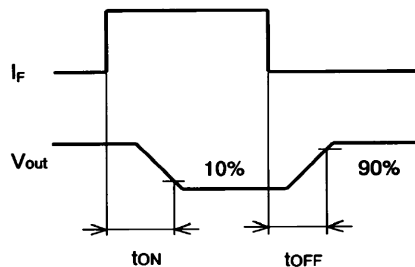
G3VM-2F, -2F(TR), -2FL, -2FL(TR)



G3VM-2F, -2F(TR), -2FL, -2FL(TR), -351D, -351D(TR)



### Timing Chart



**G3VM-353D(TR), -401D(TR), -61D(TR)**

**Maximum Rating**

Parameter		Comments and conditions		G3VM-353D, G3VM-353D(TR)	G3VM-401D, G3VM-401D(TR)	G3VM-61D, G3VM-61D(TR)
Contact form/no. of terminals		—		1 Form B/4 pins	1 Form A/4 pins	1 Form A/4 pins
Input (LED)	LED forward current	$I_F$	Typical	50 mA	50 mA	50 mA
		$I_{FP}$ (100 $\mu$ s pulse, 100 pps)	Max.	1 A	1 A	1 A
	Forward current derating	$T_a \geq 25^\circ\text{C}$		-0.5 mA/ $^\circ\text{C}$	-0.5 mA/ $^\circ\text{C}$	-0.5 mA/ $^\circ\text{C}$
	Reverse voltage	$V_R$	Max.	5 V	5 V	5 V
	Junction temperature ( $T_J$ )			125 $^\circ\text{C}$	125 $^\circ\text{C}$	125 $^\circ\text{C}$
Output (Detector)	Output voltage strength	$V_{OFF}$		350 V	400 V	60 V
	Continuous load current	$I_O$		150 mA	120 mA	500 mA
	ON-state current derating	$T_a \geq 25^\circ\text{C}$		-1.5 mA/ $^\circ\text{C}$	-1.2 mA/ $^\circ\text{C}$	-5.0 mA/ $^\circ\text{C}$
	Junction temperature ( $T_J$ )			125 $^\circ\text{C}$	125 $^\circ\text{C}$	125 $^\circ\text{C}$
Dielectric strength		$V_{IO}$ for 1 minute min.		2500 VAC	2500 VAC	2500 VAC
Temperature	Ambient	$T_a$ with no icing		-40 $^\circ$ to +85 $^\circ\text{C}$	-40 $^\circ$ to +85 $^\circ\text{C}$	-40 $^\circ$ to +85 $^\circ\text{C}$
	Storage	$T_{stg}$ with no icing		-55 $^\circ$ to +125 $^\circ\text{C}$	-55 $^\circ$ to +100 $^\circ\text{C}$	-55 $^\circ$ to +125 $^\circ\text{C}$

**Electrical Characteristics**

Parameter		Comments and conditions		G3VM-353D, G3VM-353D(TR)	G3VM-401D, G3VM-401D(TR)	G3VM-61D, G3VM-61D(TR)
Input	LED forward voltage ( $V_F$ )	$I_F=10$ mA	Min.	1.0 V	1.0 V	1.0 V
			Typical	1.15 V	1.15 V	1.15 V
			Max.	1.3 V	1.3 V	1.3 V
	Reverse current	$I_R$	Max.	10 $\mu$ A	10 $\mu$ A	10 $\mu$ A
	Reverse voltage	$V_R$	Max.	5 V	5 V	5 V
	Capacitance ( $C_T$ )	$V = 0$ ; freq. = 1 MHz		Typical	30 pF	30 pF
Keep ON LED current ( $I_{FT}$ )	At $I_{ON}$	Typical	1 mA	1 mA	1 mA	
		Max.	3 mA	3 mA	3 mA	
Output	ON-resistance ( $R_{ON}$ )	At $I_O$	Typical	15 $\Omega$ ( $I_{ON}=150$ mA)	18 $\Omega$ ( $I_{ON}=120$ mA)	1 $\Omega$ ( $I_{ON}=500$ mA)
			Max.	25 $\Omega$ ( $I_{ON}=150$ mA)	35 $\Omega$ ( $I_{ON}=120$ mA)	2 $\Omega$ ( $I_{ON}=500$ mA)
	OFF-state leakage current ( $I_{LEAK}$ )	At $V_{OFF}$	Max.	1.0 $\mu$ A	1.0 $\mu$ A	1.0 $\mu$ A
Limit current ( $I_{LIM}$ )	$I_F = 5$ mA, $V_{DD} = 5$ V, $t = 5$ ms	Min.	—	—	—	
		Max.	—	—	—	
Transfer characteristics	I/O capacitance	$(C_{IO})$	Typical	0.8 pF	0.8 pF	0.8 pF
	I/O resistance	$(R_{IO})$	Min.	1000 M $\Omega$	1000 M $\Omega$	1000 M $\Omega$
	Operate time	$(t_{ON})$	Max.	1.0 ms	1.0 ms	1.0 ms ( $I_F = 10$ mA)
	Release time	$(t_{OFF})$	Max.	3.0 ms	1.0 ms	1.0 ms ( $I_F = 10$ mA)

### Optimum Operating Conditions

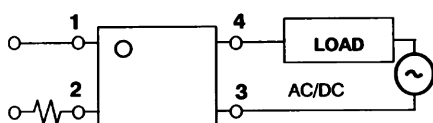
Parameter	Comments and conditions		G3VM-353D, G3VM-353D(TR)	G3VM-401D, G3VM-401D(TR)	G3VM-61D, G3VM-61D(TR)
Output voltage strength	$V_{DD}$	Max.	280 V	320 V	48 V
Operate LED forward current	$I_F$	Min.	5 mA	5 mA	5 mA
		Typical	—	7.5 mA	7.5 mA
		Max.	25 mA	25 mA	25 mA
Continuous load current	$I_O$	Max.	150 mA	100 mA	400 mA
Ambient temperature	$T_A$		-20° to 65°C	-20° to 65°C	-20° to 65°C

### Dimensions

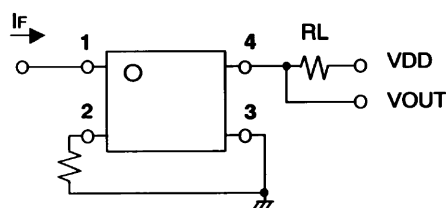
Item	G3VM-353D, G3VM-353D(TR)	G3VM-401D, G3VM-401D(TR)	G3VM-61D, G3VM-61D(TR)
Dimensions	See pages 94, 98	See pages 94, 98	See pages 94, 98

### Connections

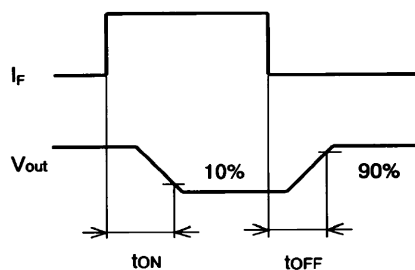
G3VM-353D, -353D(TR)



G3VM-353D, -353D(TR), -401D, -401D(TR), -61D, -61D(TR)



### Timing Chart



## G3VM-61D1(TR), -351E(TR), -353E(TR)

### Maximum Rating

Parameter		Comments and conditions		G3VM-61D1, G3VM-61D1(TR)	G3VM-351E, G3VM-351E(TR)	G3VM-353E, G3VM-353E(TR)
Contact form/no. of terminals		—		1 Form A/4 pins	1 Form A/6 pins	1 Form B/6 pins
Input (LED)	LED forward current	$I_F$	Typical	50 mA	50 mA	50 mA
		$I_{FP}$ (100 $\mu$ s pulse, 100 pps)	Max.	1 A	1 A	1 A
	Forward current derating	$T_a \geq 25^\circ\text{C}$		-0.5 mA/ $^\circ\text{C}$	-0.5 mA/ $^\circ\text{C}$	-0.5 mA/ $^\circ\text{C}$
	Reverse voltage	$V_R$	Max.	5 V	5 V	5 V
	Junction temperature ( $T_j$ )			125 $^\circ\text{C}$	125 $^\circ\text{C}$	125 $^\circ\text{C}$
Output (Detector)	Output voltage strength	$V_{OFF}$		60 V	350 V	350 V
	Continuous load current	$I_O$		500 mA	120 mA (for A) 120 mA (for B) 240 mA (for C)	150 mA (for A) 150 mA (for B) 300 mA (for C)
	ON-state current derating	$T_a \geq 25^\circ\text{C}$		-5.0 mA/ $^\circ\text{C}$	-1.2 mA/ $^\circ\text{C}$ (for A)	-1.5 mA/ $^\circ\text{C}$ (for A)
	Junction temperature ( $T_j$ )			125 $^\circ\text{C}$	125 $^\circ\text{C}$	125 $^\circ\text{C}$
Dielectric strength		$V_{I/O}$ for 1 minute min.		2500 VAC	2500 VAC	2500 VAC
Temperature	Ambient	$T_a$ with no icing		-40 $^\circ$ to +85 $^\circ\text{C}$	-40 $^\circ$ to +85 $^\circ\text{C}$	-40 $^\circ$ to +85 $^\circ\text{C}$
	Storage	$T_{stg}$ with no icing		-55 $^\circ$ to +125 $^\circ\text{C}$	-55 $^\circ$ to +125 $^\circ\text{C}$	-55 $^\circ$ to +125 $^\circ\text{C}$

### Electrical Characteristics

Parameter		Comments and conditions		G3VM-61D1, G3VM-61D1(TR)	G3VM-351E, G3VM-351E(TR)	G3VM-353E, G3VM-353E(TR)
Input	LED forward voltage ( $V_F$ )	$I_F=10$ mA	Min.	1.0 V	1.0 V	1.0 V
			Typical	1.15 V	1.15 V	1.15 V
			Max.	1.3 V	1.3 V	1.3 V
	Reverse current	$I_R$	Max.	10 $\mu$ A	10 $\mu$ A	10 $\mu$ A
	Reverse voltage	$V_R$	Max.	5 V	5 V	5 V
	Capacitance ( $C_T$ )	$V = 0$ ; freq. = 1 MHz	Typical	30 pF	30 pF	30 pF
Keep ON LED current ( $I_{FT}$ )	At $I_{ON}$	Typical	1.6 mA	1 mA	1 mA	
		Max.	3 mA	3 mA	3 mA	
Output	ON-resistance ( $R_{ON}$ )	$I_F=5$ mA	Typical	1 $\Omega$ ( $I_{ON}=500$ mA)	35 $\Omega$ ( $I_{ON}=120$ mA) for connection A	15 $\Omega$ ( $I_{ON}=150$ mA) for connection A
			Max.	2 $\Omega$ ( $I_{ON}=500$ mA)	50 $\Omega$ ( $I_{ON}=120$ mA) for connection A	25 $\Omega$ ( $I_{ON}=150$ mA) for connection A
			Typical	—	28 $\Omega$ ( $I_{ON}=120$ mA) for connection B	8 $\Omega$ ( $I_{ON}=150$ mA) for connection B
			Max.	—	40 $\Omega$ ( $I_{ON}=120$ mA) for connection B	14 $\Omega$ ( $I_{ON}=150$ mA) for connection B
			Typical	—	14 $\Omega$ ( $I_{ON}=240$ mA) for connection C	4 $\Omega$ ( $I_{ON}=300$ mA) for connection C
			Max.	—	20 $\Omega$ ( $I_{ON}=240$ mA) for connection C	7 $\Omega$ ( $I_{ON}=300$ mA) for connection C
	OFF-state leakage current ( $I_{LEAK}$ )	At $V_{OFF}$	Max.	1.0 $\mu$ A	1.0 $\mu$ A	1.0 $\mu$ A
Transfer characteristics	I/O capacitance	( $C_{I/O}$ )	Typical	0.8 pF	0.8 pF	0.8 pF
	I/O resistance	( $R_{I/O}$ )	Min.	1000 M $\Omega$	1000 M $\Omega$	1000 M $\Omega$
	Operate time	( $t_{ON}$ )	Max.	2.0 ms	1.0 ms	1.0 ms
	Release time	( $t_{OFF}$ )	Max.	0.5 ms	1.0 ms	3.0 ms



### Optimum Operating Conditions

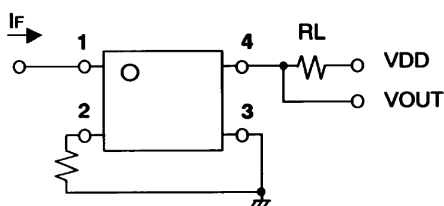
Parameter	Comments and conditions		G3VM-61D1, G3VM-61D1(TR)	G3VM-351E, G3VM-351E(TR)	G3VM-353E, G3VM-353E(TR)
Output voltage strength	$V_{DD}$	Max.	48 V	280 V	280 V
Operate LED forward current	$I_F$	Min.	5 mA	5 mA	5 mA
		Typical	7.5 mA	10 mA	—
		Max.	25 mA	25 mA	25 mA
Continuous load current	$I_O$	Max.	500 mA	100 mA	150 mA
Ambient temperature	$T_A$		-20° to 65°C	-20° to 65°C	-20° to 65°C

### Dimensions

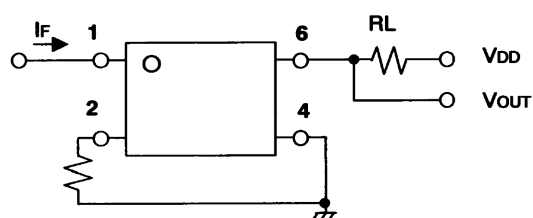
Item	G3VM-61D1, G3VM-61D1(TR)	G3VM-351E, G3VM-351E(TR)	G3VM-353E, G3VM-353E(TR)
Dimensions	See pages 94, 98	See pages 94, 99	See pages 94, 99

### Connections

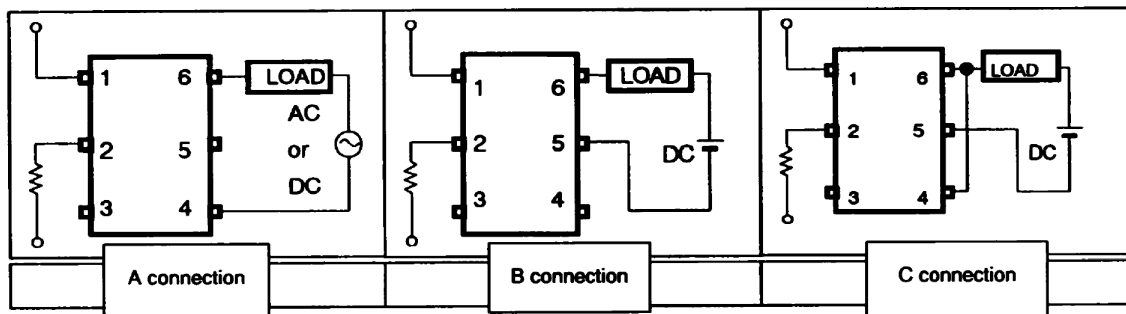
G3VM-61D1, -61D(TR)



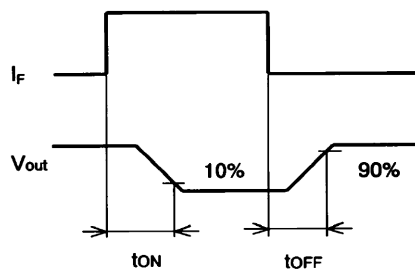
G3VM-351E, -351E(TR), -353E, -353E(TR)



G3VM-351E, -351E(TR), -353E, -353E(TR)



### Timing Chart



## G3VM-3F(TR), -3FL(TR), -401E(TR)

### Maximum Rating

Parameter		Comments and conditions		G3VM-3F, G3VM-3F(TR)	G3VM-3FL, G3VM-3FL(TR)	G3VM-401E, G3VM-401E(TR)
Contact form/no. of terminals		—		1 Form A/6 pins	1 Form A/6 pins	1 Form A/6 pins
Input (LED)	LED forward current	$I_F$	Typical	50 mA	50 mA	50 mA
		$I_{FP}$ (100 $\mu$ s pulse, 100 pps)	Max.	1 A	1 A	1 A
	Forward current derating	$T_a \geq 25^\circ\text{C}$		-0.5 mA/ $^\circ\text{C}$	-0.5 mA/ $^\circ\text{C}$	-0.5 mA/ $^\circ\text{C}$
	Reverse voltage	$V_R$	Max.	5 V	5 V	5 V
	Junction temperature ( $T_J$ )			125 $^\circ\text{C}$	125 $^\circ\text{C}$	125 $^\circ\text{C}$
Output (Detector)	Output voltage strength	$V_{OFF}$		350 V	350 V	400 V
	Continuous load current	$I_O$		120 mA (for A) 120 mA (for B) 160 mA (for C)	120 mA	120 mA (for A) 120 mA (for B) 240 mA (for C)
	ON-state current derating	$T_a \geq 25^\circ\text{C}$		-1.2 mA/ $^\circ\text{C}$ (for A)	-1.2 mA/ $^\circ\text{C}$	-1.2 mA/ $^\circ\text{C}$ (for A)
	Junction temperature ( $T_J$ )			125 $^\circ\text{C}$	125 $^\circ\text{C}$	125 $^\circ\text{C}$
Dielectric strength		$V_{I/O}$ for 1 minute min.		2500 VAC	2500 VAC	2500 VAC
Temperature	Ambient	$T_a$ with no icing		-20 $^\circ$ to +85 $^\circ\text{C}$	-40 $^\circ$ to +85 $^\circ\text{C}$	-40 $^\circ$ to +85 $^\circ\text{C}$
	Storage	$T_{stg}$ with no icing		-55 $^\circ$ to +100 $^\circ\text{C}$	-55 $^\circ$ to +125 $^\circ\text{C}$	-55 $^\circ$ to +125 $^\circ\text{C}$

### Electrical Characteristics

Parameter		Comments and conditions		G3VM-3F, G3VM-3F(TR)	G3VM-3FL, G3VM-3FL(TR)	G3VM-401E, G3VM-401E(TR)
Input	LED forward voltage ( $V_F$ )	$I_F=10$ mA	Min.	1.0 V	1.0 V	1.0 V
			Typical	1.15 V	1.15 V	1.15 V
			Max.	1.3 V	1.3 V	1.3 V
	Reverse current	$I_R$	Max.	10 $\mu$ A	10 $\mu$ A	10 $\mu$ A
	Reverse voltage	$V_R$	Max.	5 V	5 V	5 V
	Capacitance ( $C_T$ )	$V = 0$ ; freq. = 1 MHz		Typical	30 pF	30 pF
Keep ON LED current ( $I_{FT}$ )	At $I_O$	Typical	—	—	1 mA	
		Max.	3 mA	3 mA	3 mA	
Output	ON-resistance ( $R_{ON}$ )	$I_F=5$ mA	Typical	22 $\Omega$ ( $I_{ON}=120$ mA) for connection A	22 $\Omega$ ( $I_{ON}=120$ mA) for connection A	17 $\Omega$ ( $I_{ON}=120$ mA) for connection A
			Max.	35 $\Omega$ ( $I_{ON}=120$ mA) for connection A	35 $\Omega$ ( $I_{ON}=120$ mA) for connection A	35 $\Omega$ ( $I_{ON}=120$ mA) for connection A
			Typical	16 $\Omega$ ( $I_{ON}=120$ mA) for connection B	—	11 $\Omega$ ( $I_{ON}=120$ mA) for connection B
			Max.	23 $\Omega$ ( $I_{ON}=120$ mA) for connection B	—	20 $\Omega$ ( $I_{ON}=120$ mA) for connection B
			Typical	8 $\Omega$ ( $I_{ON}=160$ mA) for connection C	—	6 $\Omega$ ( $I_{ON}=240$ mA) for connection C
			Max.	12 $\Omega$ ( $I_{ON}=160$ mA) for connection C	—	10 $\Omega$ ( $I_{ON}=240$ mA) for connection C
	OFF-state leakage current ( $I_{LEAK}$ )	At $V_{OFF}$	Max.	1.0 $\mu$ A	1.0 $\mu$ A	1.0 $\mu$ A
	Limit current	$(I_{LIM})$	Min.	—	150 mA	—
			Max.	—	300 mA	—
	Transfer characteristics	I/O capacitance	$(C_{I/O})$	Typical	0.8 pF	0.8 pF
I/O resistance		$(R_{I/O})$	Min.	1000 M $\Omega$	1000 M $\Omega$	1000 M $\Omega$
Operate time		$(t_{ON})$	Max.	1.0 ms	1.0 ms	1.0 ms
Release time		$(t_{OFF})$	Max.	1.0 ms	1.0 ms	1.0 ms

### Optimum Operating Conditions

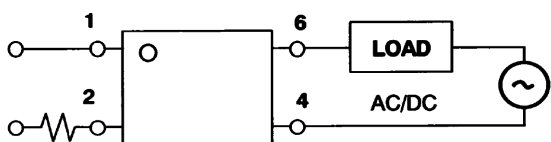
Parameter	Comments and conditions		G3VM-3F, G3VM-3F(TR)	G3VM-3FL, G3VM-3FL(TR)	G3VM-401E, G3VM-401E(TR)
Output voltage strength	$V_{DD}$	Max.	280 V	280 V	320 V
Operate LED forward current	$I_F$	Min.	5 mA	5 mA	5 mA
		Typical	7.5 mA	7.5 mA	7.5 mA
		Max.	25 mA	25 mA	25 mA
Continuous load current	$I_O$	Max.	120 mA	120 mA	120 mA
Ambient temperature	$T_A$		-20° to 65°C	-20° to 65°C	-20° to 65°C

### Dimensions

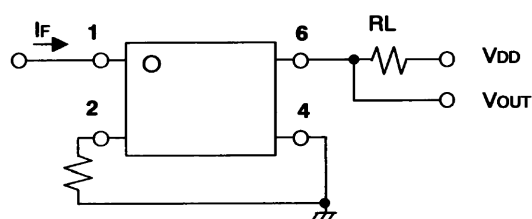
Item	G3VM-3F, G3VM-3F(TR)	G3VM-3FL, G3VM-3FL(TR)	G3VM-401E, G3VM-401E(TR)
Dimensions	See pages 94, 99	See pages 94, 99	See pages 94, 99

### Connections

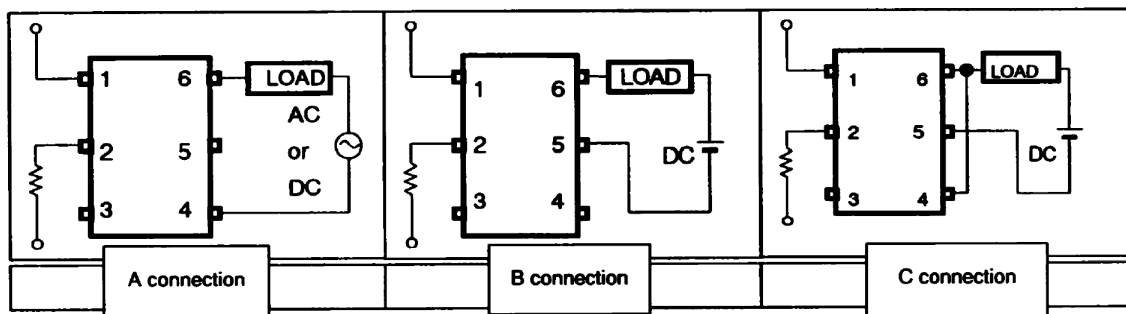
G3VM-3FL, -3FL(TR)



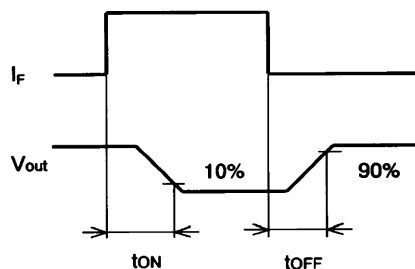
G3VM-3F, -3F(TR), -3FL, -3FL(TR), -401E, -401E(TR)



G3VM-3F, -3F(TR), -401E, -401E(TR)



### Timing Chart



## G3VM-401EY(TR), -601EY(TR), G3VM-61E(TR)

### Maximum Rating

Parameter		Comments and conditions		G3VM-401EY, G3VM-401EY(TR)	G3VM-601EY, G3VM-601EY(TR)	G3VM-61E, G3VM-61E(TR)
Contact form/no. of terminals		—		1 Form A/6 pins	1 Form A/6 pins	1 Form A/6 pins
Input (LED)	LED forward current	$I_F$	Typical	50 mA	50 mA	50 mA
		$I_{FP}$ (100 $\mu$ s pulse, 100 pps)	Max.	1 A	1 A	1 A
	Forward current derating	$T_a \geq 25^\circ\text{C}$		-0.5 mA/ $^\circ\text{C}$	-0.5 mA/ $^\circ\text{C}$	-0.5 mA/ $^\circ\text{C}$
	Reverse voltage	$V_R$	Max.	5 V	5 V	5 V
	Junction temperature ( $T_J$ )			125 $^\circ\text{C}$	125 $^\circ\text{C}$	125 $^\circ\text{C}$
Output (Detector)	Output voltage strength	$V_{OFF}$		400 V	600 V	60 V
	Continuous load current	$I_O$		120 mA (for A) 120 mA (for B) 240 mA (for C)	100 mA (for A) 100 mA (for B) 200 mA (for C)	500 mA (for A) 500 mA (for B) 1000 mA (for C)
	ON-state current derating	$T_a \geq 25^\circ\text{C}$		-1.2 mA/ $^\circ\text{C}$ (for A)	-1.0 mA/ $^\circ\text{C}$ (for A)	-5.0 mA/ $^\circ\text{C}$ (for A)
	Junction temperature ( $T_J$ )			125 $^\circ\text{C}$	125 $^\circ\text{C}$	125 $^\circ\text{C}$
Dielectric strength		$V_{i/O}$ for 1 minute min.		5000 VAC	5000 VAC	2500 VAC
Temperature	Ambient	$T_a$ with no icing		-40 $^\circ$ to +85 $^\circ\text{C}$	-40 $^\circ$ to +85 $^\circ\text{C}$	-40 $^\circ$ to +85 $^\circ\text{C}$
	Storage	$T_{stg}$ with no icing		-55 $^\circ$ to +125 $^\circ\text{C}$	-55 $^\circ$ to +125 $^\circ\text{C}$	-55 $^\circ$ to +125 $^\circ\text{C}$

### Electrical Characteristics

Parameter		Comments and conditions		G3VM-401EY, G3VM-401EY(TR)	G3VM-601EY, G3VM-601EY(TR)	G3VM-61E, G3VM-61E(TR)
Input	LED forward voltage ( $V_F$ )	$I_F=10$ mA	Min.	1.0 V	1.0 V	1.0 V
			Typical	1.15 V	1.15 V	1.15 V
			Max.	1.3 V	1.3 V	1.3 V
	Reverse current	$I_R$	Max.	10 $\mu$ A	10 $\mu$ A	10 $\mu$ A
	Reverse voltage	$V_R$	Max.	5 V	5 V	5 V
	Capacitance ( $C_T$ )	$V = 0$ ; freq. = 1 MHz		Typical	30 pF	30 pF
Keep ON LED current ( $I_{FT}$ )	At $I_O$		Typical	—	1.6 mA	—
			Max.	3 mA	5 mA	3 mA
Output	ON-resistance ( $R_{ON}$ )	$I_F=5$ mA	Typical	17 $\Omega$ ( $I_{ON}=120$ mA) for connection A	22 $\Omega$ ( $I_{ON}=100$ mA) for connection A	1 $\Omega$ ( $I_{ON}=500$ mA) for connection A
				Max.	35 $\Omega$ ( $I_{ON}=120$ mA) for connection A	35 $\Omega$ ( $I_{ON}=100$ mA) for connection A
			Typical	11 $\Omega$ ( $I_{ON}=120$ mA) for connection B	17 $\Omega$ ( $I_{ON}=100$ mA) for connection B	0.5 $\Omega$ ( $I_{ON}=500$ mA) for connection B
				Max.	20 $\Omega$ ( $I_{ON}=120$ mA) for connection B	27 $\Omega$ ( $I_{ON}=100$ mA) for connection B
			Typical	6 $\Omega$ ( $I_{ON}=240$ mA) for connection C	8.5 $\Omega$ ( $I_{ON}=200$ mA) for connection C	0.3 $\Omega$ ( $I_{ON}=1000$ mA) for connection C
				Max.	10 $\Omega$ ( $I_{ON}=240$ mA) for connection C	13.5 $\Omega$ ( $I_{ON}=200$ mA) for connection C
	OFF-state leakage current ( $I_{LEAK}$ )	At $V_{OFF}$	Max.	1.0 $\mu$ A	1.0 $\mu$ A	1.0 $\mu$ A
Transfer characteristics	I/O capacitance	( $C_{i/O}$ )	Typical	0.8 pF	0.8 pF	0.8 pF
	I/O resistance	( $R_{i/O}$ )	Min.	1000 M $\Omega$	1000 M $\Omega$	1000 M $\Omega$
	Operate time	( $t_{ON}$ )	Max.	1.0 ms	1.5 ms	1.0 ms
	Release time	( $t_{OFF}$ )	Max.	1.0 ms	1.0 ms	1.0 ms

### Optimum Operating Conditions

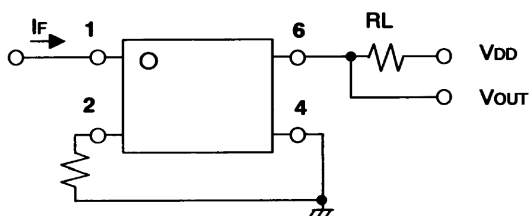
Parameter	Comments and conditions		G3VM-401EY, G3VM-401EY(TR)	G3VM-601EY, G3VM-601EY(TR)	G3VM-61E, G3VM-61E(TR)
Output voltage strength	$V_{DD}$	Max.	320 V	480 V	48 V
Operate LED forward current	$I_F$	Min.	5 mA	5 mA	5 mA
		Typical	7.5 mA	—	7.5 mA
		Max.	25 mA	25 mA	25 mA
Continuous load current	$I_O$	Max.	120 mA	100 mA	400 mA
Ambient temperature	$T_A$		-20° to 65°C	-20° to 65°C	-20° to 65°C

### Dimensions

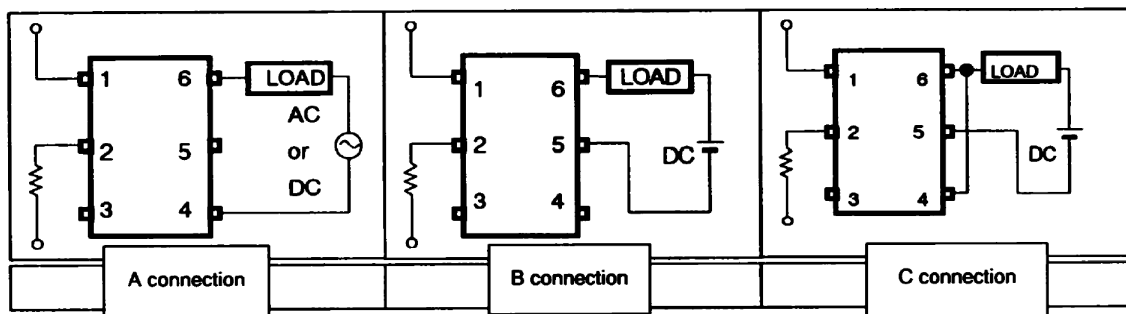
Item	G3VM-401EY, G3VM-401EY(TR)	G3VM-601EY, G3VM-601EY(TR)	G3VM-61E, G3VM-61E(TR)
Dimensions	See pages 94, 99	See pages 94, 99	See pages 94, 99

### Connections

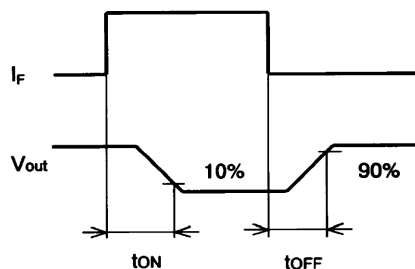
G3VM-401EY, -401EY(TR), -601EY, -601EY(TR), -61E, -61E(TR)



G3VM-401EY, -401EY(TR), -601EY, -601EY(TR), -61E, -61E(TR)



### Timing Chart



## G3VM-61E1(TR), -VF(TR)

### Maximum Rating

Parameter		Comments and conditions		G3VM-61E1, G3VM-61E1(TR)	G3VM-VF, G3VM-VF(TR)
Contact form/no. of terminals		—		1 Form A/6 pins	1 Form A/6 pins
Input (LED)	LED forward current	$I_F$	Typical	50 mA	50 mA
		$I_{FP}$ (100 $\mu$ s pulse, 100 pps)	Max.	1 A	1 A
	Forward current derating	$T_a \geq 25^\circ\text{C}$		-0.5 mA/ $^\circ\text{C}$	-0.5 mA/ $^\circ\text{C}$
	Reverse voltage	$V_R$	Max.	5 V	5 V
	Junction temperature ( $T_J$ )			125 $^\circ\text{C}$	125 $^\circ\text{C}$
Output (Detector)	Output voltage strength	$V_{OFF}$		60 V	60 V
	Continuous load current	$I_O$		500 mA (for A) 500 mA (for B) 1000 mA (for C)	300 mA (for A) 450 mA (for B) 600 mA (for C)
	ON-state current derating	$T_a \geq 25^\circ\text{C}$		-5.0 mA/ $^\circ\text{C}$ (for A)	-3.0 mA/ $^\circ\text{C}$ (for A)
	Junction temperature ( $T_J$ )			125 $^\circ\text{C}$	125 $^\circ\text{C}$
Dielectric strength		$V_{IO}$ for 1 minute min.		2500 VAC	2500 VAC
Temperature	Ambient	$T_a$ with no icing		-40 $^\circ$ to +85 $^\circ\text{C}$	-20 $^\circ$ to +85 $^\circ\text{C}$
	Storage	$T_{stg}$ with no icing		-55 $^\circ$ to +125 $^\circ\text{C}$	-55 $^\circ$ to +100 $^\circ\text{C}$

### Electrical Characteristics

Parameter		Comments and conditions		G3VM-61E1, G3VM-61E1(TR)	G3VM-VF, G3VM-VF(TR)
Input	LED forward voltage ( $V_F$ )	$I_F=10$ mA	Min.	1.0 V	1.0 V
			Typical	1.15 V	1.15 V
			Max.	1.3 V	1.3 V
	Reverse current	$I_R$	Max.	10 $\mu$ A	10 $\mu$ A
	Reverse voltage	$V_R$	Max.	5 V	5 V
	Capacitance ( $C_T$ )	$V = 0$ ; freq. = 1 MHz		Typical	30 pF
Keep ON LED current ( $I_{FT}$ )	At $I_O$		Typical	1.6 mA	1 mA
			Max.	3 mA	5 mA
Output	ON-resistance ( $R_{ON}$ )	$I_F=5$ mA	Typical	1 $\Omega$ ( $I_{ON}=500$ mA) for connection A	1.4 $\Omega$ ( $I_{ON}=300$ mA) for connection A
			Max.	2 $\Omega$ ( $I_{ON}=500$ mA) for connection A	2 $\Omega$ ( $I_{ON}=300$ mA) for connection A
			Typical	0.5 $\Omega$ ( $I_{ON}=500$ mA) for connection B	0.7 $\Omega$ ( $I_{ON}=450$ mA) for connection B
			Max.	1 $\Omega$ ( $I_{ON}=500$ mA) for connection B	1 $\Omega$ ( $I_{ON}=450$ mA) for connection B
			Typical	0.25 $\Omega$ ( $I_{ON}=1000$ mA) for connection C	0.35 $\Omega$ ( $I_{ON}=600$ mA) for connection C
			Max.	—	0.5 $\Omega$ ( $I_{ON}=600$ mA) for connection C
OFF-state leakage current ( $I_{LEAK}$ )	At $V_{OFF}$		Max.	1.0 $\mu$ A	1.0 $\mu$ A
Transfer characteristics	I/O capacitance	$(C_{IO})$		Typical	0.8 pF
	I/O resistance	$(R_{IO})$		Min.	1000 M $\Omega$
	Operate time	$(t_{ON})$		Max.	2.0 ms
	Release time	$(t_{OFF})$		Max.	0.5 ms

### Optimum Operating Conditions

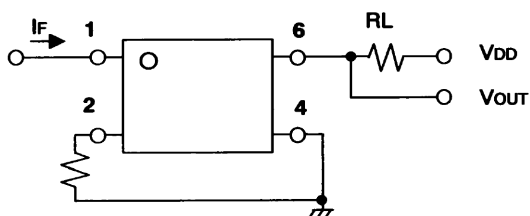
Parameter	Comments and conditions		G3VM-61E1, G3VM-61E1(TR)	G3VM-VF, G3VM-VF(TR)
Output voltage strength	$V_{DD}$	Max.	48 V	48 V
Operate LED forward current	$I_F$	Min.	5 mA	7.5 mA
		Typical	7.5 mA	15 mA
		Max.	25 mA	25 mA
Continuous load current	$I_O$	Max.	500 mA	300 mA
Ambient temperature	$T_A$		-20° to 65°C	-20° to 80°C

### Dimensions

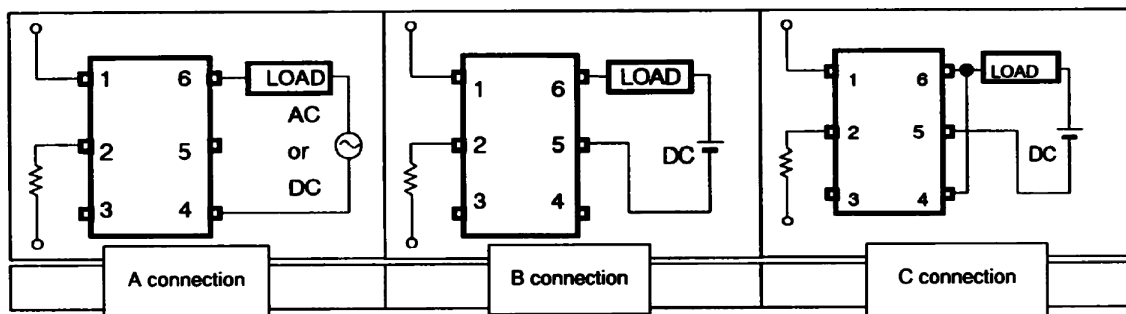
Item	G3VM-61E1, G3VM-61E1(TR)	G3VM-VF, G3VM-VF(TR)
Dimensions	See pages 94, 99	See pages 94, 99

### Connections

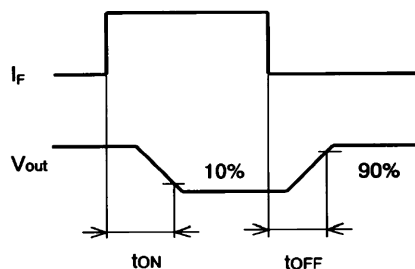
G3VM-61E1, -61E1(TR), -VF, -VF(TR)



G3VM-61E1, -61E1(TR), -VF, -VF(TR)



### Timing Chart



## G3VM-22FO(TR)

### Maximum Rating

Parameter		Comments and conditions		G3VM-22FO, G3VM-22FO(TR)
Contact form/no. of terminals		—		1 Form A/8 pins
Input (LED)	LED forward current	$I_F$	Typical	50 mA
		$I_{FP}$ (100 $\mu$ s pulse, 100 pps)	Max.	1 A
	Forward current derating	$T_a \geq 25^\circ\text{C}$		-0.5 mA/ $^\circ\text{C}$
	Reverse voltage	$V_R$	Max.	6 V
	Junction temperature ( $T_J$ )			125 $^\circ\text{C}$
Output (Detector)	Output voltage strength	$V_{OFF}$		20 V
	Continuous load current	$I_O$		150 mA
	ON-state current derating	$T_a \geq 25^\circ\text{C}$		-1.5 mA/ $^\circ\text{C}$
	Junction temperature ( $T_J$ )			125 $^\circ\text{C}$
Dielectric strength		$V_{I/O}$ for 1 minute min.		2500 VAC
Temperature	Ambient	$T_a$ with no icing		-40 $^\circ$ to +85 $^\circ\text{C}$
	Storage	$T_{stg}$ with no icing		-55 $^\circ$ to +125 $^\circ\text{C}$

### Electrical Characteristics

Parameter		Comments and conditions		G3VM-22FO, G3VM-22FO(TR)
Input	LED forward voltage ( $V_F$ )	$I_F=10$ mA	Min.	1.0 V
			Typical	1.15 V
			Max.	1.3 V
	Reverse current	$I_R$	Max.	10 $\mu$ A
	Reverse voltage	$V_R$	Max.	6 V
	Capacitance ( $C_T$ )	$V = 0$ ; freq. = 1 MHz		Typical
Keep ON LED current ( $I_{FT}$ )	At $I_O$	Typical	1.5 mA	
		Max.	5 mA	
Output	ON-resistance ( $R_{ON}$ )	$I_F=5$ mA	Typical	2 $\Omega$ ( $I_{ON}=150$ mA)
			Max.	4 $\Omega$ ( $I_{ON}=150$ mA)
			Typical	—
			Max.	—
			Typical	—
			Max.	—
OFF-state leakage current ( $I_{LEAK}$ )	At $V_{OFF}$	Max.	1.0 $\mu$ A	
Transfer characteristics	I/O capacitance	( $C_{I/O}$ )	Typical	0.8 pF
	I/O resistance	( $R_{I/O}$ )	Min.	1000 M $\Omega$
	Operate time	( $t_{ON}$ )	Max.	1.0 ms
	Release time	( $t_{OFF}$ )	Max.	1.0 ms



### Optimum Operating Conditions

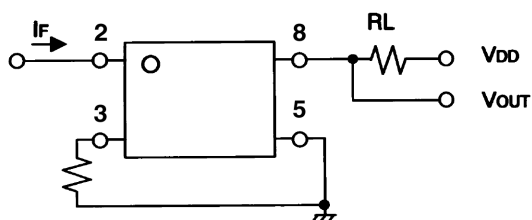
Parameter	Comments and conditions		G3VM-22FO, G3VM-22FO(TR)
Output voltage strength	$V_{DD}$	Max.	20 V
Operate LED forward current	$I_F$	Min.	5 mA
		Typical	— mA
		Max.	30 mA
Continuous load current	$I_O$	Max.	150 mA
Ambient temperature	$T_A$		-20° to 65°C

### Dimensions

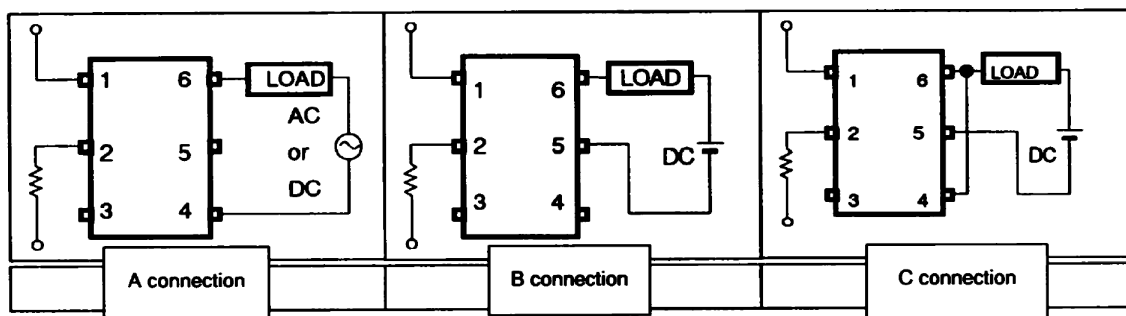
Item	G3VM-22FO, G3VM-22FO(TR)
Dimensions	See pages 95, 99

### Connections

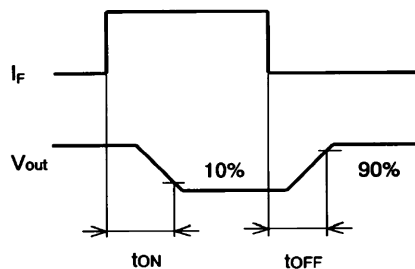
G3VM-22FO, -22FO(TR)



G3VM-22FO, -22FO(TR)



### Timing Chart



## G3VM-61FP(TR), -61FR(TR), -355FR(TR)

### Maximum Rating

Parameter		Comments and conditions		G3VM-61FP, G3VM-61FP(TR)	G3VM-61FR, G3VM-61FR(TR)	G3VM-355FR, G3VM-355FR(TR)
Contact form/no. of terminals		—		1 Form A/8 pins	1 Form A/8 pins	1FormA+1FormB/ 8 pins
Input (LED)	LED forward current	$I_F$	Typical	50 mA	50 mA	50 mA
		$I_{FP}$ (100 $\mu$ s pulse, 100 pps)	Max.	1 A	1 A	1 A
	Forward current derating	$T_a \geq 25^\circ\text{C}$		-0.5 mA/ $^\circ\text{C}$	-0.5 mA/ $^\circ\text{C}$	-0.5 mA/ $^\circ\text{C}$
	Reverse voltage	$V_R$	Max.	6 V	6 V	5 V
	Junction temperature ( $T_J$ )			125 $^\circ\text{C}$	125 $^\circ\text{C}$	125 $^\circ\text{C}$
Output (Detector)	Output voltage strength	$V_{OFF}$		60 V	60 V	350 V
	Continuous load current	$I_O$		500 mA	2000 mA	120 mA
	ON-state current derating	$T_a \geq 25^\circ\text{C}$		-5.0 mA/ $^\circ\text{C}$	-20 mA/ $^\circ\text{C}$	-1.2 mA/ $^\circ\text{C}$
	Junction temperature ( $T_J$ )			125 $^\circ\text{C}$	125 $^\circ\text{C}$	125 $^\circ\text{C}$
Dielectric strength		$V_{I/O}$ for 1 minute min.		2500 VAC	1500 VAC	2500 VAC
Temperature	Ambient	$T_a$ with no icing		-40 $^\circ$ to +85 $^\circ\text{C}$	-20 $^\circ$ to +85 $^\circ\text{C}$	-40 $^\circ$ to +85 $^\circ\text{C}$
	Storage	$T_{stg}$ with no icing		-55 $^\circ$ to +125 $^\circ\text{C}$	-55 $^\circ$ to +125 $^\circ\text{C}$	-55 $^\circ$ to +125 $^\circ\text{C}$

### Electrical Characteristics

Parameter		Comments and conditions		G3VM-61FP, G3VM-61FP(TR)	G3VM-61FR, G3VM-61FR(TR)	G3VM-355FR, G3VM-355FR(TR)
Input	LED forward voltage ( $V_F$ )	$I_F=10$ mA	Min.	1.0 V	1.0 V	1.0 V
			Typical	1.2 V	1.2 V	1.15 V
			Max.	1.4 V	1.4 V	1.3 V
	Reverse current	$I_R$	Max.	10 $\mu$ A	10 $\mu$ A	10 $\mu$ A
	Reverse voltage	$V_R$	Max.	6 V	6 V	5 V
	Capacitance ( $C_T$ )	$V = 0$ ; freq. = 1 MHz	Typical	15 pF	15 pF	30 pF
Keep ON LED current ( $I_{FT}$ )	At $I_O$	Typical	—	—	1 mA	
		Max.	5 mA	5 mA	3 mA	
Output	ON-resistance ( $R_{ON}$ )	$I_F=5$ mA (1a)	Typical	0.3 $\Omega$ ( $I_{ON}=500$ mA)	—	15 $\Omega$ ( $I_{ON}=120$ mA)
			Max.	0.6 $\Omega$ ( $I_{ON}=500$ mA)	0.12 $\Omega$ ( $I_{ON}=1000$ mA)	25 $\Omega$ ( $I_{ON}=120$ mA)
		$I_F=0$ mA (1b)	Typical	—	—	15 $\Omega$ ( $I_{ON}=120$ mA)
			Max.	—	—	25 $\Omega$ ( $I_{ON}=120$ mA)
	OFF-state leakage current ( $I_{LEAK}$ )	At $V_{OFF}$	Max.	1.0 $\mu$ A	4.0 $\mu$ A	1.0 $\mu$ A
	Capacitance	$C_{OFF}$	Typical	200 pF	—	—
Transfer characteristics	I/O capacitance	( $C_{I/O}$ )	Typical	0.8 pF	0.8 pF	0.8 pF
	I/O resistance	( $R_{I/O}$ )	Min.	1000 M $\Omega$	1000 M $\Omega$	1000 M $\Omega$
	Operate time	( $t_{ON}$ )	Max.	2.0 ms	5.0 ms	1.0 ms
	Release time	( $t_{OFF}$ )	Max.	0.5 ms	3.5 ms	3.0 ms

### Optimum Operating Conditions

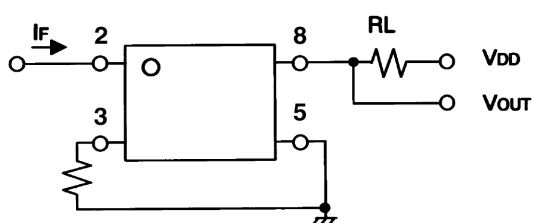
Parameter	Comments and conditions		G3VM-61FP, G3VM-61FP(TR)	G3VM-61FR, G3VM-61FR(TR)	G3VM-355FR, G3VM-355FR(TR)
Output voltage strength	$V_{DD}$	Max.	48 V	48 V	280 V
Operate LED forward current	$I_F$	Min.	10 mA	10 mA	5 mA
		Typical	— mA	—	—
		Max.	30 mA	30 mA	25 mA
Continuous load current	$I_O$	Max.	500 mA	2000 mA	120 mA
Ambient temperature	$T_A$		-25° to 50°C	-20° to 50°C	-20° to 65°C

### Dimensions

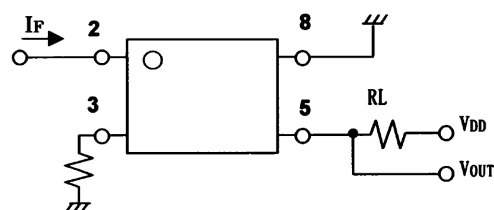
Item	G3VM-61FP, G3VM-61FP(TR)	G3VM-61FR, G3VM-61FR(TR)	G3VM-355FR, G3VM-355FR(TR)
Dimensions	See pages 95, 99	See pages 95, 99	See pages 95, 99

### Connections

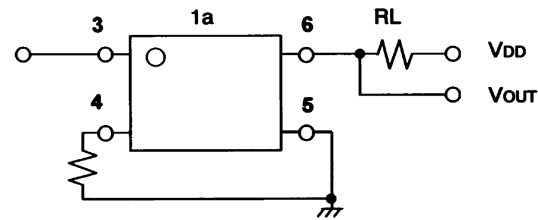
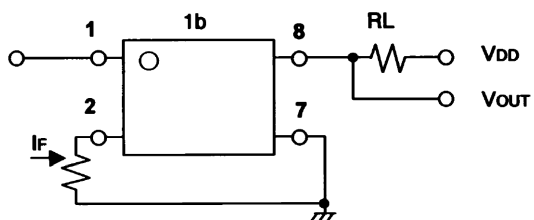
G3VM-61FP, -61FP(TR)



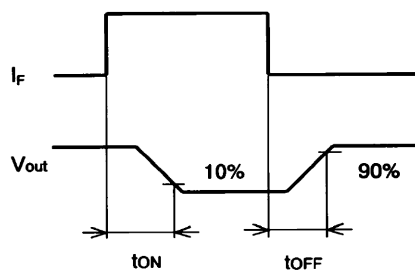
G3VM-61FR, -61FR(TR)



G3VM-355FR, -355FR(TR)



### Timing Chart



## G3VM-352F(TR), -402F(TR), -62F1(TR)

### Maximum Rating

Parameter		Comments and conditions		G3VM-352F, G3VM-352F(TR)	G3VM-402F, G3VM-402F(TR)	G3VM-62F1, G3VM-62F1(TR)
Contact form/no. of terminals		—		2 Form A/8 pins	2 Form A/8 pins	2 Form A/8 pins
Input (LED)	LED forward current	$I_F$	Typical	50 mA	50 mA	50 mA
		$I_{FP}$ (100 $\mu$ s pulse, 100 pps)	Max.	1 A	1 A	1 A
	Forward current derating	$T_a \geq 25^\circ\text{C}$		-0.5 mA/ $^\circ\text{C}$	-0.5 mA/ $^\circ\text{C}$	-0.5 mA/ $^\circ\text{C}$
	Reverse voltage	$V_R$	Max.	5 V	5 V	5 V
	Junction temperature ( $T_J$ )			125 $^\circ\text{C}$	125 $^\circ\text{C}$	125 $^\circ\text{C}$
Output (Detector)	Output voltage strength	$V_{OFF}$		350 V	400 V	60 V
	Continuous load current	$I_O$		120 mA	120 mA	500 mA
	ON-state current derating	$T_a \geq 25^\circ\text{C}$		-1.2 mA/ $^\circ\text{C}$	-1.2 mA/ $^\circ\text{C}$	-5.0 mA/ $^\circ\text{C}$
	Junction temperature ( $T_J$ )			125 $^\circ\text{C}$	125 $^\circ\text{C}$	125 $^\circ\text{C}$
Dielectric strength		$V_{IO}$ for 1 minute min.		2500 VAC	2500 VAC	2500 VAC
Temperature	Ambient	$T_a$ with no icing		-40 $^\circ$ to +85 $^\circ\text{C}$	-40 $^\circ$ to +85 $^\circ\text{C}$	-40 $^\circ$ to +85 $^\circ\text{C}$
	Storage	$T_{stg}$ with no icing		-55 $^\circ$ to +125 $^\circ\text{C}$	-55 $^\circ$ to +125 $^\circ\text{C}$	-55 $^\circ$ to +125 $^\circ\text{C}$

### Electrical Characteristics

Parameter		Comments and conditions		G3VM-352F, G3VM-352F(TR)	G3VM-402F, G3VM-402F(TR)	G3VM-62F1, G3VM-62F1(TR)
Input	LED forward voltage ( $V_F$ )	$I_F=10$ mA	Min.	1.0 V	1.0 V	1.0 V
			Typical	1.15 V	1.15 V	1.15 V
			Max.	1.3 V	1.3 V	1.3 V
	Reverse current	$I_R$	Max.	10 $\mu$ A	10 $\mu$ A	10 $\mu$ A
	Reverse voltage	$V_R$	Max.	5 V	5 V	5 V
	Capacitance ( $C_T$ )	$V = 0$ ; freq. = 1 MHz		Typical	30 pF	30 pF
	Keep ON LED current ( $I_{FT}$ )	At $I_O$	Typical	1	1 mA	1.6 mA
			Max.	3 mA	3 mA	3 mA
Output	ON-resistance ( $R_{ON}$ )	$I_F=5$ mA	Typical	35 $\Omega$ (25 $\Omega$ , $t < 1$ s)	18 $\Omega$ ( $I_{ON}=120$ mA)	1.0 $\Omega$ ( $I_{ON}=500$ mA)
			Max.	50 $\Omega$ (35 $\Omega$ , $t < 1$ s)	35 $\Omega$ ( $I_{ON}=120$ mA)	2.0 $\Omega$ ( $I_{ON}=500$ mA)
	OFF-state leakage current ( $I_{LEAK}$ )	At $V_{OFF}$		Max.	1.0 $\mu$ A	1.0 $\mu$ A
	Capacitance	COFF	Typical	—	—	—
Max.			—	—	—	
Transfer characteristics	I/O capacitance	$(C_{IO})$		Typical	0.8 pF	0.8 pF
	I/O resistance	$(R_{IO})$		Min.	1000 M $\Omega$	1000 M $\Omega$
	Operate time	$(t_{ON})$		Max.	1.0 ms	2.0 ms
	Release time	$(t_{OFF})$		Max.	1.0 ms	0.5 ms

### Optimum Operating Conditions

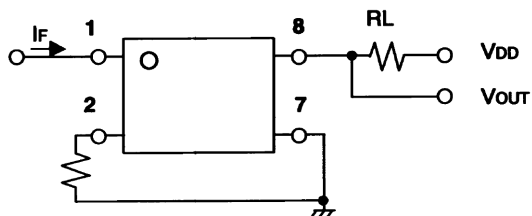
Parameter		Comments and conditions		G3VM-352F, G3VM-352F(TR)	G3VM-402F, G3VM-402F(TR)	G3VM-62F1, G3VM-62F1(TR)
Output voltage strength		$V_{DD}$	Max.	280 V	320 V	48 V
Operate LED forward current	$I_F$	Min.		5 mA	5 mA	5 mA
		Typical		7.5 mA	7.5	7.5 mA
		Max.		25 mA	25 mA	25 mA
Continuous load current		$I_O$	Max.	100 mA	100 mA	500 mA
Ambient temperature		$T_A$		-20 $^\circ$ to 65 $^\circ\text{C}$	-20 $^\circ$ to 65 $^\circ\text{C}$	-20 $^\circ$ to 65 $^\circ\text{C}$

**Dimensions**

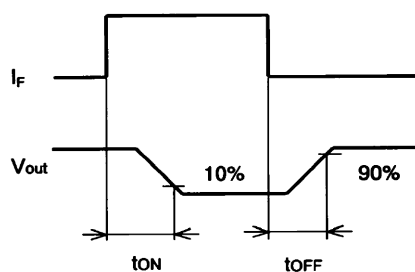
Item	G3VM-352F, G3VM-352F(TR)	G3VM-402F, G3VM-402F(TR)	G3VM-62F1, G3VM-62F1(TR)
Dimensions	See pages 95, 99	See pages 95, 99	See pages 95,99

**Connections**

G3VM-352FR, -352FR(TR), -402F, -402F(TR), -62F1, -62F1(TR)



**Timing Chart**



## G3VM-WF(TR), -WFL(TR), -354F(TR)

### Maximum Rating

Parameter		Comments and conditions		G3VM-WF, G3VM-WF(TR)	G3VM-WFL, G3VM-WFL(TR)	G3VM-354F, G3VM-354F(TR)
Contact form/no. of terminals		—		2 Form A/8 pins	2 Form A/8 pins	2 Form B/8 pins
Input (LED)	LED forward current	$I_F$	Typical	50 mA	50 mA	50 mA
		$I_{FP}$ (100 $\mu$ s pulse, 100 pps)	Max.	1 A	1 A	1 A
	Forward current derating	$T_a \geq 25^\circ\text{C}$		-0.5 mA/ $^\circ\text{C}$	-0.5 mA/ $^\circ\text{C}$	-0.5 mA/ $^\circ\text{C}$
	Reverse voltage	$V_R$	Max.	5 V	6 V	5 V
	Junction temperature ( $T_J$ )			125 $^\circ\text{C}$	125 $^\circ\text{C}$	125 $^\circ\text{C}$
Output (Detector)	Output voltage strength	$V_{OFF}$		350 V	350 V	350 V
	Continuous load current	$I_O$		120 mA	120 mA	150 mA
	ON-state current derating	$T_a \geq 25^\circ\text{C}$		-1.2 mA/ $^\circ\text{C}$	-1.2 mA/ $^\circ\text{C}$	-1.5 mA/ $^\circ\text{C}$
	Junction temperature ( $T_J$ )			125 $^\circ\text{C}$	125 $^\circ\text{C}$	125 $^\circ\text{C}$
Dielectric strength		$V_{I/O}$ for 1 minute min.		2500 VAC	2500 VAC	2500 VAC
Temperature	Ambient	$T_a$ with no icing		-20 $^\circ$ to +85 $^\circ\text{C}$	-40 $^\circ$ to +85 $^\circ\text{C}$	-40 $^\circ$ to +85 $^\circ\text{C}$
	Storage	$T_{stg}$ with no icing		-55 $^\circ$ to +100 $^\circ\text{C}$	-55 $^\circ$ to +125 $^\circ\text{C}$	-55 $^\circ$ to +125 $^\circ\text{C}$

### Electrical Characteristics

Parameter		Comments and conditions		G3VM-WF, G3VM-WF(TR)	G3VM-WFL, G3VM-WFL(TR)	G3VM-354F, G3VM-354F(TR)	
Input	LED forward voltage ( $V_F$ )	$I_F=10$ mA	Min.	1.0 V	1.0 V	1.0 V	
			Typical	1.15 V	1.15 V	1.15 V	
			Max.	1.3 V	1.3 V	1.3 V	
	Reverse current	$I_R$	Max.	10 $\mu$ A	10 $\mu$ A	10 $\mu$ A	
	Reverse voltage	$V_R$	Max.	5 V	6 V	5 V	
	Capacitance ( $C_T$ )	$V = 0$ ; freq. = 1 MHz		Typical	30 pF	30 pF	30 pF
Output	ON-resistance ( $R_{ON}$ )	$I_F=5$ mA	Typical	22 $\Omega$ ( $I_{ON}=120$ mA)	22 $\Omega$ ( $I_{ON}=120$ mA)	15 $\Omega$ ( $I_{ON}=300$ mA)	
			Max.	35 $\Omega$ ( $I_{ON}=120$ mA)	35 $\Omega$ ( $I_{ON}=120$ mA)	25 $\Omega$ ( $I_{ON}=300$ mA)	
	OFF-state leakage current ( $I_{LEAK}$ )	At $V_{OFF}$		Max.	1.0 $\mu$ A	1.0 $\mu$ A	1.0 $\mu$ A
	Limit current	$I_{LIM}$	Min.	—	150 mA	—	
Max.			—	300 mA	—		
Transfer characteristics	I/O capacitance	$(C_{I/O})$		Typical	0.8 pF	0.8 pF	0.8 pF
	I/O resistance	$(R_{I/O})$		Min.	1000 M $\Omega$	1000 M $\Omega$	1000 M $\Omega$
	Operate time	$(t_{ON})$		Max.	1.0 ms	1.0 ms	1.0 ms
	Release time	$(t_{OFF})$		Max.	1.0 ms	1.0 ms	3.0 ms

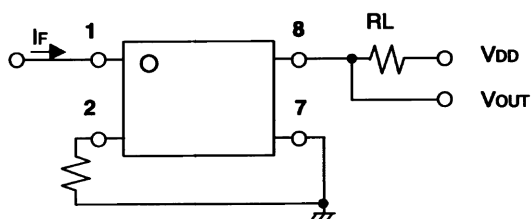
### Optimum Operating Conditions

Parameter		Comments and conditions		G3VM-WF, G3VM-WF(TR)	G3VM-WFL, G3VM-WFL(TR)	G3VM-354F, G3VM-354F(TR)
Output voltage strength		$V_{DD}$	Max.	280 V	280 V	280 V
Operate LED forward current	$I_F$	Min.		5 mA	5 mA	5 mA
		Typical		7.5 mA	7.5 mA	—
		Max.		25 mA	25 mA	25 mA
Continuous load current		$I_O$	Max.	100 mA	100 mA	150 mA
Ambient temperature		$T_A$		-20 $^\circ$ to 65 $^\circ\text{C}$	-20 $^\circ$ to 65 $^\circ\text{C}$	-20 $^\circ$ to 65 $^\circ\text{C}$

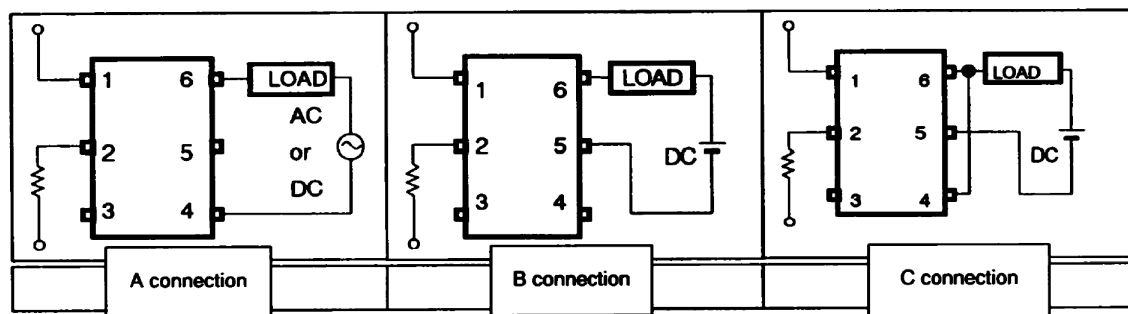
Dimensions

Item	G3VM-WF, G3VM-WF(TR)	G3VM-WFL, G3VM-WFL(TR)	G3VM-354F, G3VM-354F(TR)
Dimensions	See pages 95, 99	See pages 95, 99	See pages 95, 99

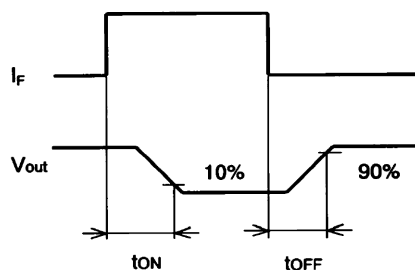
Connections



G3VM-WF, -WF(TR), -WFL, -WFL(TR), -354F, -354F(TR)



Timing Chart



## G3VM-21GR(TR), -21GR1(TR), -351G(TR)

### Maximum Rating

Parameter		Comments and conditions		G3VM-21GR, G3VM-21GR(TR)	G3VM-21GR1, G3VM-21GR1(TR)	G3VM-351G, G3VM-351G(TR)
Contact form/no. of terminals		—		1 Form A/4 pins	1 Form A/4 pins	1 Form A/4 pins
Input (LED)	LED forward current	$I_F$	Typical	50 mA	50 mA	50 mA
		$I_{FP}$ (100 $\mu$ s pulse, 100 pps)	Max.	1 A	1 A	1 A
	Forward current derating	$T_a \geq 25^\circ\text{C}$		-0.5 mA/ $^\circ\text{C}$	-0.5 mA/ $^\circ\text{C}$	-0.5 mA/ $^\circ\text{C}$
	Reverse voltage	$V_R$	Max.	5 V	5 V	5 V
Junction temperature ( $T_J$ )				125 $^\circ\text{C}$	125 $^\circ\text{C}$	125 $^\circ\text{C}$
Output (Detector)	Output voltage strength	$V_{OFF}$		20 V	20 V	350 V
	Continuous load current	$I_O$		160 mA	300 mA	110 mA
	ON-state current derating	$T_a \geq 25^\circ\text{C}$		-1.6 mA/ $^\circ\text{C}$	-3.0 mA/ $^\circ\text{C}$	-1.1 mA/ $^\circ\text{C}$
	Junction temperature ( $T_J$ )				125 $^\circ\text{C}$	125 $^\circ\text{C}$
Dielectric strength		$V_{IO}$ for 1 minute min.		1500 VAC	1500 VAC	1500 VAC
Temperature	Ambient	$T_a$ with no icing		-20 $^\circ$ to +85 $^\circ\text{C}$	-20 $^\circ$ to +85 $^\circ\text{C}$	-40 $^\circ$ to +85 $^\circ\text{C}$
	Storage	$T_{stg}$ with no icing		-55 $^\circ$ to +125 $^\circ\text{C}$	-55 $^\circ$ to +125 $^\circ\text{C}$	-55 $^\circ$ to +100 $^\circ\text{C}$

### Electrical Characteristics

Parameter		Comments and conditions		G3VM-21GR, G3VM-21GR(TR)	G3VM-21GR1, G3VM-21GR1(TR)	G3VM-351G, G3VM-351G(TR)
Input	LED forward voltage ( $V_F$ )	$I_F=10$ mA	Min.	1.0 V	1.0 V	1.0 V
			Typical	1.15 V	1.15 V	1.15 V
			Max.	1.3 V	1.3 V	1.3 V
	Reverse current	$I_R$	Max.	10 $\mu$ A	10 $\mu$ A	10 $\mu$ A
	Reverse voltage	$V_R$	Max.	5 V	5 V	5 V
	Capacitance ( $C_T$ )	$V = 0$ ; freq. = 1 MHz	Typical	15 pF	15 pF	30 pF
Keep ON LED current ( $I_{FT}$ )	At $I_O$	Typical	—	—	1 mA ( $I_O = 100$ mA)	
		Max.	4 mA ( $I_O = 100$ mA)	4 mA ( $I_O = 100$ mA)	3 mA ( $I_O = 100$ mA)	
Output	ON-resistance ( $R_{ON}$ )	At $I_{ON}$ $I_F=5$ mA	Typical	5 $\Omega$	1 $\Omega$ ( $I_{ON} = 300$ mA)	35 $\Omega$ (25 $\Omega$ , $t < 1$ s)
			Max.	8 $\Omega$	1.5 $\Omega$ ( $I_{ON} = 300$ mA)	50 $\Omega$ (35 $\Omega$ , $t < 1$ s)
	OFF-state leakage current ( $I_{LEAK}$ )	$V_{OFF} = 350$ V	Max.	1.0 $\mu$ A	1.0 $\mu$ A	1.0 $\mu$ A
	OFF capacitance	$C_{OFF}$	Min.	1.0 pF	5.0 pF	—
Max.			2.0 pF	12.0 pF	—	
Transfer characteristics	I/O capacitance	( $C_{IO}$ )	Typical	0.8 pF	0.8 pF	0.8 pF
	I/O resistance	( $R_{IO}$ )	Min.	1000 M $\Omega$	1000 M $\Omega$	1000 M $\Omega$
	Operate time	( $t_{ON}$ )	Max.	0.5 ms	0.5 ms	1.0 ms
	Release time	( $t_{OFF}$ )	Max.	0.5 ms	0.5 ms	1.0 ms



### Optimum Operating Conditions

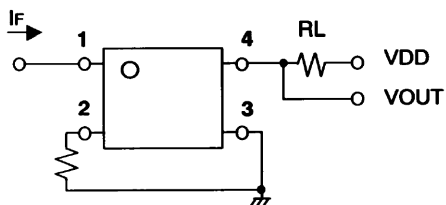
Parameter	Comments and conditions		G3VM-21GR, G3VM-21GR(TR)	G3VM-21GR1, G3VM-21GR1(TR)	G3VM-351G, G3VM-351G(TR)
Output voltage strength	$V_{DD}$	Max.	20 V	20 V	280 V
Operate LED forward current	$I_F$	Min.	7 mA	7 mA	5 mA
		Typical	—	—	7.5 mA
		Max.	30 mA	30 mA	25 mA
Continuous load current	$I_O$	Max.	160 mA	300 mA	100 mA
Ambient temperature	$T_A$		-25° to 60°C	-25° to 60°C	-20° to 65°C

### Dimensions

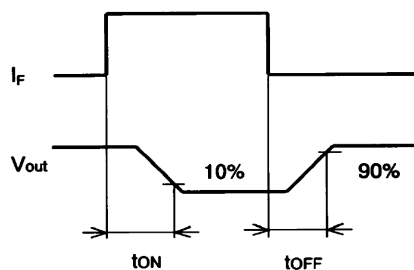
Item	G3VM-21GR, G3VM-21GR(TR)	G3VM-21GR1, G3VM-21GR1(TR)	G3VM-351G, G3VM-351G(TR)
Dimensions	See pages 96, 100	See pages 96, 100	See pages 96, 100

### Connections

G3VM-21GR, -21GR(TR), -21GR1, -21GR1(TR), -351G, -351G(TR)



### Timing Chart



## G3VM-353G(TR), -401G(TR), -41GR3(TR)

### Maximum Rating

Parameter		Comments and conditions		G3VM-353G, G3VM-353G(TR)	G3VM-401G, G3VM-401G(TR)	G3VM-41GR3, G3VM-41GR3(TR)
Contact form/no. of terminals		—		1 Form B/4 pins	1 Form A/4 pins	1 Form A/4 pins
Input (LED)	LED forward current	$I_F$	Typical	50 mA	50 mA	50 mA
		$I_{FP}$ (100 $\mu$ s pulse, 100 pps)	Max.	1 A	1 A	1 A
	Forward current derating	$T_a \geq 25^\circ\text{C}$		-0.5 mA/ $^\circ\text{C}$	-0.5 mA/ $^\circ\text{C}$	-0.5 mA/ $^\circ\text{C}$
	Reverse voltage	$V_R$	Max.	5 V	5 V	5 V
Junction temperature ( $T_J$ )				125 $^\circ\text{C}$	125 $^\circ\text{C}$	125 $^\circ\text{C}$
Output (Detector)	Output voltage strength	$V_{OFF}$		350 V	400 V	40 V
	Continuous load current	$I_O$		120 mA	120 mA	80 mA
	ON-state current derating	$T_a \geq 25^\circ\text{C}$		-1.2 mA/ $^\circ\text{C}$	-1.2 mA/ $^\circ\text{C}$	-0.8 mA/ $^\circ\text{C}$
	Junction temperature ( $T_J$ )				125 $^\circ\text{C}$	125 $^\circ\text{C}$
Dielectric strength		$V_{I/O}$ for 1 minute min.		1500 VAC	1500 VAC	1500 VAC
Temperature	Ambient	$T_a$ with no icing		-40 $^\circ$ to +85 $^\circ\text{C}$	-40 $^\circ$ to +85 $^\circ\text{C}$	-40 $^\circ$ to +85 $^\circ\text{C}$
	Storage	$T_{stg}$ with no icing		-55 $^\circ$ to +125 $^\circ\text{C}$	-55 $^\circ$ to +125 $^\circ\text{C}$	-55 $^\circ$ to +125 $^\circ\text{C}$

### Electrical Characteristics

Parameter		Comments and conditions		G3VM-353G, G3VM-353G(TR)	G3VM-401G, G3VM-401G(TR)	G3VM-41GR3, G3VM-41GR3(TR)
Input	LED forward voltage ( $V_F$ )	$I_F=10$ mA	Min.	1.0 V	1.0 V	1.0 V
			Typical	1.15 V	1.15 V	1.15 V
			Max.	1.3 V	1.3 V	1.3 V
	Reverse current	$I_R$	Max.	10 $\mu$ A	10 $\mu$ A	10 $\mu$ A
	Reverse voltage	$V_R$	Max.	5 V	5 V	5 V
	Capacitance ( $C_T$ )	$V = 0$ ; freq. = 1 MHz	Typical	30 pF	30 pF	15 pF
	Keep ON LED current ( $I_{FT}$ )	At $I_{ON}$	Typical	1 mA	1 mA	—
			Max.	3 mA	3 mA	4 mA
Output	ON-resistance ( $R_{ON}$ )	At $I_O$	Typical	15 $\Omega$ ( $I_{ON}=120$ mA)	17 $\Omega$ ( $I_{ON}=120$ mA)	25 $\Omega$ ( $I_{ON}=80$ mA)
			Max.	25 $\Omega$ ( $I_{ON}=120$ mA)	35 $\Omega$ ( $I_{ON}=120$ mA)	35 $\Omega$ ( $I_{ON}=80$ mA)
	OFF-state leakage current ( $I_{LEAK}$ )	At $V_{OFF}$	Max.	1.0 $\mu$ A	1.0 $\mu$ A	1.0 $\mu$ A
	Capacitance	$C_{OFF}$	Typical	—	—	—
Max.			—	—	—	
Transfer characteristics	I/O capacitance	( $C_{I/O}$ )	Typical	0.8 pF	0.8 pF	0.8 pF
	I/O resistance	( $R_{I/O}$ )	Min.	1000 M $\Omega$	1000 M $\Omega$	1000 M $\Omega$
	Operate time	( $t_{ON}$ )	Max.	1.0 ms	1.0 ms	0.5 ms
	Release time	( $t_{OFF}$ )	Max.	3.0 ms	1.0 ms	0.5 ms

### Optimum Operating Conditions

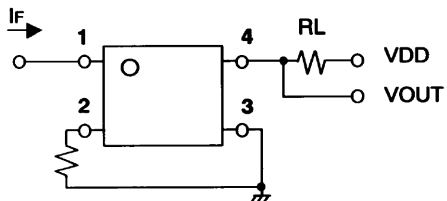
Parameter		Comments and conditions		G3VM-353G, G3VM-353G(TR)	G3VM-401G, G3VM-401G(TR)	G3VM-41GR3, G3VM-41GR3(TR)
Output voltage strength		$V_{DD}$	Max.	280 V	320 V	32 V
Operate LED forward current	$I_F$	Min.		5 mA	5 mA	10 mA
		Typical		—	7.5 mA	—
		Max.		25 mA	25 mA	30 mA
Continuous load current		$I_O$	Max.	120 mA	120 mA	80 mA
Ambient temperature		$T_A$		-20 $^\circ$ to 65 $^\circ\text{C}$	-20 $^\circ$ to 65 $^\circ\text{C}$	-25 $^\circ$ to 60 $^\circ\text{C}$

**Dimensions**

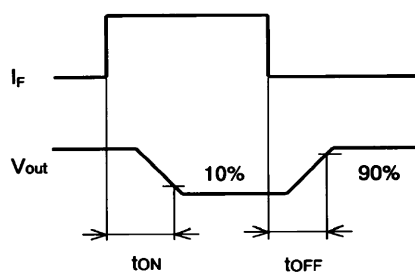
Item	G3VM-353G, G3VM-353G(TR)	G3VM-401G, G3VM-401G(TR)	G3VM-41GR3, G3VM-41GR3(TR)
Dimensions	See pages 96, 100	See pages 96, 100	See pages 96, 100

**Connections**

G3VM-353G, -353G(TR), -401D, -401D(TR), -41GR3, -41GR3(TR)



**Timing Chart**



## G3VM-41GR4(TR), -41GR5(TR), -41GR6(TR)

### Maximum Rating

Parameter		Comments and conditions		G3VM-41GR4, G3VM-41GR4(TR)	G3VM-41GR5, G3VM-41GR5(TR)	G3VM-41GR6, G3VM-41GR6(TR)
Contact form/no. of terminals		—		1 Form A/4 pins	1 Form A/4 pins	1 Form A/4 pins
Input (LED)	LED forward current	$I_F$	Typical	50 mA	50 mA	50 mA
		$I_{FP}$ (100 $\mu$ s pulse, 100 pps)	Max.	1 A	1 A	1 A
	Forward current derating	$T_a \geq 25^\circ\text{C}$		-0.5 mA/ $^\circ\text{C}$	-0.5 mA/ $^\circ\text{C}$	-0.5 mA/ $^\circ\text{C}$
	Reverse voltage	$V_R$	Max.	5 V	5 V	5 V
	Junction temperature ( $T_J$ )			125 $^\circ\text{C}$	125 $^\circ\text{C}$	125 $^\circ\text{C}$
Output (Detector)	Output voltage strength	$V_{OFF}$		40 V	40 V	40 V
	Continuous load current	$I_O$		250 mA	300 mA	120 mA
	ON-state current derating	$T_a \geq 25^\circ\text{C}$		-2.5 mA/ $^\circ\text{C}$	-3.0 mA/ $^\circ\text{C}$	-1.2 mA/ $^\circ\text{C}$
	Junction temperature ( $T_J$ )			125 $^\circ\text{C}$	125 $^\circ\text{C}$	125 $^\circ\text{C}$
Dielectric strength		$V_{I/O}$ for 1 minute min.		1500 VAC	1500 VAC	1500 VAC
Temperature	Ambient	$T_a$ with no icing		-20 $^\circ$ to +85 $^\circ\text{C}$	-20 $^\circ$ to +85 $^\circ\text{C}$	-20 $^\circ$ to +85 $^\circ\text{C}$
	Storage	$T_{stg}$ with no icing		-55 $^\circ$ to +125 $^\circ\text{C}$	-40 $^\circ$ to +125 $^\circ\text{C}$	-55 $^\circ$ to +125 $^\circ\text{C}$

### Electrical Characteristics

Parameter		Comments and conditions		G3VM-41GR4, G3VM-41GR4(TR)	G3VM-41GR5, G3VM-41GR5(TR)	G3VM-41GR6, G3VM-41GR6(TR)
Input	LED forward voltage ( $V_F$ )	$I_F=10$ mA	Min.	1.0 V	1.0 V	1.0 V
			Typical	1.15 V	1.15 V	1.15 V
			Max.	1.3 V	1.3 V	1.3 V
	Reverse current	$I_R$	Max.	10 $\mu$ A	10 $\mu$ A	10 $\mu$ A
	Reverse voltage	$V_R$	Max.	5 V	5 V	5 V
	Capacitance ( $C_T$ )	$V = 0$ ; freq. = 1 MHz	Typical	15 pF	15 pF	15 pF
	Keep ON LED current ( $I_{FT}$ )	At $I_{ON}$	Typical	—	—	—
Max.			4 mA ( $I_{ON}=100$ mA)	4 mA ( $I_{ON}=100$ mA)	4 mA ( $I_{ON}=100$ mA)	
Output	ON-resistance ( $R_{ON}$ )	$I_F=5$ mA	Typical	2 $\Omega$ ( $I_{ON}=250$ mA)	1.0 $\Omega$ ( $I_{ON}=120$ mA)	10 $\Omega$ ( $I_{ON}=120$ mA)
			Max.	3 $\Omega$ ( $I_{ON}=250$ mA)	1.5 $\Omega$ ( $I_{ON}=120$ mA)	15 $\Omega$ ( $I_{ON}=120$ mA)
	OFF-state leakage current ( $I_{LEAK}$ )	At $V_{OFF}$	Max.	1.0 $\mu$ A	1.0 $\mu$ A	1.0 $\mu$ A
	Capacitance	$C_{OFF}$	Typical	5.0 pF	10 pF	1.0 pF
			Max.	7.0 pF	14 pF	2.0 pF
Transfer characteristics	I/O capacitance	$(C_{I/O})$	Typical	0.8 pF	0.8 pF	0.8 pF
	I/O resistance	$(R_{I/O})$	Min.	1000 M $\Omega$	1000 M $\Omega$	1000 M $\Omega$
	Operate time	$(t_{ON})$	Max.	0.5 ms	0.5 ms	0.5 ms
	Release time	$(t_{OFF})$	Max.	0.5 ms	0.5 ms	0.5 ms

### Optimum Operating Conditions

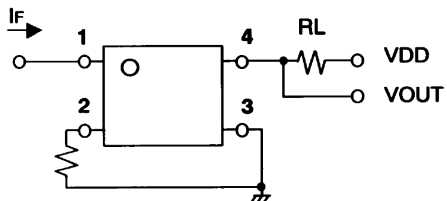
Parameter	Comments and conditions		G3VM-41GR4, G3VM-41GR4(TR)	G3VM-41GR5, G3VM-41GR5(TR)	G3VM-41GR6, G3VM-41GR6(TR)
Output voltage strength	$V_{DD}$	Max.	32 V	32 V	32 V
Operate LED forward current	$I_F$	Min.	10 mA	10 mA	10 mA
		Typical	—	—	—
		Max.	30 mA	30 mA	30 mA
Continuous load current	$I_O$	Max.	250 mA	300 mA	120 mA
Ambient temperature	$T_A$		-25 $^\circ$ to 60 $^\circ\text{C}$	-25 $^\circ$ to 60 $^\circ\text{C}$	-25 $^\circ$ to 60 $^\circ\text{C}$

**Dimensions**

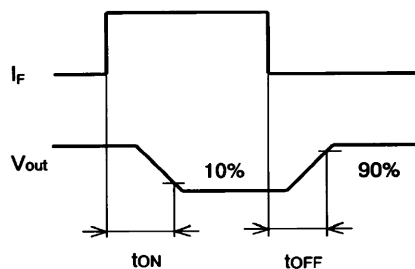
Item	G3VM-41GR4, G3VM-41GR4(TR)	G3VM-41GR5, G3VM-41GR5(TR)	G3VM-41GR6, G3VM-41GR6(TR)
Dimensions	See pages 96, 100	See pages 96, 100	See pages 96, 100

**Connections**

G3VM-41GR4, -41GR4(TR), -41GR5, -41GR5(TR), - 41GR6, -41GR6(TR)



**Timing Chart**



## G3VM-61G1(TR), -81G1(TR), -S1(TR)

### Maximum Rating

Parameter		Comments and conditions		G3VM-61G1, G3VM-61G1(TR)	G3VM-81G1, G3VM-81G1(TR)	G3VM-S1, G3VM-S1(TR)
Contact form/no. of terminals		—		1 Form A/4 pins	1 Form A/4 pins	1 Form A/4 pins
Input (LED)	LED forward current	$I_F$	Typical	50 mA	50 mA	50 mA
		$I_{FP}$ (100 $\mu$ s pulse, 100 pps)	Max.	1 A	1 A	1 A
	Forward current derating	$T_a \geq 25^\circ\text{C}$		-0.5 mA/ $^\circ\text{C}$	-0.5 mA/ $^\circ\text{C}$	-0.5 mA/ $^\circ\text{C}$
	Reverse voltage	$V_R$	Max.	5 V	5 V	5 V
	Junction temperature ( $T_J$ )			125 $^\circ\text{C}$	125 $^\circ\text{C}$	125 $^\circ\text{C}$
Output (Detector)	Output voltage strength	$V_{OFF}$		60 V	80 V	60 V
	Continuous load current	$I_O$		400 mA	350 mA	400 mA
	ON-state current derating	$T_a \geq 25^\circ\text{C}$		-4.0 mA/ $^\circ\text{C}$	-3.5 mA/ $^\circ\text{C}$	-4.0 mA/ $^\circ\text{C}$
	Junction temperature ( $T_J$ )			125 $^\circ\text{C}$	125 $^\circ\text{C}$	125 $^\circ\text{C}$
Dielectric strength		$V_{I/O}$ for 1 minute min.		1500 VAC	1500 VAC	1500 VAC
Temperature	Ambient	$T_a$ with no icing		-40 $^\circ$ to +85 $^\circ\text{C}$	-40 $^\circ$ to +85 $^\circ\text{C}$	-40 $^\circ$ to +85 $^\circ\text{C}$
	Storage	$T_{stg}$ with no icing		-55 $^\circ$ to +125 $^\circ\text{C}$	-55 $^\circ$ to +125 $^\circ\text{C}$	-55 $^\circ$ to +125 $^\circ\text{C}$

### Electrical Characteristics

Parameter		Comments and conditions		G3VM-61G1, G3VM-61G1(TR)	G3VM-81G1, G3VM-81G1(TR)	G3VM-S1, G3VM-S1(TR)
Input	LED forward voltage ( $V_F$ )	$I_F=10$ mA	Min.	1.0 V	1.0 V	1.0 V
			Typical	1.15 V	1.15 V	1.15 V
			Max.	1.3 V	1.3 V	1.3 V
	Reverse current	$I_R$	Max.	10 $\mu$ A	10 $\mu$ A	10 $\mu$ A
	Reverse voltage	$V_R$	Max.	5 V	5 V	5 V
	Capacitance ( $C_T$ )	$V = 0$ ; freq. = 1 MHz	Typical	30 pF	15 pF	30 pF
Keep ON LED current ( $I_{FT}$ )	At $I_O$	Typical	1.6 mA	1.0 mA	1 mA	
		Max.	3 mA	4.0 mA	3 mA	
Output	ON-resistance ( $R_{ON}$ )	$I_F=5$ mA	Typical	1 $\Omega$ ( $I_{ON}=400$ mA)	1.0 $\Omega$ ( $I_{ON}=350$ mA)	1 $\Omega$ ( $I_{ON}=400$ mA)
			Max.	2 $\Omega$ ( $I_{ON}=400$ mA)	1.2 $\Omega$ ( $I_{ON}=350$ mA)	2 $\Omega$ ( $I_{ON}=400$ mA)
	OFF-state leakage current ( $I_{LEAK}$ )	At $V_{OFF}$	Max.	1.0 $\mu$ A	1.0 $\mu$ A	1.0 $\mu$ A
	Limit current	$(I_{LIM})$	Min.	—	—	—
Max.			—	—	—	
Transfer characteristics	I/O capacitance	$(C_{I/O})$	Typical	0.8 pF	0.8 pF	0.8 pF
	I/O resistance	$(R_{I/O})$	Min.	1000 M $\Omega$	1000 M $\Omega$	1000 M $\Omega$
	Operate time	$(t_{ON})$	Max.	2.0 ms	0.5 ms	2.0 ms
	Release time	$(t_{OFF})$	Max.	0.5 ms	0.5 ms	1.0 ms

### Optimum Operating Conditions

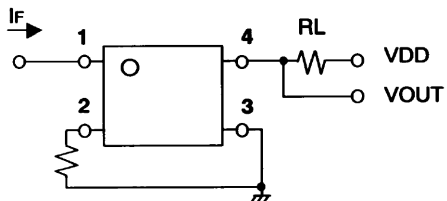
Parameter		Comments and conditions		G3VM-61G1, G3VM-61G1(TR)	G3VM-81G1, G3VM-81G1(TR)	G3VM-S1, G3VM-S1(TR)
Output voltage strength		$V_{DD}$	Max.	48 V	64 V	48 V
Operate LED forward current	$I_F$	Min.		5 mA	5 mA	5 mA
		Typical		7.5 mA	—	7.5 mA
		Max.		25 mA	30 mA	25 mA
Continuous load current		$I_O$	Max.	400 mA	350 mA	300 mA
Ambient temperature		$T_A$		-20 $^\circ$ to 65 $^\circ\text{C}$	-25 $^\circ$ to 60 $^\circ\text{C}$	-20 $^\circ$ to 65 $^\circ\text{C}$

**Dimensions**

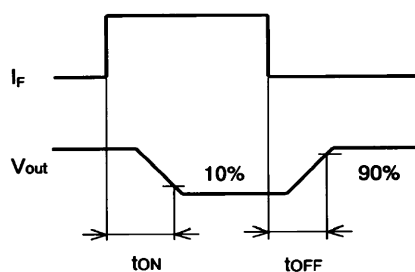
Item	G3VM-61G1, G3VM-61G1(TR)	G3VM-81G1, G3VM-81G1(TR)	G3VM-S1, G3VM-S1(TR)
Dimensions	See pages 96, 100	See pages 96, 100	See pages 96, 100

**Connections**

G3VM-61G1, -61G1(TR), -81G1, -81G1(TR), -S1, -S1(TR)



**Timing Chart**



## G3VM-S2(TR), -S5(TR), -351H(TR)

### Maximum Rating

Parameter		Comments and conditions		G3VM-S2, G3VM-S2(TR)	G3VM-S5, G3VM-S5(TR)	G3VM-351H, G3VM-351H(TR)
Contact form/no. of terminals		—		1 Form A/4 pins	1 Form A/4 pins	1 Form A/6 pins
Input (LED)	LED forward current	$I_F$	Typical	50 mA	50 mA	50 mA
		$I_{FP}$ (100 $\mu$ s pulse, 100 pps)	Max.	1 A	1 A	1 A
	Forward current derating	$T_a \geq 25^\circ\text{C}$		-0.5 mA/ $^\circ\text{C}$	-0.5 mA/ $^\circ\text{C}$	-0.5 mA/ $^\circ\text{C}$
	Reverse voltage	$V_R$	Max.	5 V	5 V	5 V
	Junction temperature ( $T_J$ )			125 $^\circ\text{C}$	125 $^\circ\text{C}$	125 $^\circ\text{C}$
Output (Detector)	Output voltage strength	$V_{OFF}$		350 V	200 V	350 V
	Continuous load current	$I_O$		120 mA	150 mA	110 mA (for A) 110 mA (for B) 220 mA (for C)
	ON-state current derating	$T_a \geq 25^\circ\text{C}$		-1.2 mA/ $^\circ\text{C}$	-1.5 mA/ $^\circ\text{C}$	-1.1 mA/ $^\circ\text{C}$ (for A)
	Junction temperature ( $T_J$ )			125 $^\circ\text{C}$	125 $^\circ\text{C}$	125 $^\circ\text{C}$
Dielectric strength		$V_{i/O}$ for 1 minute min.		1500 VAC	1500 VAC	1500 VAC
Temperature	Ambient	$T_a$ with no icing		-40 $^\circ$ to +85 $^\circ\text{C}$	-40 $^\circ$ to +85 $^\circ\text{C}$	-40 $^\circ$ to +85 $^\circ\text{C}$
	Storage	$T_{stg}$ with no icing		-55 $^\circ$ to +125 $^\circ\text{C}$	-55 $^\circ$ to +100 $^\circ\text{C}$	-55 $^\circ$ to +125 $^\circ\text{C}$

### Electrical Characteristics

Parameter		Comments and conditions		G3VM-S2, G3VM-S2(TR)	G3VM-S5, G3VM-S5(TR)	G3VM-351H, G3VM-351H(TR)
Input	LED forward voltage ( $V_F$ )	$I_F=10$ mA	Min.	1.0 V	1.0 V	1.0 V
			Typical	1.15 V	1.15 V	1.15 V
			Max.	1.3 V	1.3 V	1.3 V
	Reverse current	$I_R$		10 $\mu$ A	10 $\mu$ A	10 $\mu$ A
	Reverse voltage	$V_R$	Max.	5 V	5 V	5 V
	Capacitance (CT)	$V = 0$ ; freq. = 1 MHz		30 pF	30 pF	30 pF
Keep ON LED current ( $I_{FT}$ )	At $I_O$	Typical	1 mA	1 mA	1 mA	
		Max.	3 mA	3 mA	3 mA	
Output	ON-resistance ( $R_{ON}$ )	$I_F=5$ mA	Typical	22 $\Omega$ ( $I_{ON}=120$ mA)	5 $\Omega$ ( $I_{ON}=150$ mA)	35 $\Omega$ ( $I_{ON}=110$ mA) for connection A
			Max.	35 $\Omega$ ( $I_{ON}=120$ mA)	8 $\Omega$ ( $I_{ON}=150$ mA)	50 $\Omega$ ( $I_{ON}=110$ mA) for connection A
			Typical	—	—	28 $\Omega$ ( $I_{ON}=110$ mA) for connection B
			Max.	—	—	40 $\Omega$ ( $I_{ON}=110$ mA) for connection B
			Typical	—	—	14 $\Omega$ ( $I_{ON}=220$ mA) for connection C
			Max.	—	—	20 $\Omega$ ( $I_{ON}=220$ mA) for connection C
	OFF-state leakage current ( $I_{LEAK}$ )	At $V_{OFF}$	Max.	1.0 $\mu$ A	1.0 $\mu$ A	1.0 $\mu$ A
Transfer characteristics	I/O capacitance	( $C_{i/O}$ )	Typical	0.8 pF	0.8 pF	0.8 pF
	I/O resistance	( $R_{i/O}$ )	Min.	1000 M $\Omega$	1000 M $\Omega$	1000 M $\Omega$
	Operate time	( $t_{ON}$ )	Max.	1.0 ms	1.5 ms	1.0 ms
	Release time	( $t_{OFF}$ )	Max.	1.0 ms	1.0 ms	1.0 ms



### Optimum Operating Conditions

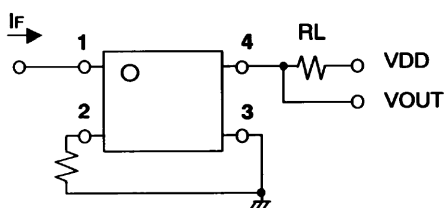
Parameter	Comments and conditions		G3VM-S2, G3VM-S2(TR)	G3VM-S5, G3VM-S5(TR)	G3VM-351H, G3VM-351H(TR)
Output voltage strength	$V_{DD}$	Max.	280 V	200 V	280 V
Operate LED forward current	$I_F$	Min.	5 mA	5 mA	5 mA
		Typical	7.5 mA	7.5 mA	10 mA
		Max.	25 mA	25 mA	25 mA
Continuous load current	$I_O$	Max.	100 mA	120 mA	100 mA
Ambient temperature	$T_A$		-20° to 65°C	-20° to 65°C	-20° to 65°C

### Dimensions

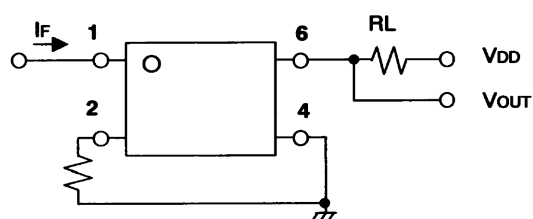
Item	G3VM-S2, G3VM-S2(TR)	G3VM-S5, G3VM-S5(TR)	G3VM-351H, G3VM-351H(TR)
Dimensions	See pages 96, 100	See pages 96, 100	See pages 96, 101

### Connections

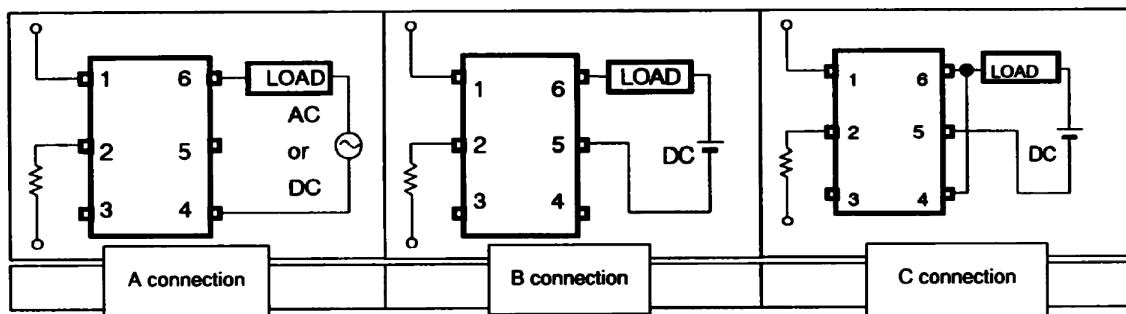
G3VM-S2, -S2(TR), -S5, -S5(TR)



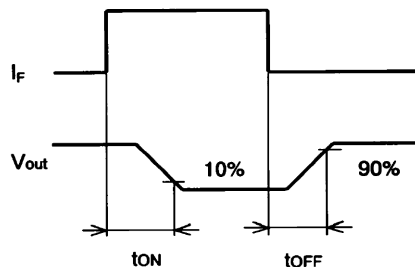
G3VM-351H, -351H(TR)



G3VM-351H, -351H(TR)



### Timing Chart



## G3VM-353H(TR), -61H1(TR), -81HR(TR)

### Maximum Rating

Parameter		Comments and conditions		G3VM-353H, G3VM-353H(TR)	G3VM-61H1, G3VM-61H1(TR)	G3VM-81HR, G3VM-81HR(TR)
Contact form/no. of terminals		—		1 Form B/6 pins	1 Form A/6 pins	1 Form A/6 pins
Input (LED)	LED forward current	$I_F$	Typical	50 mA	50 mA	50 mA
		$I_{FP}$ (100 $\mu$ s pulse, 100 pps)	Max.	1 A	1 A	1 A
	Forward current derating	$T_a \geq 25^\circ\text{C}$		-0.5 mA/ $^\circ\text{C}$	-0.5 mA/ $^\circ\text{C}$	-0.5 mA/ $^\circ\text{C}$
	Reverse voltage	$V_R$	Max.	5 V	5 V	5 V
	Junction temperature ( $T_J$ )			125 $^\circ\text{C}$	125 $^\circ\text{C}$	125 $^\circ\text{C}$
Output (Detector)	Output voltage strength	$V_{OFF}$		350 V	60 V	80 V
	Continuous load current	$I_O$		120 mA (for A) 120 mA (for B) 240 mA (for C)	400 mA (for A) 400 mA (for B) 800 mA (for C)	1250 mA
	ON-state current derating	$T_a \geq 25^\circ\text{C}$		-1.2 mA/ $^\circ\text{C}$	-4.0 mA/ $^\circ\text{C}$	-12.5 mA/ $^\circ\text{C}$
	Junction temperature ( $T_J$ )			125 $^\circ\text{C}$	125 $^\circ\text{C}$	125 $^\circ\text{C}$
Dielectric strength		$V_{IO}$ for 1 minute min.		1500 VAC	1500 VAC	1500 VAC
Temperature	Ambient	$T_a$ with no icing		-40 $^\circ$ to +85 $^\circ\text{C}$	-40 $^\circ$ to +85 $^\circ\text{C}$	-20 $^\circ$ to +85 $^\circ\text{C}$
	Storage	$T_{stg}$ with no icing		-55 $^\circ$ to +125 $^\circ\text{C}$	-55 $^\circ$ to +125 $^\circ\text{C}$	-40 $^\circ$ to +125 $^\circ\text{C}$

### Electrical Characteristics

Parameter		Comments and conditions		G3VM-353H, G3VM-353H(TR)	G3VM-61H1, G3VM-61H1(TR)	G3VM-81HR, G3VM-81HR(TR)
Input	LED forward voltage ( $V_F$ )	$I_F=10$ mA	Min.	1.0 V	1.0 V	1.0 V
			Typical	1.15 V	1.15 V	1.15 V
			Max.	1.3 V	1.3 V	1.3 V
	Reverse current	$I_R$	Max.	10 $\mu$ A	10 $\mu$ A	10 $\mu$ A
	Reverse voltage	$V_R$	Max.	5 V	5 V	5 V
	Capacitance ( $C_T$ )	$V = 0$ ; freq. = 1 MHz		Typical	30 pF	30 pF
Keep ON LED current ( $I_{FT}$ )	At $I_O$	Typical	1 mA	1.6 mA	2 mA	
		Max.	3 mA	3 mA	5 mA	
Output	ON-resistance ( $R_{ON}$ )	$I_F=5$ mA	Typical	15 $\Omega$ ( $I_{ON}=120$ mA) for connection A	1 $\Omega$ ( $I_{ON}=400$ mA) for connection A	0.11 $\Omega$ ( $I_{ON}=1250$ mA)
			Max.	25 $\Omega$ ( $I_{ON}=120$ mA) for connection A	2 $\Omega$ ( $I_{ON}=400$ mA) for connection A	0.15 $\Omega$ ( $I_{ON}=1250$ mA)
			Typical	8 $\Omega$ ( $I_{ON}=120$ mA) for connection B	0.5 $\Omega$ ( $I_{ON}=400$ mA) for connection B	—
			Max.	14 $\Omega$ ( $I_{ON}=120$ mA) for connection B	1 $\Omega$ ( $I_{ON}=400$ mA) for connection B	—
			Typical	4 $\Omega$ ( $I_{ON}=240$ mA) for connection C	0.25 $\Omega$ ( $I_{ON}=800$ mA) for connection C	—
			Max.	—	—	—
	OFF-state leakage current ( $I_{LEAK}$ )	At $V_{OFF}$	Max.	1.0 $\mu$ A	1.0 $\mu$ A	1.5 $\mu$ A
Transfer characteristics	I/O capacitance	( $C_{IO}$ )	Typical	0.8 pF	0.8 pF	0.8 pF
	I/O resistance	( $R_{IO}$ )	Min.	1000 M $\Omega$	1000 M $\Omega$	1000 M $\Omega$
	Operate time	( $t_{ON}$ )	Max.	1.0 ms	2.0 ms	3.0 ms
	Release time	( $t_{OFF}$ )	Max.	3.0 ms	0.5 ms	1.0 ms

### Optimum Operating Conditions

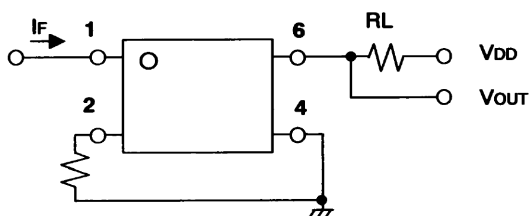
Parameter	Comments and conditions	G3VM-353H, G3VM-353H(TR)			G3VM-61H1, G3VM-61H1(TR)	G3VM-81HR, G3VM-81HR(TR)
		Max.	280 V	48V	64 V	
Output voltage strength	$V_{DD}$	Min.	5 mA	5 mA	5 mA	
		Typical	—	7.5 mA	—	
		Max.	25 mA	25 mA	30 mA	
Operate LED forward current	$I_F$	Max.	120 mA	400 mA	1250 mA	
Continuous load current	$I_O$	Max.	-20° to 65°C	-20° to 65°C	-25° to 60°C	
Ambient temperature	$T_A$					

### Dimensions

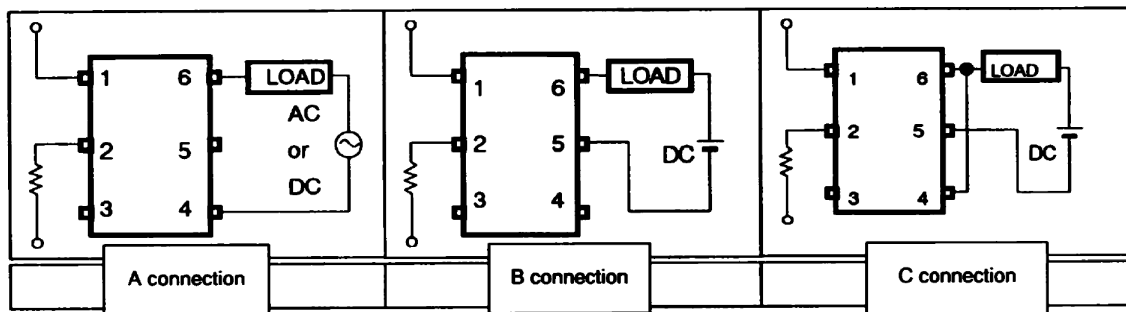
Item	G3VM-353H, G3VM-353H(TR)	G3VM-61H1, G3VM-61H1(TR)	G3VM-81HR, G3VM-81HR(TR)
Dimensions	See pages 96, 101	See pages 96, 101	See pages 96, 101

### Connections

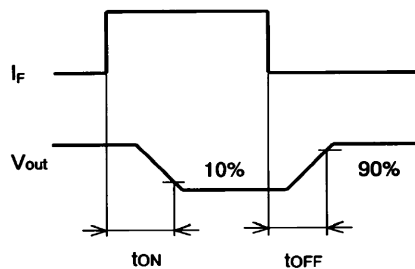
G3VM-353H, -353H(TR), -61H1, -61H1(TR), -81HR, -81HR(TR)



G3VM-353H, -353H(TR), -61H1, -61H1(TR), -81HR, -81HR(TR)



### Timing Chart



## G3VM-S3(TR), -355JR(TR), -352J(TR)

### Maximum Rating

Parameter		Comments and conditions		G3VM-S3, G3VM-S3(TR)	G3VM-355JR, G3VM-355JR(TR)	G3VM-352J, G3VM-352J(TR)
Contact form/no. of terminals		—		1 Form A/6 pins	1FormA+1FormB/ 8 pins	2 Form A/8 pins
Input (LED)	LED forward current	$I_F$	Typical	50 mA	50 mA	50 mA
		$I_{FP}$ (100 $\mu$ s pulse, 100 pps)	Max.	1 A	1 A	1 A
	Forward current derating	$T_a \geq 25^\circ\text{C}$		-0.5 mA/ $^\circ\text{C}$	-0.5 mA/ $^\circ\text{C}$	-0.5 mA/ $^\circ\text{C}$
	Reverse voltage	$V_R$	Max.	5 V	5 V	5 V
	Junction temperature ( $T_J$ )			125 $^\circ\text{C}$	125 $^\circ\text{C}$	125 $^\circ\text{C}$
Output (Detector)	Output voltage strength	$V_{OFF}$		350 V	350 V	350 V
	Continuous load current	$I_O$		120 mA (for A) 120 mA (for B) 160 mA (for C)	120 mA	110 mA
	ON-state current derating	$T_a \geq 25^\circ\text{C}$		-1.2 mA/ $^\circ\text{C}$	-1.2 mA/ $^\circ\text{C}$	-1.1 mA/ $^\circ\text{C}$
	Junction temperature ( $T_J$ )			125 $^\circ\text{C}$	125 $^\circ\text{C}$	125 $^\circ\text{C}$
Dielectric strength		$V_{IO}$ for 1 minute min.		1500 VAC	2500 VAC	1500 VAC
Temperature	Ambient	$T_a$ with no icing		-20 $^\circ$ to +85 $^\circ\text{C}$	-40 $^\circ$ to +85 $^\circ\text{C}$	-40 $^\circ$ to +85 $^\circ\text{C}$
	Storage	$T_{stg}$ with no icing		-55 $^\circ$ to +125 $^\circ\text{C}$	-55 $^\circ$ to +125 $^\circ\text{C}$	-55 $^\circ$ to +125 $^\circ\text{C}$

### Electrical Characteristics

Parameter		Comments and conditions		G3VM-S3, G3VM-S3(TR)	G3VM-355JR, G3VM-355JR(TR)	G3VM-352J, G3VM-352J(TR)
Input	LED forward voltage ( $V_F$ )	$I_F=10$ mA	Min.	1.0 V	1.0 V	1.0 V
			Typical	1.15 V	1.15 V	1.15 V
			Max.	1.3 V	1.3 V	1.3 V
	Reverse current	$I_R$	Max.	10 $\mu$ A	10 $\mu$ A	10 $\mu$ A
	Reverse voltage	$V_R$	Max.	5 V	5 V	5 V
	Capacitance ( $C_T$ )	$V = 0$ ; freq. = 1 MHz	Typical	30 pF	30 pF	30 pF
	Keep ON LED current ( $I_{FT}$ )	At $I_O$	Typical	—	1 mA	1 mA
			Max.	3 mA	3 mA	3 mA
Output	ON-resistance ( $R_{ON}$ )	$I_F=5$ mA	Typical	22 $\Omega$ ( $I_{ON}=120$ mA) for connection A	15 $\Omega$ ( $I_{ON}=120$ mA)	35 $\Omega$ (25 $\Omega$ , $t < 1$ s)
			Max.	35 $\Omega$ ( $I_{ON}=120$ mA) for connection A	25 $\Omega$ ( $I_{ON}=120$ mA)	50 $\Omega$ (35 $\Omega$ , $t < 1$ s)
			Typical	—	—	—
			Max.	25 $\Omega$ ( $I_{ON}=120$ mA) for connection B	—	—
			Typical	—	—	—
	Max.	15 $\Omega$ ( $I_{ON}=160$ mA) for connection C	—	—		
	OFF-state leakage current ( $I_{LEAK}$ )	At $V_{OFF}$	Max.	1.0 $\mu$ A	1.0 $\mu$ A	1.0 $\mu$ A
Transfer characteristics	I/O capacitance	$(C_{I/O})$	Typical	0.8 pF	0.8 pF	0.8 pF
	I/O resistance	$(R_{I/O})$	Min.	1000 M $\Omega$	1000 M $\Omega$	1000 M $\Omega$
	Operate time	$(t_{ON})$	Max.	1.0 ms	1.0 ms	1.0 ms
	Release time	$(t_{OFF})$	Max.	1.0 ms	1.0 ms	1.0 ms

### Optimum Operating Conditions

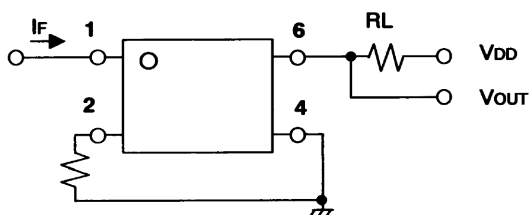
Parameter	Comments and conditions		G3VM-S3, G3VM-S3(TR)	G3VM-355JR, G3VM-355JR(TR)	G3VM-352J, G3VM-352J(TR)
Output voltage strength	$V_{DD}$	Max.	280 V	280V	280 V
Operate LED forward current	$I_F$	Min.	5 mA	5 mA	5 mA
		Typical	7.5 mA	—	10 mA
		Max.	25 mA	25 mA	25 mA
Continuous load current	$I_O$	Max.	100 mA	120 mA	100 mA
Ambient temperature	$T_A$		-20° to 65°C	-20° to 65°C	-20° to 65°C

### Dimensions

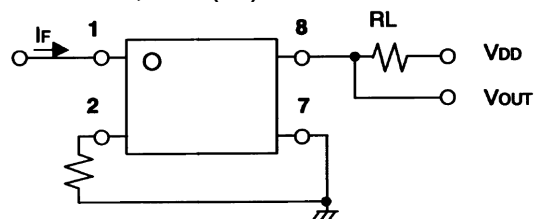
Item	G3VM-S3, G3VM-S3(TR)	G3VM-355JR, G3VM-355JR(TR)	G3VM-352J, G3VM-352J(TR)
Dimensions	See pages 96, 101	See pages 97, 102	See pages 97, 102

### Connections

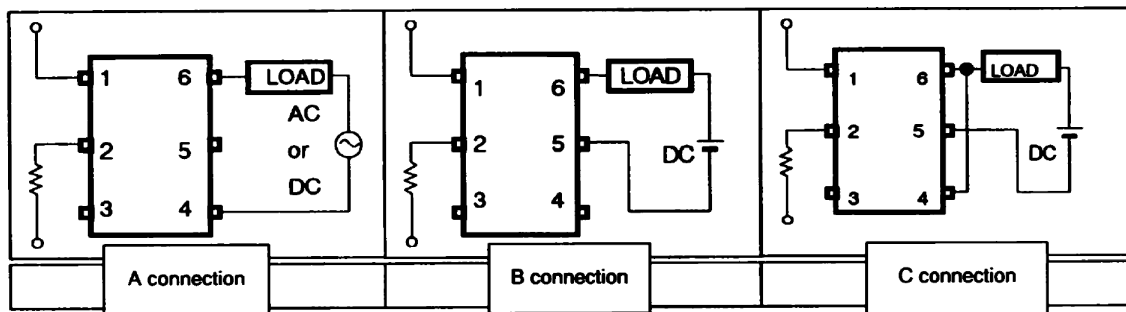
G3VM-S3, -S3(TR)



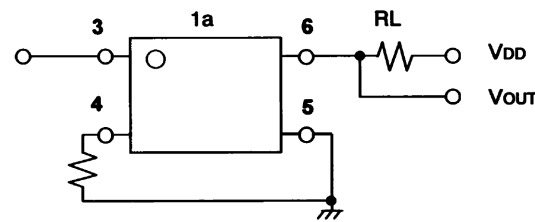
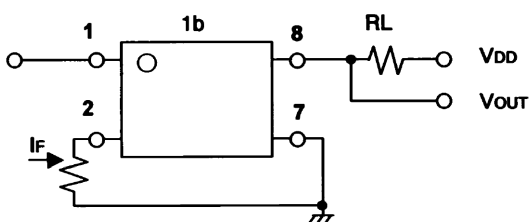
G3VM-352J, -352J(TR)



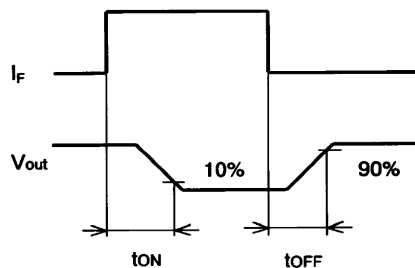
G3VM-S3, -S3(TR)



G3VM-355JR, -355JR(TR)



### Timing Chart



## G3VM-402J(TR), -62J1(TR), -SW(TR)

### Maximum Rating

Parameter		Comments and conditions		G3VM-402J, G3VM-402J(TR)	G3VM-62J1, G3VM-62J1(TR)	G3VM-SW, G3VM-SW(TR)
Contact form/no. of terminals		—		2 Form A/8 pins	2 Form A/8 pins	2 Form A/ 8 pins
Input (LED)	LED forward current	$I_F$	Typical	50 mA	50 mA	50 mA
		$I_{FP}$ (100 $\mu$ s pulse, 100 pps)	Max.	1 A	1 A	1 A
	Forward current derating	$T_a \geq 25^\circ\text{C}$		-0.5 mA/ $^\circ\text{C}$	-0.5 mA/ $^\circ\text{C}$	-0.5 mA/ $^\circ\text{C}$
	Reverse voltage	$V_R$	Max.	5 V	5 V	5 V
	Junction temperature ( $T_J$ )			125 $^\circ\text{C}$	125 $^\circ\text{C}$	125 $^\circ\text{C}$
Output (Detector)	Output voltage strength	$V_{OFF}$		400 V	60 V	350 V, DC or AC peak
	Continuous load current	$I_O$		120 mA	400 mA	100 mA (1+2 ch) 120 mA (1 ch)
	ON-state current derating	$T_a \geq 25^\circ\text{C}$		-1.2 mA/ $^\circ\text{C}$	-4.0 mA/ $^\circ\text{C}$	-1.2 mA/ $^\circ\text{C}$ (1 ch)
	Junction temperature ( $T_J$ )			125 $^\circ\text{C}$	125 $^\circ\text{C}$	125 $^\circ\text{C}$
Dielectric strength		$V_{I/O}$ for 1 minute min.		1500 VAC	1500 VAC	1500 VAC
Temperature	Ambient	$T_a$ with no icing		-40 $^\circ$ to +85 $^\circ\text{C}$	-40 $^\circ$ to +85 $^\circ\text{C}$	-40 $^\circ$ to +85 $^\circ\text{C}$
	Storage	$T_{stg}$ with no icing		-55 $^\circ$ to +125 $^\circ\text{C}$	-55 $^\circ$ to +125 $^\circ\text{C}$	-55 $^\circ$ to +125 $^\circ\text{C}$

### Electrical Characteristics

Parameter		Comments and conditions		G3VM-402J, G3VM-402J(TR)	G3VM-62J1, G3VM-62J1(TR)	G3VM-SW, G3VM-SW(TR)
Input	LED forward voltage ( $V_F$ )	$I_F=10$ mA	Min.	1.0 V	1.0 V	1.0 V
			Typical	1.15 V	1.15 V	1.15 V
			Max.	1.3 V	1.3 V	1.3 V
	Reverse current	$I_R$	Max.	10 $\mu$ A	10 $\mu$ A	10 $\mu$ A
	Reverse voltage	$V_R$	Max.	5 V	5 V	5 V
	Capacitance ( $C_T$ )	$V = 0$ ; freq. = 1 MHz	Typical	30 pF	30 pF	30 pF
	Keep ON LED current ( $I_{FT}$ )	At $I_O$	Typical	1 mA	1.6 mA	—
Max.			3 mA	3 mA	3 mA	
Output	ON-resistance ( $R_{ON}$ )	$I_F=5$ mA (1a)	Typical	17 $\Omega$ ( $I_{ON}=120$ mA)	1.0 $\Omega$ ( $I_{ON}=400$ mA)	22 $\Omega$ ( $I_{ON}=120$ mA)
			Max.	35 $\Omega$ ( $I_{ON}=120$ mA)	2.0 $\Omega$ ( $I_{ON}=400$ mA)	35 $\Omega$ ( $I_{ON}=120$ mA)
		$I_F=0$ mA (1b)	Typical	—	—	—
			Max.	—	—	—
	OFF-state leakage current ( $I_{LEAK}$ )	At $V_{OFF}$	Max.	1.0 $\mu$ A	1.0 $\mu$ A	1.0 $\mu$ A
	Capacitance	$C_{OFF}$	Typical	—	—	—
Max.			—	—	—	
Transfer characteristics	I/O capacitance	( $C_{I/O}$ )	Typical	0.8 pF	0.8 pF	0.8 pF
	I/O resistance	( $R_{I/O}$ )	Min.	1000 M $\Omega$	1000 M $\Omega$	1000 M $\Omega$
	Operate time	( $t_{ON}$ )	Max.	1.0 ms	2.0 ms	1.0 ms
	Release time	( $t_{OFF}$ )	Max.	1.0 ms	0.5 ms	1.0 ms

### Optimum Operating Conditions

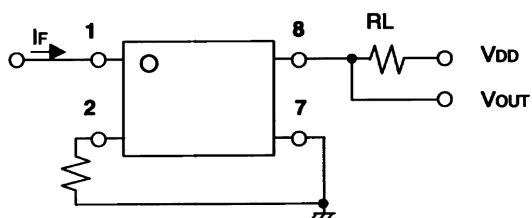
Parameter	Comments and conditions		G3VM-402J, G3VM-402J(TR)	G3VM-62J1, G3VM-62J1(TR)	G3VM-SW, G3VM-SW(TR)
Output voltage strength	$V_{DD}$	Max.	320 V	48 V	280 V
Operate LED forward current	$I_F$	Min.	5 mA	5 mA	5 mA
		Typical	7.5 mA	7.5 mA	7.5 mA
		Max.	25 mA	25 mA	25 mA
Continuous load current	$I_O$	Max.	120 mA	400 mA	100 mA
Ambient temperature	$T_A$		-20° to 65°C	-20° to 65°C	-20° to 65°C

### Dimensions

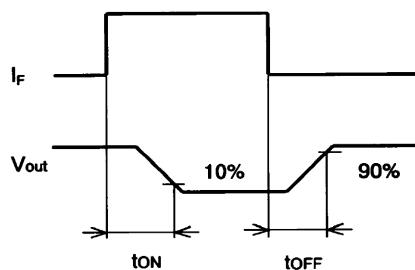
Item	G3VM-402J, G3VM-402J(TR)	G3VM-62J1, G3VM-62J1(TR)	G3VM-SW, G3VM-SW(TR)
Dimensions	See pages 97, 102	See pages 97, 102	See pages 97, 102

### Connections

G3VM-402J, -402J(TR), -62J1, -62J1(TR), -SW, -SW(TR)



### Timing Chart



## G3VM-SY(TR), -354J(TR)

### Maximum Rating

Parameter		Comments and conditions		G3VM-SY, G3VM-SY(TR)	G3VM-354J, G3VM-354J(TR)
Contact form/no. of terminals		—		2 Form A/8 pins	2 Form B/8 pins
Input (LED)	LED forward current	$I_F$	Typical	50 mA	50 mA
		$I_{FP}$ (100 $\mu$ s pulse, 100 pps)	Max.	1 A	1 A
	Forward current derating	$T_a \geq 25^\circ\text{C}$		-0.5 mA/ $^\circ\text{C}$	-0.5 mA/ $^\circ\text{C}$
	Reverse voltage	$V_R$	Max.	5 V	5 V
	Junction temperature ( $T_J$ )			125 $^\circ\text{C}$	125 $^\circ\text{C}$
Output (Detector)	Output voltage strength	$V_{OFF}$		60 V	350 V
	Continuous load current	$I_O$		200 mA (1+2 ch) 300 mA (1 ch)	120 mA
	ON-state current derating	$T_a \geq 25^\circ\text{C}$		-3.0 mA/ $^\circ\text{C}$ (1 ch)	-1.2 mA/ $^\circ\text{C}$
	Junction temperature ( $T_J$ )			125 $^\circ\text{C}$	125 $^\circ\text{C}$
Dielectric strength		$V_{I/O}$ for 1 minute min.		1500 VAC	1500 VAC
Temperature	Ambient	$T_a$ with no icing		-20 $^\circ$ to +85 $^\circ\text{C}$	-40 $^\circ$ to +85 $^\circ\text{C}$
	Storage	$T_{stg}$ with no icing		-55 $^\circ$ to +125 $^\circ\text{C}$	-55 $^\circ$ to +125 $^\circ\text{C}$

### Electrical Characteristics

Parameter		Comments and conditions		G3VM-SY, G3VM-SY(TR)	G3VM-354J, G3VM-354J(TR)
Input	LED forward voltage ( $V_F$ )	$I_F=10$ mA	Min.	1.0 V	1.0 V
			Typical	1.15 V	1.15 V
			Max.	1.3 V	1.3 V
	Reverse current	$I_R$	Max.	10 $\mu$ A	10 $\mu$ A
	Reverse voltage	$V_R$	Max.	5 V	5 V
	Capacitance ( $C_T$ )	$V = 0$ ; freq. = 1 MHz	Typical	30 pF	30 pF
	Keep ON LED current ( $I_{FT}$ )	At $I_O$	Typical	—	1 mA
Max.			3 mA	3 mA	
Output	ON-resistance ( $R_{ON}$ )	$I_F=5$ mA	Typical	1.4 $\Omega$ ( $I_{ON}=300$ mA)	15 $\Omega$ ( $I_{ON}=120$ mA)
			Max.	2.0 $\Omega$ ( $I_{ON}=300$ mA)	25 $\Omega$ ( $I_{ON}=120$ mA)
	OFF-state leakage current ( $I_{LEAK}$ )	At $V_{OFF}$	Max.	1.0 $\mu$ A	1.0 $\mu$ A
	Capacitance	$C_{OFF}$	Typical	—	—
Max.			—	—	
Transfer characteristics	I/O capacitance	( $C_{I/O}$ )	Typical	0.8 pF	0.8 pF
	I/O resistance	( $R_{I/O}$ )	Min.	1000 M $\Omega$	1000 M $\Omega$
	Operate time	( $t_{ON}$ )	Max.	2.0 ms	1.0 ms
	Release time	( $t_{OFF}$ )	Max.	1.0 ms	3.0 ms

### Optimum Operating Conditions

Parameter		Comments and conditions		G3VM-SY, G3VM-SY(TR)	G3VM-354J, G3VM-354J(TR)
Output voltage strength		$V_{DD}$	Max.	48 V	280 V
Operate LED forward current	$I_F$	Min.	5 mA	5 mA	
		Typical	10 mA	—	
		Max.	25 mA	25 mA	
Continuous load current		$I_O$	Max.	200 mA	120 mA
Ambient temperature		$T_A$		-20 $^\circ$ to 65 $^\circ\text{C}$	-20 $^\circ$ to 65 $^\circ\text{C}$

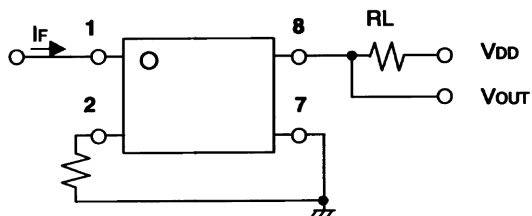


**Dimensions**

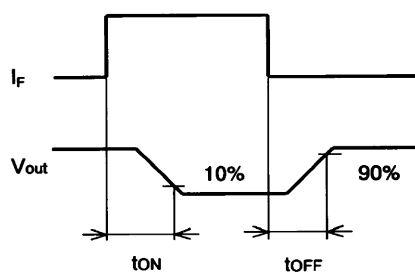
Item	G3VM-SY, G3VM-SY(TR)	G3VM-354J, G3VM-354J(TR)
Dimensions	See pages 97, 102	See pages 97, 102

**Connections**

G3VM-SY, -SY(TR), -354J, -354J(TR)



**Timing Chart**



## G3VM-21LR, -21LR1, -41LR3

### Maximum Rating

Parameter		Comments and conditions		G3VM-21LR	G3VM-21LR1	G3VM-41LR3
Contact form/no. of terminals		—		1 Form A/4 pins	1 Form A/4 pins	1 Form A/4 pins
Input (LED)	LED forward current	$I_F$	Typical	50 mA	50 mA	50 mA
		$I_{FP}$ (100 $\mu$ s pulse, 100 pps)	Max.	1 A	1 A	1 A
	Forward current derating	$T_a \geq 25^\circ\text{C}$		-0.5 mA/ $^\circ\text{C}$	-0.5 mA/ $^\circ\text{C}$	-0.5 mA/ $^\circ\text{C}$
	Reverse voltage	$V_R$	Max.	5 V	5 V	5 V
	Junction temperature ( $T_j$ )			125 $^\circ\text{C}$	125 $^\circ\text{C}$	125 $^\circ\text{C}$
Output (Detector)	Output voltage strength	$V_{OFF}$		20 V	20 V	40 V
	Continuous load current	$I_O$		160 mA	450 mA	80 mA
	ON-state current derating	$T_a \geq 25^\circ\text{C}$		-1.6 mA/ $^\circ\text{C}$	-4.5 mA/ $^\circ\text{C}$	-0.8 mA/ $^\circ\text{C}$
	Junction temperature ( $T_j$ )			125 $^\circ\text{C}$	125 $^\circ\text{C}$	125 $^\circ\text{C}$
Dielectric strength		$V_{IO}$ for 1 minute min.		1500 VAC	1500 VAC	1500 VAC
Temperature	Ambient	$T_a$ with no icing		-20 $^\circ$ to +85 $^\circ\text{C}$	-20 $^\circ$ to +85 $^\circ\text{C}$	-20 $^\circ$ to +85 $^\circ\text{C}$
	Storage	$T_{stg}$ with no icing		-40 $^\circ$ to +125 $^\circ\text{C}$	-40 $^\circ$ to +125 $^\circ\text{C}$	-40 $^\circ$ to +100 $^\circ\text{C}$

### Electrical Characteristics

Parameter		Comments and conditions		G3VM-21LR	G3VM-21LR1	G3VM-41LR3
Input	LED forward voltage ( $V_F$ )	$I_F=10$ mA	Min.	1.0 V	1.0 V	1.0 V
			Typical	1.15 V	1.15 V	1.15 V
			Max.	1.3 V	1.3 V	1.3 V
	Reverse current	$I_R$	Max.	10 $\mu$ A	10 $\mu$ A	10 $\mu$ A
	Reverse voltage	$V_R$	Max.	5 V	5 V	5 V
	Capacitance ( $C_T$ )	$V = 0$ ; freq. = 1 MHz	Typical	15 pF	15 pF	15 pF
Keep ON LED current ( $I_{FT}$ )	At $I_O$	Typical	—	—	—	
		Max.	4 mA ( $I_O = 100$ mA)	4 mA ( $I_O = 100$ mA)	4 mA ( $I_O = 80$ mA)	
Output	ON-resistance ( $R_{ON}$ )	At $I_{ON}$ $I_F=5$ mA	Typical	5 $\Omega$ ( $I_O = 160$ mA)	0.8 $\Omega$ ( $I_{ON} = 450$ mA)	25 $\Omega$
			Max.	8 $\Omega$ ( $I_O = 160$ mA)	1.2 $\Omega$ ( $I_{ON} = 450$ mA)	35 $\Omega$
	OFF-state leakage current ( $I_{LEAK}$ )	$V_{OFF} = 350$ V	Max.	1.0 nA	1.0 nA	1.0 nA
	OFF capacitance	$C_{OFF}$	Min.	1.0 pF	5.0 pF	0.6 pF
Max.			2.5 pF	12.0 pF	1.4 pF	
Transfer characteristics	I/O capacitance	( $C_{IO}$ )	Typical	0.8 pF	0.8 pF	0.8 pF
	I/O resistance	( $R_{IO}$ )	Min.	1000 M $\Omega$	1000 M $\Omega$	1000 M $\Omega$
	Operate time	( $t_{ON}$ )	Max.	0.5 ms	0.5 ms	1.0 ms
	Release time	( $t_{OFF}$ )	Max.	0.5 ms	0.5 ms	1.0 ms

### Optimum Operating Conditions

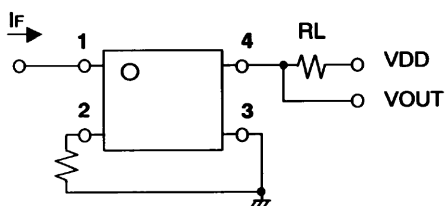
Parameter	Comments and conditions		G3VM-21LR	G3VM-21LR1	G3VM-41LR3
Output voltage strength	$V_{DD}$	Max.	32 V	20 V	32 V
Operate LED forward current	$I_F$	Min.	7 mA	10 mA	10 mA
		Typical	—	—	—
		Max.	30 mA	30 mA	30 mA
Continuous load current	$I_O$	Max.	160 mA	450 mA	80 mA
Ambient temperature	$T_A$		-25° to 60°C	-25° to 60°C	-25° to 60°C

### Dimensions

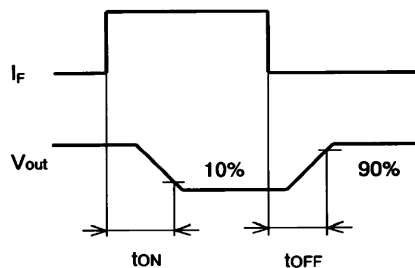
Item	G3VM-21LR	G3VM-21LR1	G3VM-41LR3
Dimensions	See page 97	See page 97	See page 97

### Connections

G3VM-21LR, -21LR1, -41LR3



### Timing Chart



## G3VM-41LR4, -41LR5, -41LR6

### Maximum Rating

Parameter		Comments and conditions	G3VM-41LR4	G3VM-41LR5	G3VM-41LR6
Contact form/no. of terminals		—	1 Form A/4 pins	1 Form A/4 pins	1 Form A/4 pins
Input (LED)	LED forward current	$I_F$ Typical	50 mA	50 mA	50 mA
		$I_{FP}$ (100 $\mu$ s pulse, 100 pps) Max.	1 A	1 A	1 A
	Forward current derating	$T_a \geq 25^\circ\text{C}$	-0.5 mA/ $^\circ\text{C}$	-0.5 mA/ $^\circ\text{C}$	-0.5 mA/ $^\circ\text{C}$
	Reverse voltage	$V_R$ Max.	5 V	5 V	5 V
	Junction temperature ( $T_J$ )		125 $^\circ\text{C}$	125 $^\circ\text{C}$	125 $^\circ\text{C}$
Output (Detector)	Output voltage strength	$V_{OFF}$	40 V	40 V	40 V
	Continuous load current	$I_O$	250 mA	300 mA	120 mA
	ON-state current derating	$T_a \geq 25^\circ\text{C}$	-2.5 mA/ $^\circ\text{C}$	-3.0 mA/ $^\circ\text{C}$	-1.2 mA/ $^\circ\text{C}$
	Junction temperature ( $T_J$ )		125 $^\circ\text{C}$	125 $^\circ\text{C}$	125 $^\circ\text{C}$
Dielectric strength		$V_{I/O}$ for 1 minute min.	1500 VAC	1500 VAC	1500 VAC
Temperature	Ambient	$T_a$ with no icing	-20 $^\circ$ to +85 $^\circ\text{C}$	-20 $^\circ$ to +85 $^\circ\text{C}$	-20 $^\circ$ to +85 $^\circ\text{C}$
	Storage	$T_{stg}$ with no icing	-40 $^\circ$ to +125 $^\circ\text{C}$	-40 $^\circ$ to +125 $^\circ\text{C}$	-40 $^\circ$ to +125 $^\circ\text{C}$

### Electrical Characteristics

Parameter		Comments and conditions	G3VM-41LR4	G3VM-41LR5	G3VM-41LR6
Input	LED forward voltage ( $V_F$ )	$I_F=10$ mA Min.	1.0 V	1.0 V	1.0 V
		Typical	1.15 V	1.15 V	1.15 V
		Max.	1.3 V	1.3 V	1.3 V
	Reverse current	$I_R$ Max.	10 $\mu$ A	10 $\mu$ A	10 $\mu$ A
	Reverse voltage	$V_R$ Max.	5 V	5 V	5 V
	Capacitance ( $C_T$ )	$V = 0$ ; freq. = 1 MHz	Typical	15 pF	15 pF
Keep ON LED current ( $I_{FT}$ )	At $I_{ON}$	Typical	—	—	—
		Max.	4 mA ( $I_{ON}=100$ mA)	4 mA ( $I_{ON}=100$ mA)	4 mA ( $I_{ON}=100$ mA)
Output	ON-resistance ( $R_{ON}$ )	At $I_O$ Typical	2 $\Omega$ ( $I_{ON}=250$ mA)	1.0 $\Omega$ ( $I_{ON}=300$ mA)	10 $\Omega$ ( $I_{ON}=120$ mA)
		Max.	3 $\Omega$ ( $I_{ON}=250$ mA)	1.5 $\Omega$ ( $I_{ON}=300$ mA)	15 $\Omega$ ( $I_{ON}=120$ mA)
	OFF-state leakage current ( $I_{LEAK}$ )	At $V_{OFF}$ Max.	1.0 nA	1.0 nA	1.0 nA
	Limit current ( $I_{LIM}$ )	$I_F = 5$ mA, $V_{DD} = 5$ V, $t = 5$ ms	Min.	5 pF	10 pF
Max.			7 pF	14 pF	2.0 pF
Transfer characteristics	I/O capacitance	( $C_{I/O}$ ) Typical	0.8 pF	0.8 pF	0.8 pF
	I/O resistance	( $R_{I/O}$ ) Min.	1000 M $\Omega$	1000 M $\Omega$	1000 M $\Omega$
	Operate time	( $t_{ON}$ ) Max.	0.5 ms	0.5 ms	0.5 ms
	Release time	( $t_{OFF}$ ) Max.	0.5 ms	0.5 ms	0.5 ms

### Optimum Operating Conditions

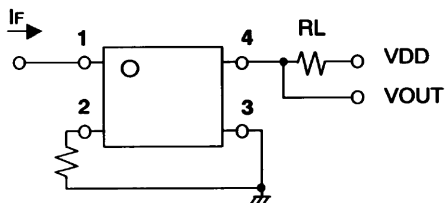
Parameter	Comments and conditions	G3VM-41LR4	G3VM-41LR5	G3VM-41LR6	
Output voltage strength	$V_{DD}$ Max.	32 V	32 V	32 V	
Operate LED forward current	$I_F$	Min.	10 mA	10 mA	10 mA
		Typical	—	—	—
		Max.	30 mA	30 mA	30 mA
Continuous load current	$I_O$ Max.	250 mA	300 mA	120 mA	
Ambient temperature	$T_A$	-25 $^\circ$ to 60 $^\circ\text{C}$	-25 $^\circ$ to 60 $^\circ\text{C}$	-25 $^\circ$ to 60 $^\circ\text{C}$	

**Dimensions**

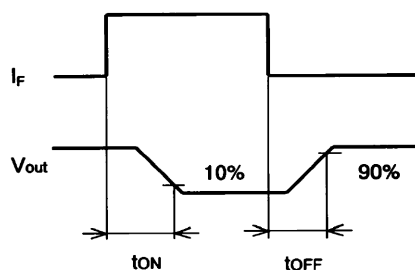
Item	G3VM-41LR4	G3VM-41LR5	G3VM-41LR6
Dimensions	See page 97	See page 97	See page 97

**Connections**

G3VM-41LR, -41L5, -41LR6



**Timing Chart**

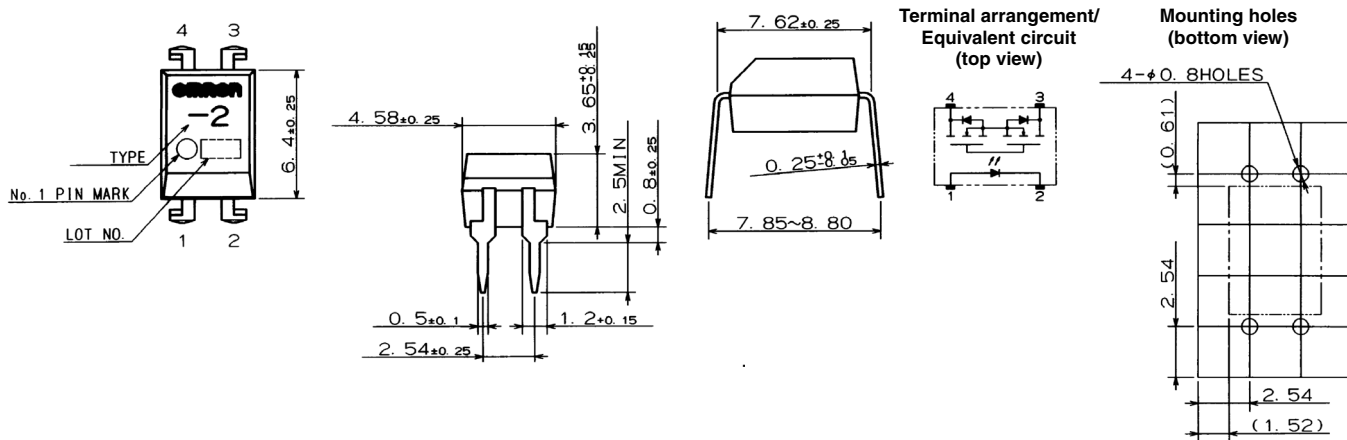


# Dimensions

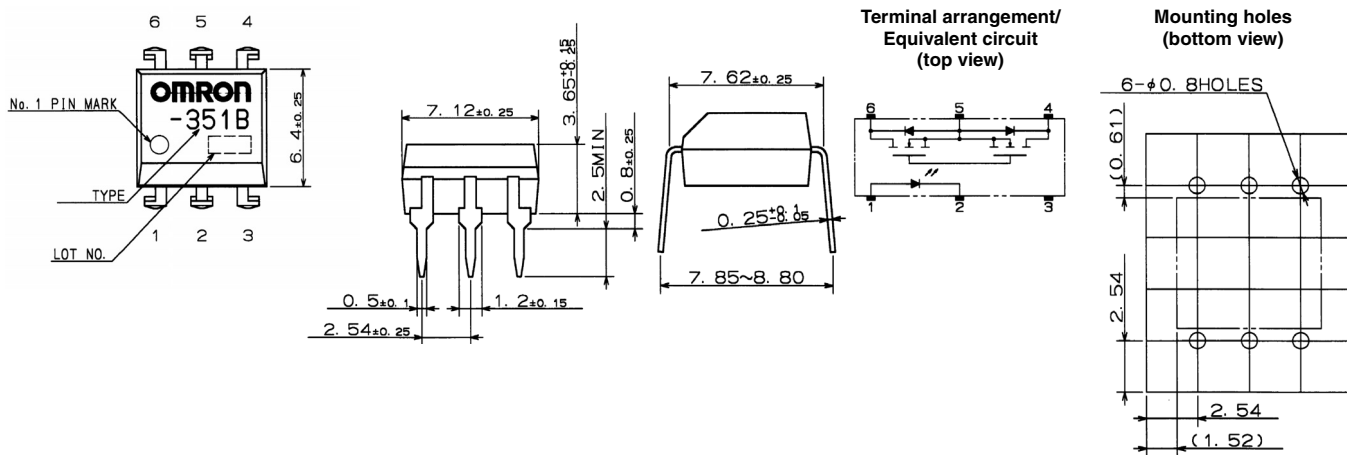
Unit: mm

## ■ PCB Through-Hole Models

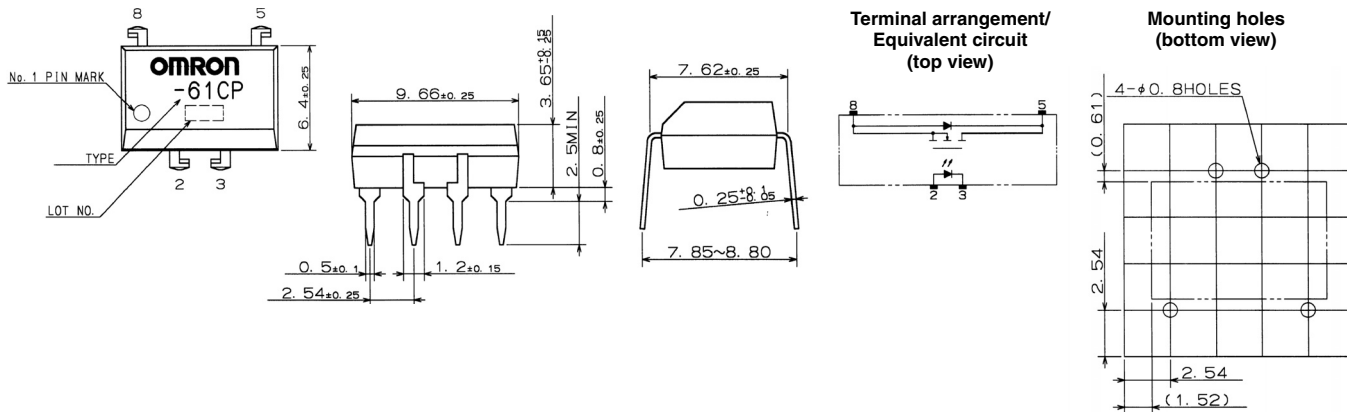
G3VM-2, G3VM-2L, G3VM-351A, G3VM-353A, G3VM-401A, G3VM-61A, G3VM-61A1



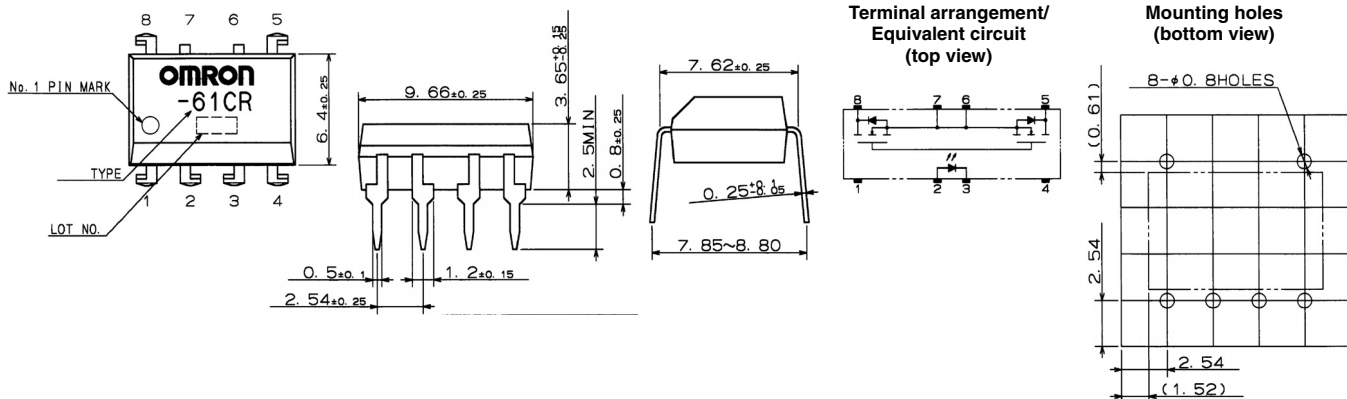
G3VM-351B, G3VM-353B, G3VM-3, G3VM-3L, G3VM-401B, G3VM-401BY, G3VM-601BY, G3VM-61B, G3VM-61B1, G3VM-V



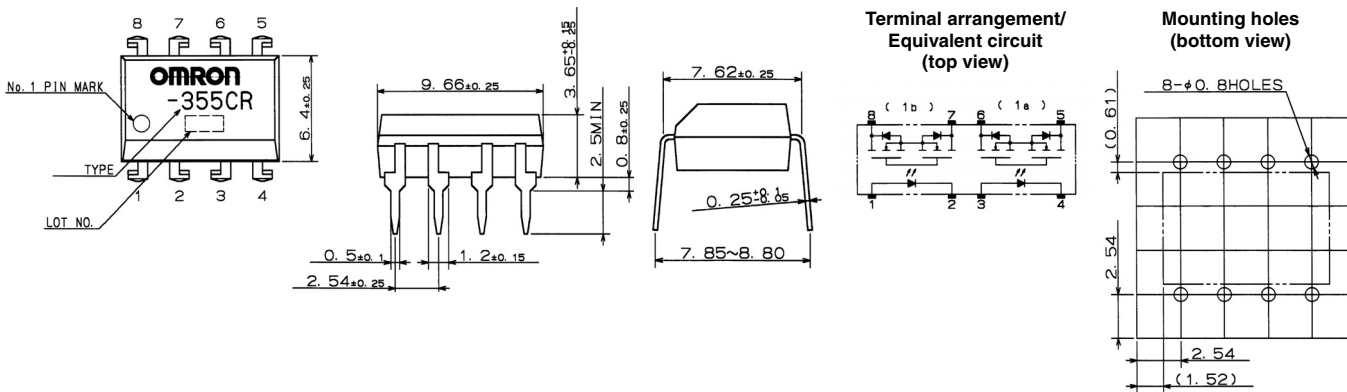
**G3VM-61CP**



**G3VM-61CR**



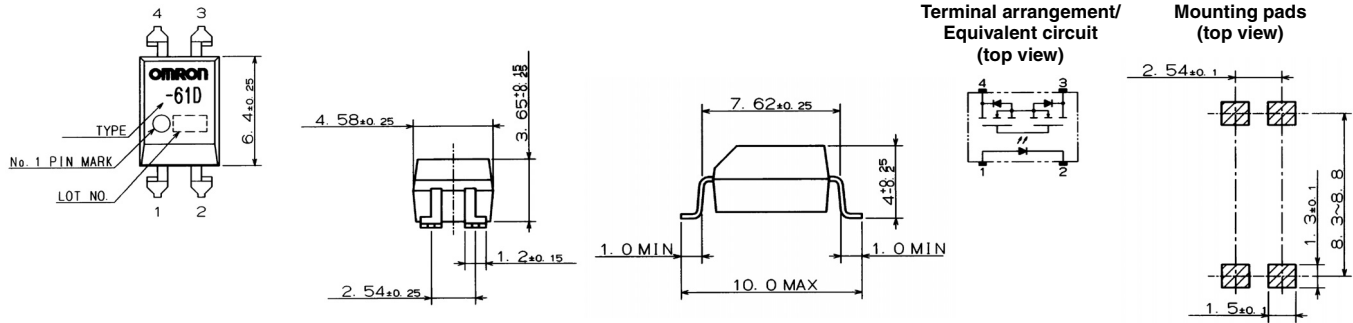
**G3VM-355CR, G3VM-352C, G3VM-402C, G3VM-62C1, G3VM-W, G3VM-WL, G3VM-354C**



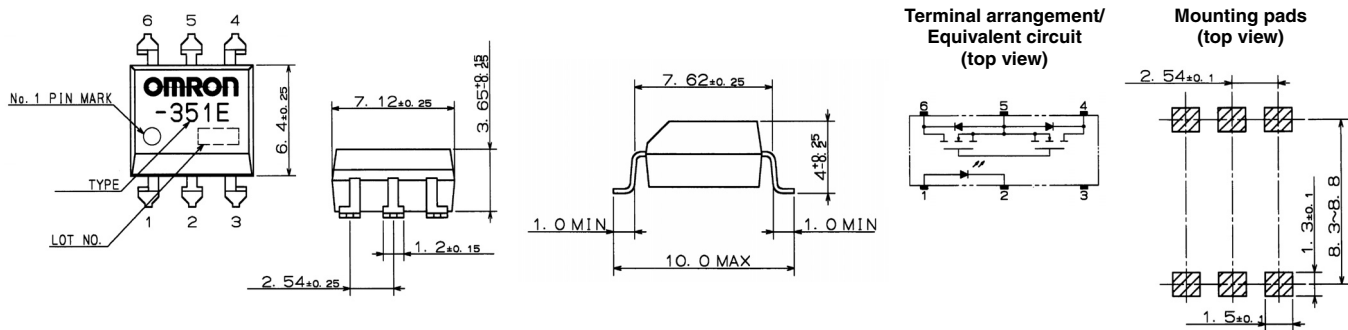
## ■ Surface Mount (SMT) Models

Dimensions also apply to SMT models with (TR) suffix indicating tape-and-reel packaging.

**G3VM-2F, G3VM-2FL, G3VM-351D, G3VM-353D, G3VM-401D, G3VM-61D, G3VM-61D1**

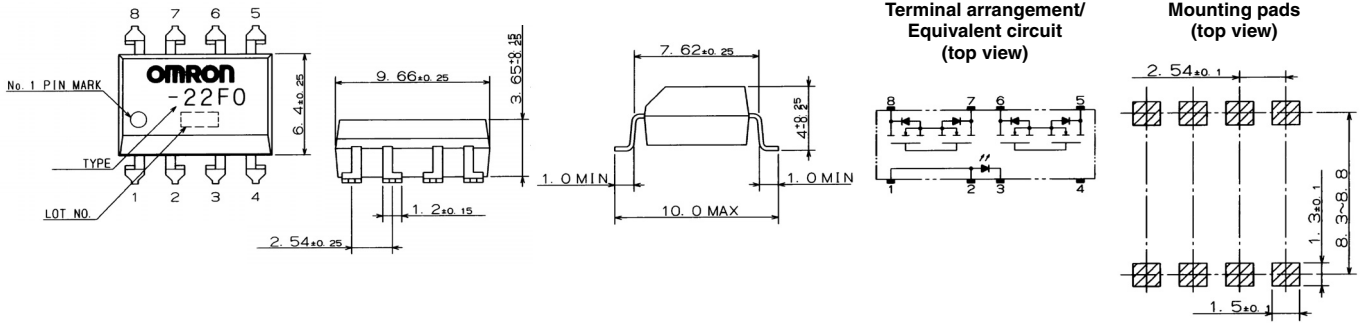


**G3VM-351E, G3VM-353E, G3VM-3F, G3VM-3FL, G3VM-401E, G3VM-401EY, G3VM-601EY, G3VM-61E, G3VM-61E1, G3VM-VF**

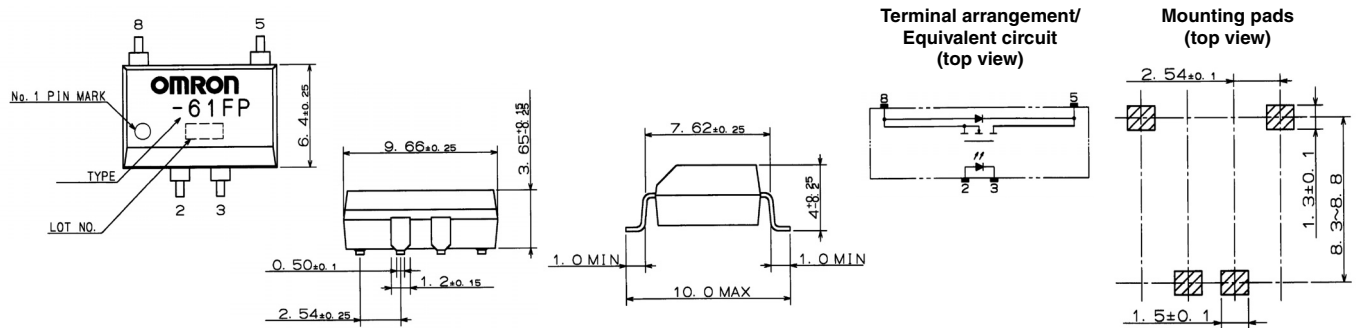




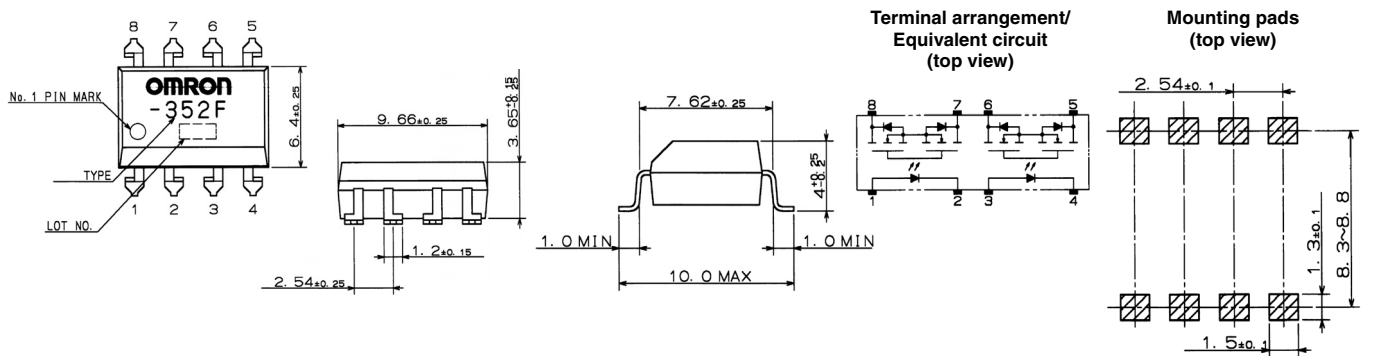
G3VM-22FO, G3VM-61FR



G3VM-61FP



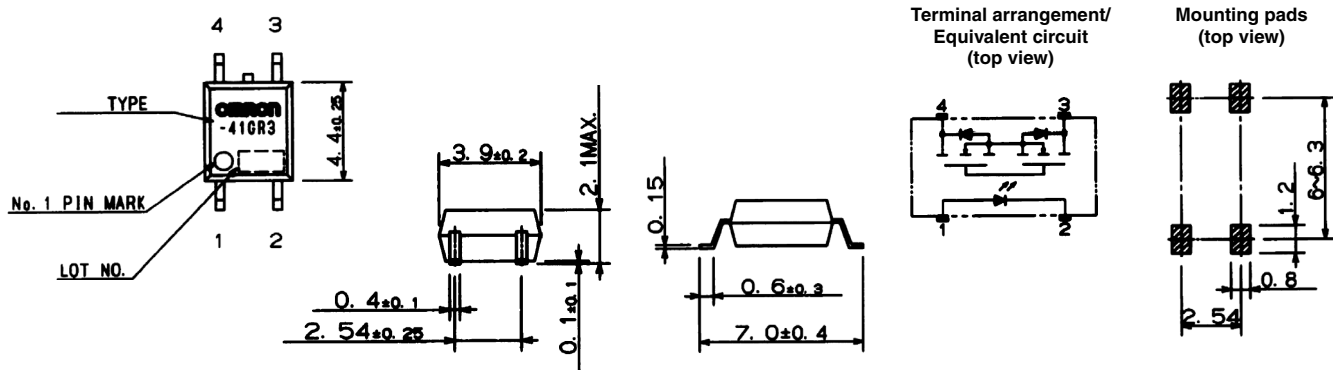
G3VM-355FR, G3VM-352F, G3VM-402F, G3VM-62F1, G3VM-WF, G3VM-WFL, G3VM-354F



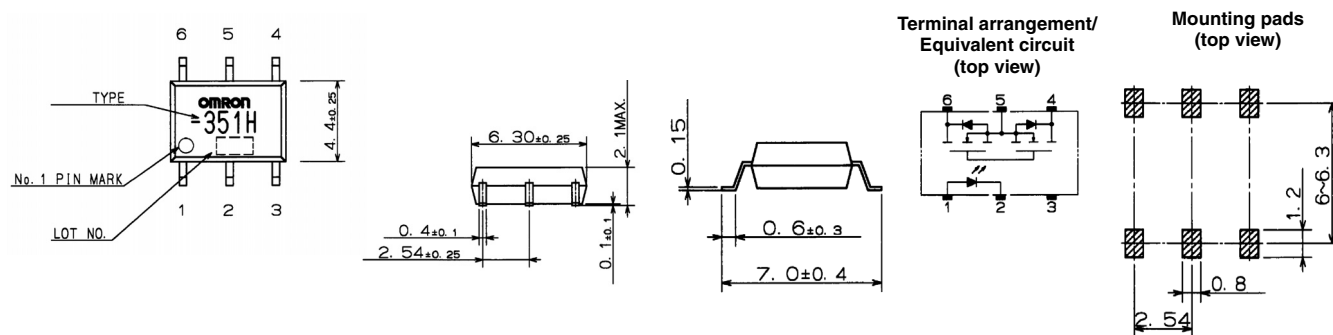
## ■ SOP Models

Dimensions also apply to SOP models with (TR) suffix indicating tape-and-reel packaging.

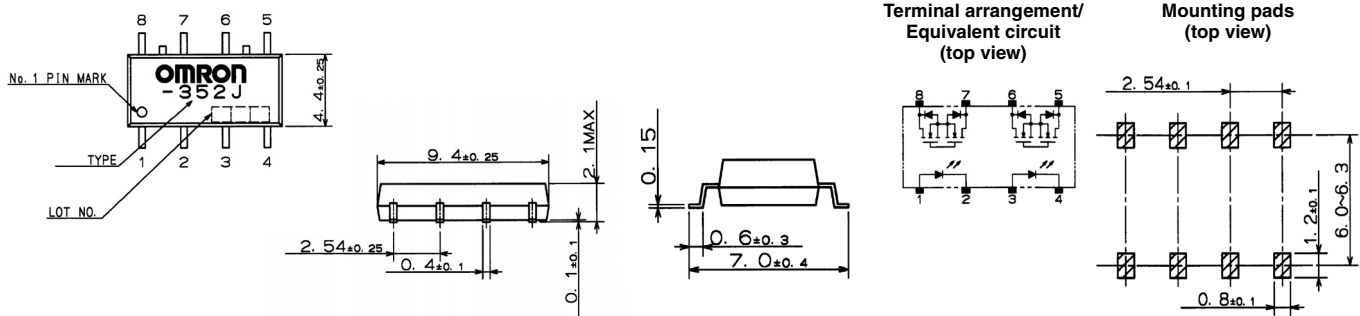
**G3VM-21GR, G3VM-21GR1, G3VM-351G, G3VM-353G, G3VM-401G, G3VM-41GR3, G3VM-41GR4, G3VM-41GR5, G3VM-41GR6, G3VM-61G1, G3VM-81G1, G3VM-S1, G3VM-S2, G3VM-S5**



**G3VM-351H, G3VM-353H, G3VM-61H1, G3VM-81HR, G3VM-S3**

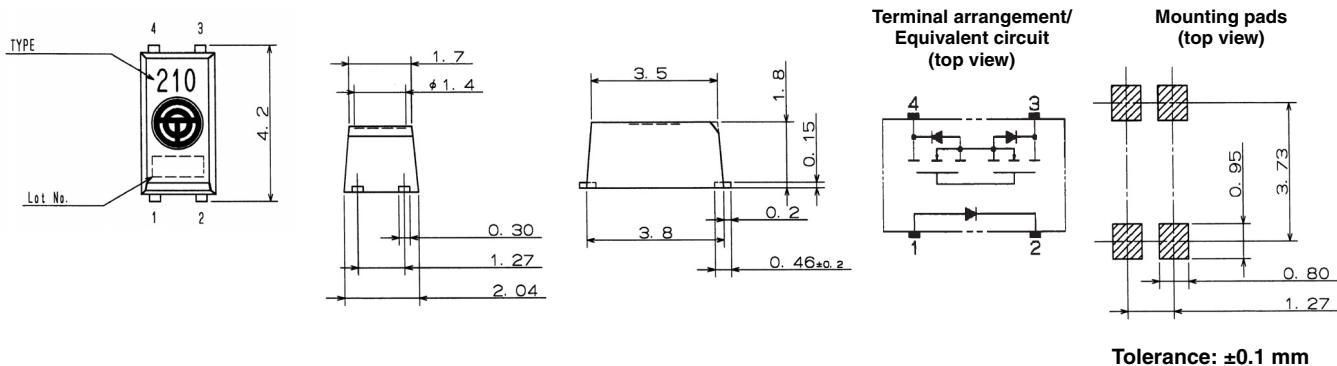


G3VM-352J, G3VM-354J, G3VM-355JR, G3VM-402J, G3VM-62J1, G3VM-SW, G3VM-SY



■ SSOP Models

G3VM-21LR, G3VM-21LR1, G3VM-41LR3, G3VM-41LR4, G3VM-41LR5, G3VM-41R6



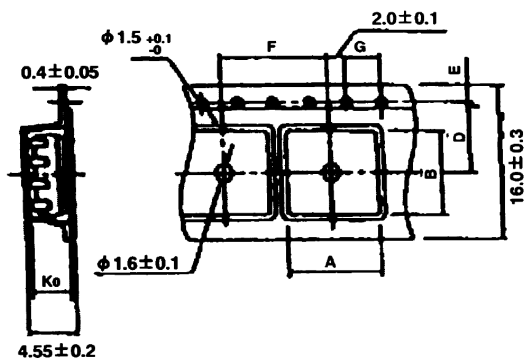
# Tape-and-Reel Dimensions

Unit: mm

## ■ Surface Mount (SMT) Models

G3VM-2F(TR), G3VM-2FL(TR), G3VM-351D(TR), G3VM-353D(TR), G3VM-401D(TR), G3VM-61D(TR), G3VM-61D1(TR)

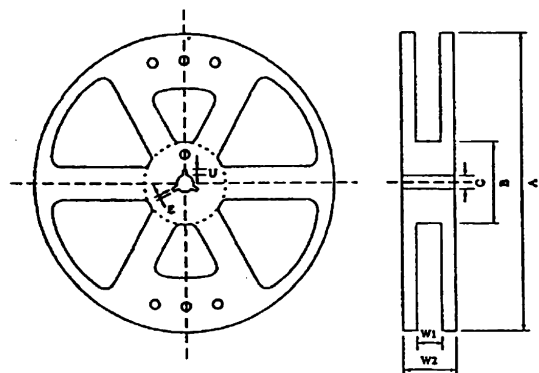
Type Figuration



(Unit: mm)  
Tolerance:  $\pm 0.1$

Symbol	Dimension	Remarks
A	10.4	—
B	7.6	—
K0	4.1	Internal
F	12.0	Total Height $\begin{smallmatrix} +0.1 \\ -0.3 \end{smallmatrix}$ / 10 pitches
G	4.0	Total Height $\begin{smallmatrix} +0.1 \\ -0.3 \end{smallmatrix}$ / 10 pitches
E	1.75	From the edge to reel hole
D	12.0	From reel hole to center

Reel Figuration



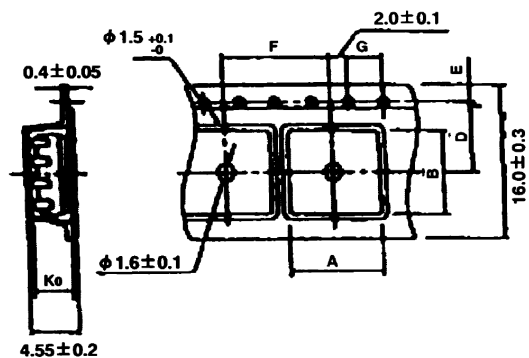
(Unit: mm)

Symbol	Dimension
A	$\phi 380 \pm 2.0$
W1	$17.5 \pm 0.5$
W2	$21.5 \pm 1.0$
B	$\phi 80 \pm 1.0$
C	$\phi 13 \pm 0.5$
E	$2.0 \pm 0.5$
U	$4.0 \pm 0.5$

G3VM-351E(TR), G3VM-353E(TR), G3VM-3F(TR), G3VM-3FL(TR), G3VM-401E(TR), G3VM-401EY(TR), G3VM-601EY(TR), G3VM-61E(TR), G3VM-61E1(TR), G3VM-VF(TR), G3VM-22FO(TR), G3VM-61FP(TR), G3VM-61FR(TR), G3VM-355FR(TR), G3VM-352F(TR), G3VM-402F(TR), G3VM-62F1(TR), G3VM-WF(TR), G3VM-WFL(TR), G3VM-354F(TR)

Type Figuration

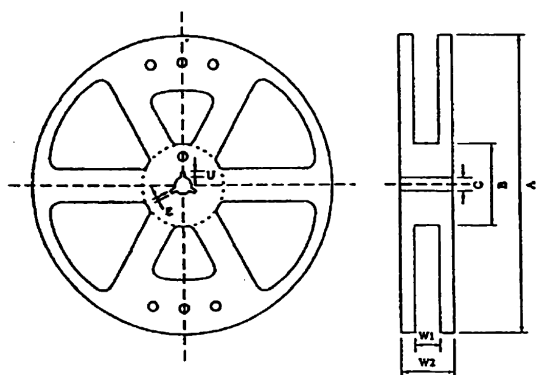
(Unit: mm)  
Tolerance: ±0.1



Symbol	Dimension	Remarks
A	10.4 ± 0.1	—
B	10.1 ± 0.1	—
K0	4.1 ± 0.1	Internal
F	12.0 ± 0.1	Total Height <sup>+0.1</sup> / <sub>-0.3</sub> / 10 pitches
G	4.0 ± 0.1	Total Height <sup>+0.1</sup> / <sub>-0.3</sub> / 10 pitches
E	1.75 ± 0.1	From the edge to reel hole
D	7.5 ± 0.1	From reel hole to center

Reel Figuration

(Unit: mm)

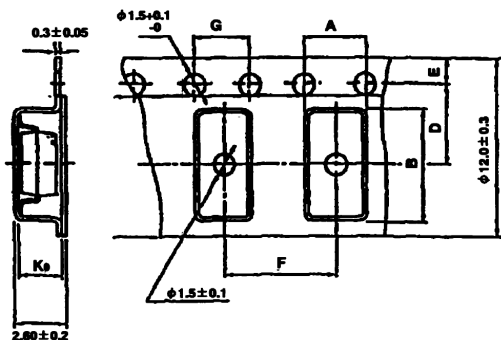


Symbol	Dimension
A	φ 380 ± 2.0
W1	17.5 ± 0.5
W2	21.5 ± 1.0
B	φ 80 ± 1.0
C	φ 13 ± 0.5
E	2.0 ± 0.5
U	4.0 ± 0.5

■ SOP Models

G3VM-21GR(TR), G3VM-21GR1(TR), G3VM-351G(TR), G3VM-353G(TR), G3VM-401G(TR), G3VM-41GR3(TR), G3VM-41GR4(TR), G3VM-41GR5(TR), G3VM-41GR6(TR), G3VM-61G1(TR), G3VM-81G1(TR), G3VM-S1(TR), G3VM-S2(TR), G3VM-S5(TR)

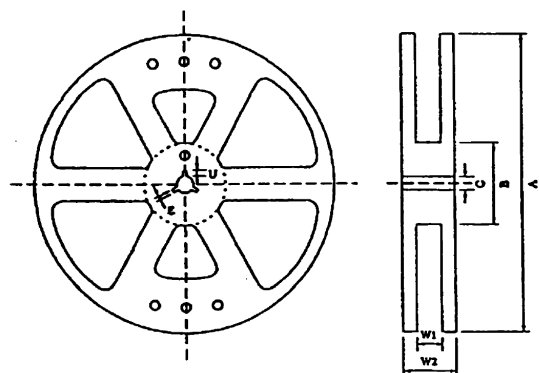
Type Figuration



(Unit: mm)  
Tolerance:  $\pm 0.1$

Symbol	Dimension	Remarks
A	$4.3 \pm 0.1$	—
B	$7.5 \pm 0.1$	—
K0	$2.4 \pm 0.1$	Internal
F	$8.0 \pm 0.1$	Total Height $\begin{smallmatrix} +0.1 \\ -0.3 \end{smallmatrix}$ / 10 pitches
G	$4.0 \pm 0.1$	Total Height $\begin{smallmatrix} +0.1 \\ -0.3 \end{smallmatrix}$ / 10 pitches
E	$1.75 \pm 0.1$	From the edge to reel hole
D	$5.5 \pm 0.1$	From reel hole to center

Reel Figuration



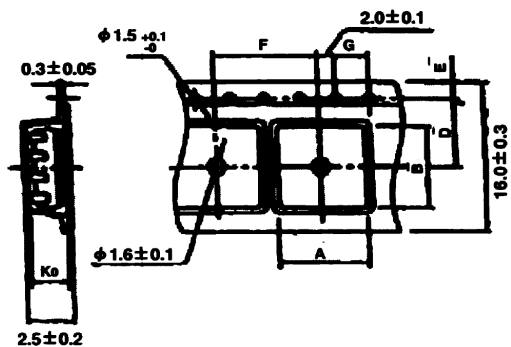
(Unit: mm)

Symbol	Dimension
A	$\phi 380 \pm 2.0$
W1	$17.5 \pm 0.5$
W2	$21.5 \pm 1.0$
B	$\phi 80 \pm 1.0$
C	$\phi 13 \pm 0.5$
E	$2.0 \pm 0.5$
U	$4.0 \pm 0.5$

G3VM-351H(TR), G3VM-353H(TR), G3VM-61H1(TR), G3VM-81HR(TR), G3VM-S3(TR)

Type Figuration

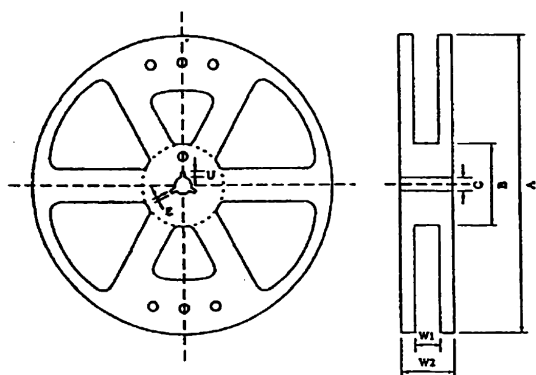
(Unit: mm)  
Tolerance: ±0.1



Symbol	Dimension	Remarks
A	7.5 ± 0.1	—
B	6.7 ± 0.1	—
K0	2.3 ± 0.1	Internal
F	12.0 ± 0.1	Total Height <sup>+0.1</sup> / <sub>-0.3</sub> / 10 pitches
G	4.0 ± 0.1	Total Height <sup>+0.1</sup> / <sub>-0.3</sub> / 10 pitches
E	1.75 ± 0.1	From the edge to reel hole
D	7.5 ± 0.1	From reel hole to center

Reel Figuration

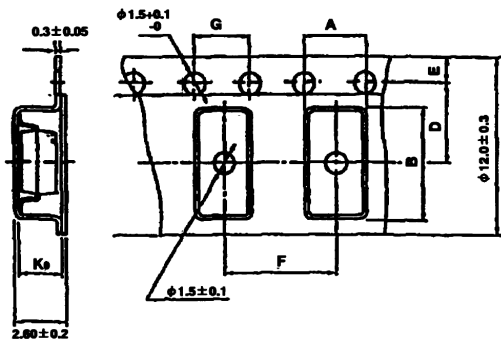
(Unit: mm)



Symbol	Dimension
A	φ 380 ± 2.0
W1	17.5 ± 0.5
W2	21.5 ± 1.0
B	φ 80 ± 1.0
C	φ 13 ± 0.5
E	2.0 ± 0.5
U	4.0 ± 0.5

G3VM-352J(TR), G3VM-354J(TR), G3VM-355JR(TR), G3VM-402J(TR), G3VM-62J1(TR), G3VM-SW(TR), G3VM-SY(TR)

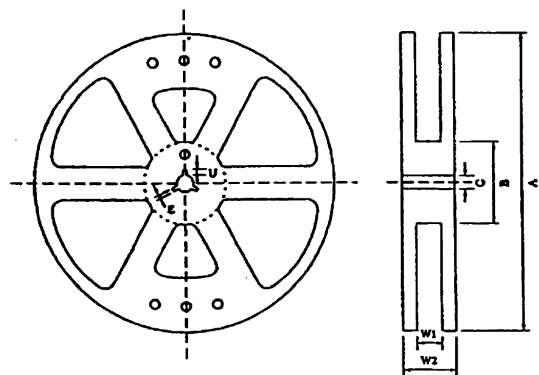
Type Figuration



(Unit: mm)  
Tolerance: ±0.1

Symbol	Dimension	Remarks
A	7.5 ± 0.1	—
B	10.5 ± 0.1	—
K0	2.2 ± 0.1	Internal
F	12.0 ± 0.1	Total Height $\begin{smallmatrix} +0.1 \\ -0.3 \end{smallmatrix}$ / 10 pitches
G	4.0 ± 0.1	Total Height $\begin{smallmatrix} +0.1 \\ -0.3 \end{smallmatrix}$ / 10 pitches
E	1.75 ± 0.1	From the edge to reel hole
D	7.5 ± 0.1	From reel hole to center

Reel Figuration



(Unit: mm)

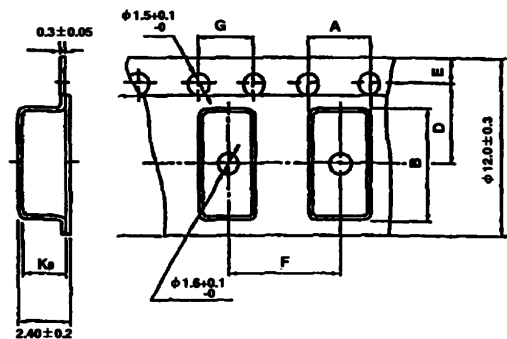
Symbol	Dimension
A	φ 380 ± 2.0
W1	17.5 ± 0.5
W2	21.5 ± 1.0
B	φ 80 ± 1.0
C	φ 13 ± 0.5
E	2.0 ± 0.5
U	4.0 ± 0.5



## ■ SSOP Models

G3VM-21LR, G3VM-21LR1, G3VM-41LR3, G3VM-41LR4, G3VM-41LR5, G3VM-41R6

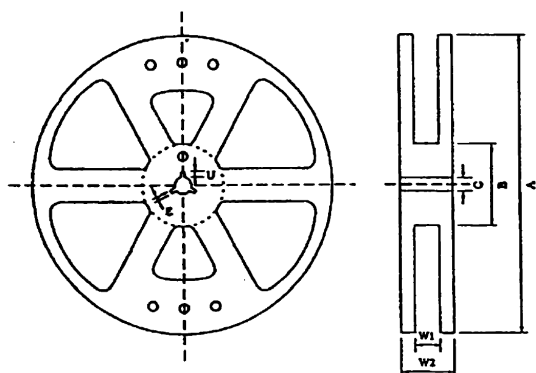
Type Figuration



(Unit: mm)  
Tolerance: ±0.1

Symbol	Dimension	Remarks
A	2.35 ± 0.1	—
B	4.5 ± 0.1	—
K0	2.1 ± 0.1	Internal
F	4.0 ± 0.1	Total Height $\begin{smallmatrix} +0.1 \\ -0.3 \end{smallmatrix}$ / 10 pitches
G	4.0 ± 0.1	Total Height $\begin{smallmatrix} +0.1 \\ -0.3 \end{smallmatrix}$ / 10 pitches
E	1.75 ± 0.1	From the edge to reel hole
D	5.5 ± 0.1	From reel hole to center

Reel Figuration



(Unit: mm)

Symbol	Dimension
A	φ 380 ± 2.0
W1	17.5 ± 0.5
W2	21.5 ± 1.0
B	φ 80 ± 1.0
C	φ 13 ± 0.5
E	2.0 ± 0.5
U	4.0 ± 0.5

# Precautions

## ⚠ WARNING

Always turn the power off before wiring, or an electric shock may occur.

Do not touch the SSR terminal section (the recharge section) while the power supply is connected. Contact with the recharge section will result in an electric shock.

## ⚠ Caution

Do not use excess voltage or current in the SSR input or output circuits. Otherwise, damage to the SSR or a fire will result.

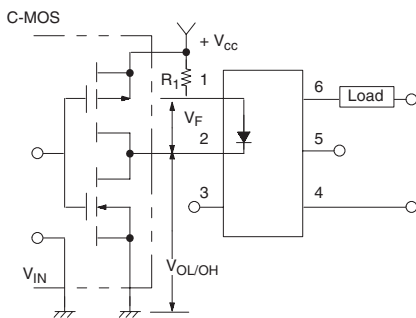
Conduct wiring and soldering correctly according to soldering conditions. If the product is used with incomplete wiring, overheating will occur and may result in a fire.

## ■ Reflow Solder Conditions

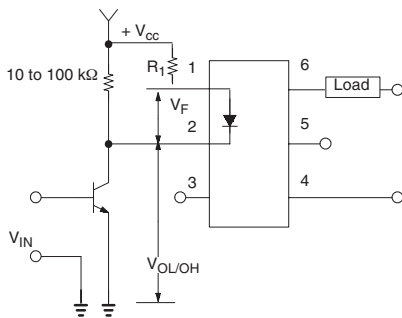
G3VM relays are designed to withstand a maximum soldering temperature of 260°C for 10 seconds.

## ■ Typical Relay Driving Circuit Examples

### C-MOS



### Transistor



Use the following formula to obtain the LED current limiting resistance value to assure that the Relay operates accurately.

$$R_1 = \frac{V_{CC} - V_{OL} - V_F(ON)}{5 \text{ to } 20 \text{ mA}}$$

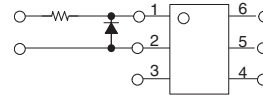
Use the following formula to obtain the LED forward voltage value to assure that the Relay releases accurately.

$$V_{F(OFF)} = V_{CC} - V_{OH} < 0.8 \text{ V}$$

## ■ Protection from Surge Voltage on the Input Terminals

If any reversed surge voltage is imposed on the input terminals, insert a diode in parallel to the input terminals as shown in the following circuit diagram and do not impose a reversed voltage value of 3 V or more.

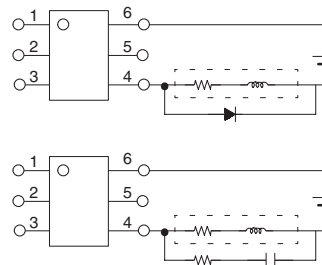
### Spike Voltage Protection Circuit Example



## ■ Protection from Spike Voltage on the Output Terminals

If a spike voltage exceeding the absolute maximum rated value is generated between the output terminals, insert a C-R snubber or clamping diode in parallel to the load as shown in the following circuit diagram to limit the spike voltage.

### Spike Voltage Protection Circuit Example

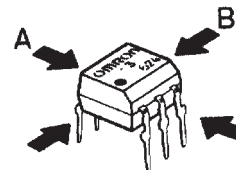


## ■ Unused Terminals

Terminal 3 is connected to the internal circuit. Do not connect anything to terminal 3 externally.

## ■ Relay Holding Force for Automatic Mounting

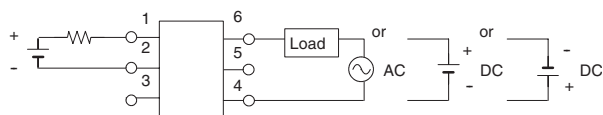
A Relay must not be imposed with a force exceeding 200 gf (1.96 N) in the A or B direction shown in the following illustration when the Relay is mounted automatically, or the characteristics of the Relay may change.



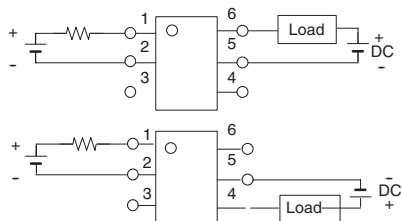
## ■ Load Connection

Do not short-circuit the input and output terminals while the Relay is operating or the Relay may malfunction.

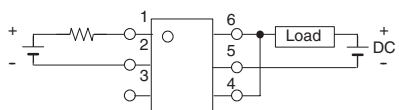
### AC Connection



### DC Single Connection



### DC Parallel Connection





## Certain Terms and Conditions of Sale

1. **Offer; Acceptance.** These terms and conditions (these "Terms") are deemed part of all catalogs, manuals or other documents, whether electronic or in writing, relating to the sale of goods or services (collectively, the "Goods") by Omron Electronic Components LLC and its subsidiary companies ("Seller"). Seller hereby objects to any terms or conditions proposed in Buyer's purchase order or other documents which are inconsistent with, or in addition to, these Terms. Please contact your Omron representative to confirm any additional terms for sales from your Omron company.
2. **Prices.** All prices stated are current, subject to change without notice by Seller. Buyer agrees to pay the price in effect at time of shipment.
3. **Discounts.** Cash discounts, if any, will apply only on the net amount of invoices sent to Buyer after deducting transportation charges, taxes and duties, and will be allowed only if (i) the invoice is paid according to Seller's payment terms and (ii) Buyer has no past due amounts owing to Seller.
4. **Orders.** Seller will accept no order less than \$200 net billing.
5. **Governmental Approvals.** Buyer shall be responsible for, and shall bear all costs involved in, obtaining any government approvals required for the importation or sale of the Goods.
6. **Taxes.** All taxes, duties and other governmental charges (other than general real property and income taxes), including any interest or penalties thereon, imposed directly or indirectly on Seller or required to be collected directly or indirectly by Seller for the manufacture, production, sale, delivery, importation, consumption or use of the Goods sold hereunder (including customs duties and sales, excise, use, turnover and license taxes) shall be charged to and remitted by Buyer to Seller.
7. **Financial.** If the financial position of Buyer at any time becomes unsatisfactory to Seller, Seller reserves the right to stop shipments or require satisfactory security or payment in advance. If Buyer fails to make payment or otherwise comply with these Terms or any related agreement, Seller may (without liability and in addition to other remedies) cancel any unshipped portion of Goods sold hereunder and stop any Goods in transit until Buyer pays all amounts, including amounts payable hereunder, whether or not then due, which are owing to it by Buyer. Buyer shall in any event remain liable for all unpaid accounts.
8. **Cancellation; Etc.** Orders are not subject to rescheduling or cancellation unless Buyer indemnifies Seller fully against all costs or expenses arising in connection therewith.
9. **Force Majeure.** Seller shall not be liable for any delay or failure in delivery resulting from causes beyond its control, including earthquakes, fires, floods, strikes or other labor disputes, shortage of labor or materials, accidents to machinery, acts of sabotage, riots, delay in or lack of transportation or the requirements of any government authority.
10. **Shipping; Delivery.** Unless otherwise expressly agreed in writing by Seller:
  - a. Shipments shall be by a carrier selected by Seller;
  - b. Such carrier shall act as the agent of Buyer and delivery to such carrier shall constitute delivery to Buyer;
  - c. All sales and shipments of Goods shall be FOB shipping point (unless otherwise stated in writing by Seller), at which point title to and all risk of loss of the Goods shall pass from Seller to Buyer, provided that Seller shall retain a security interest in the Goods until the full purchase price is paid by Buyer;
  - d. Delivery and shipping dates are estimates only.
  - e. Seller will package Goods as it deems proper for protection against normal handling and extra charges apply to special conditions.
11. **Claims.** Any claim by Buyer against Seller for shortage or damage to the Goods occurring before delivery to the carrier must be presented in writing to Seller within 30 days of receipt of shipment and include the original transportation bill signed by the carrier noting that the carrier received the Goods from Seller in the condition claimed.
12. **Warranties.** (a) **Exclusive Warranty.** Seller's exclusive warranty is that the Goods will be free from defects in materials and workmanship for a period of twelve months from the date of sale by Seller (or such other period expressed in writing by Seller). Seller disclaims all other warranties, express or implied. (b) **Limitations.** SELLER MAKES NO WARRANTY OR REPRESENTATION, EXPRESS OR IMPLIED, ABOUT NON-INFRINGEMENT, MERCHANTABILITY OR FITNESS FOR A PARTICULAR PURPOSE OF THE GOODS. BUYER ACKNOWLEDGES THAT IT ALONE HAS DETERMINED THAT THE GOODS WILL SUITABLY MEET THE REQUIREMENTS OF THEIR INTENDED USE. Seller further disclaims all warranties and responsibility of any type for claims or expenses based on infringement by the Goods or otherwise of any intellectual property right. (c) **Buyer Remedy.** Seller's sole obligation hereunder shall be to replace (in the form originally shipped with Buyer responsible for labor charges for removal or replacement thereof) the non-complying Good or, at Seller's election, to repay or credit Buyer an amount equal to the purchase price of the Good; provided that in no event shall Seller be responsible for warranty, repair, indemnity or any other claims or expenses regarding the Goods unless Seller's analysis confirms that the Goods were properly handled, stored, installed and maintained and not subject to contamination, abuse, misuse or inappropriate modification. Return of any goods by Buyer must be approved in writing by Seller before shipment. Seller shall not be liable for the suitability or unsuitability or the results from the use of Goods in combination with any electrical or electronic components, circuits, system assemblies or any other materials or substances or environments. Any advice, recommendations or information given orally or in writing, are not to be construed as an amendment or addition to the above warranty. (d) **Damage Limits; Etc.** SELLER SHALL NOT BE LIABLE FOR SPECIAL, INDIRECT OR CONSEQUENTIAL DAMAGES, LOSS OF PROFITS OR PRODUCTION OR COMMERCIAL LOSS IN ANY WAY CONNECTED WITH THE GOODS, WHETHER SUCH CLAIM IS BASED IN CONTRACT, WARRANTY, NEGLIGENCE OR STRICT LIABILITY. Further, in no event shall liability of Seller exceed the individual price of the Good on which liability is asserted. (e) **Indemnities.** Buyer shall indemnify and hold harmless Seller, its affiliates and its employees from and against all liabilities, losses, claims, costs and expenses (including attorney's fees and expenses) related to any claim, investigation, litigation or proceeding (whether or not Seller is a party) which arises or is alleged to arise from Buyer's acts or omissions under these Terms or in any way with respect to the Goods. Without limiting the foregoing, Buyer (at its own expense) shall indemnify and hold harmless Seller and defend or settle any action brought against Seller to the extent that it is based on a claim that any Good made to Buyer specifications infringed intellectual property rights of another party. (f) **Property; Confidentiality.** The intellectual property embodied in the Goods is the exclusive property of Seller and its affiliates and Buyer shall not attempt to duplicate it in any way without the written permission of Seller. Notwithstanding any charges to Buyer for engineering or tooling, all engineering and tooling shall remain the exclusive property of Seller. All information and materials supplied by Seller to Buyer relating to the Goods are confidential and proprietary, and Buyer shall limit distribution thereof to its trusted employees and strictly prevent disclosure to any third party. (g) **Miscellaneous.** (a) **Waiver.** No failure or delay by Seller in exercising any right and no course of dealing between Buyer and Seller shall operate as a waiver of rights by Seller. (b) **Assignment.** Buyer may not assign its rights hereunder without Seller's written consent. (c) **Amendment.** These Terms constitute the entire agreement between Buyer and Seller relating to the Goods, and no provision may be changed or waived unless in writing signed by the parties. (d) **Severability.** If any provision hereof is rendered ineffective or invalid, such provision shall not invalidate any other provision. (e) **Setoff.** Buyer shall have no right to set off any amounts against the amount owing in respect of this invoice. (f) As used herein, "including" means "including without limitation".

## Certain Precautions on Specifications and Use

1. **Suitability of Use.** Seller shall not be responsible for conformity with any standards, codes or regulations which apply to the combination of the Good in the Buyer's application or use of the Good. At Buyer's request, Seller will provide applicable third party certification documents identifying ratings and limitations of use which apply to the Good. This information by itself is not sufficient for a complete determination of the suitability of the Good in combination with the end product, machine, system, or other application or use. The following are some examples of applications for which particular attention must be given. This is not intended to be an exhaustive list of all possible uses of this Good, nor is it intended to imply that the uses listed may be suitable for this Good:
  - (i) Outdoor use, uses involving potential chemical contamination or electrical interference, or conditions or uses not described in this document.
  - (ii) Energy control systems, combustion systems, railroad systems, aviation systems, medical equipment, amusement machines, vehicles, safety equipment, and installations subject to separate industry or government regulations.
  - (iii) Systems, machines and equipment that could present a risk to life or property. Please know and observe all prohibitions of use applicable to this Good.
2. **Programmable Products.** Seller shall not be responsible for the user's programming of a programmable Good, or any consequence thereof.
3. **Performance Data.** Performance data given in this catalog is provided as a guide for the user in determining suitability and does not constitute a warranty. It may represent the result of Seller's test conditions, and the user must correlate it to actual application requirements. Actual performance is subject to the Seller's Warranty and Limitations of Liability.
4. **Change in Specifications.** Product specifications and accessories may be changed at any time based on improvements and other reasons. It is our practice to change part numbers when published ratings or features are changed or when significant construction changes are made. However, some specifications of the Good may be changed without any notice. When in doubt, special part numbers may be assigned to fix or establish key specifications for your application. Please consult with your Seller's representative at any time to confirm actual specifications of purchased Good.
5. **Errors and Omissions.** The information in this catalog has been carefully checked and is believed to be accurate; however, no responsibility is assumed for clerical, typographical or proofreading errors, or omissions.

NEVER USE THE PRODUCT FOR AN APPLICATION INVOLVING SERIOUS RISK TO LIFE OR PROPERTY WITHOUT ENSURING THAT THE SYSTEM AS A WHOLE HAS BEEN DESIGNED TO ADDRESS THE RISKS, AND THAT THE SELLER'S PRODUCT IS PROPERLY RATED AND INSTALLED FOR THE INTENDED USE WITHIN THE OVERALL EQUIPMENT OR SYSTEM.

Complete "Terms and Conditions of Sale" for product purchase and use are on Omron's website at [www.omron.com/oei](http://www.omron.com/oei) – under the "About Us" tab, in the Legal Matters section.

**ALL DIMENSIONS SHOWN ARE IN MILLIMETERS.**

To convert millimeters into inches, multiply by 0.03937. To convert grams into ounces, multiply by 0.03527.

---

**OMRON**<sup>®</sup>

**OMRON ELECTRONIC  
COMPONENTS LLC**

55 E. Commerce Drive, Suite B  
Schaumburg, IL 60173

**847-882-2288**

**OMRON CANADA, INC.**

885 Milner Avenue  
Toronto, Ontario M1B 5V8

**416-286-6465**

**OMRON ON-LINE**

Global - <http://www.omron.com>  
USA - <http://www.omron.com/oei>  
Canada - <http://www.omron.ca>