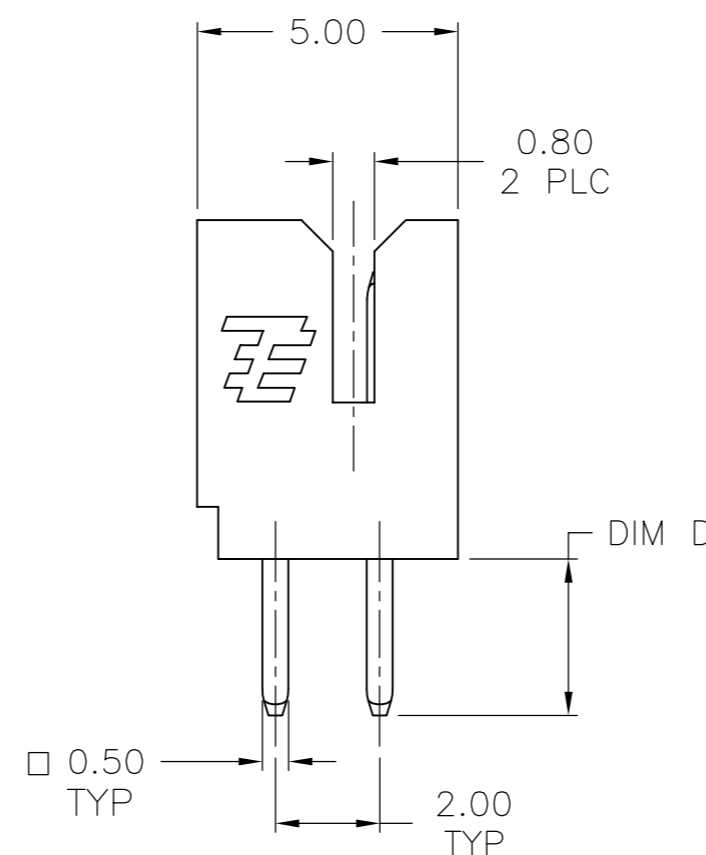
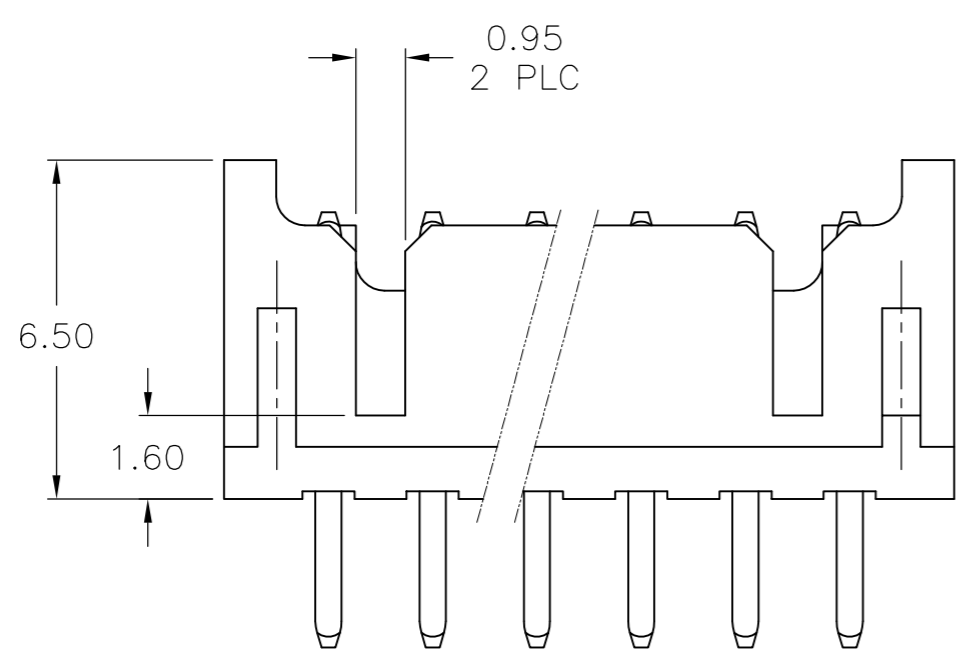
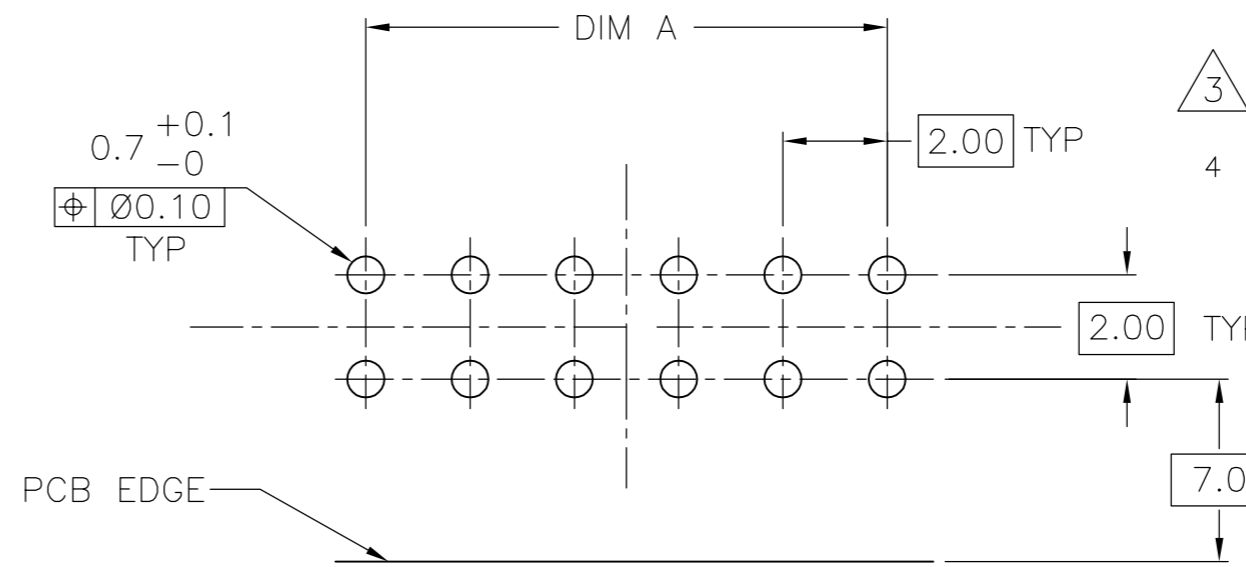
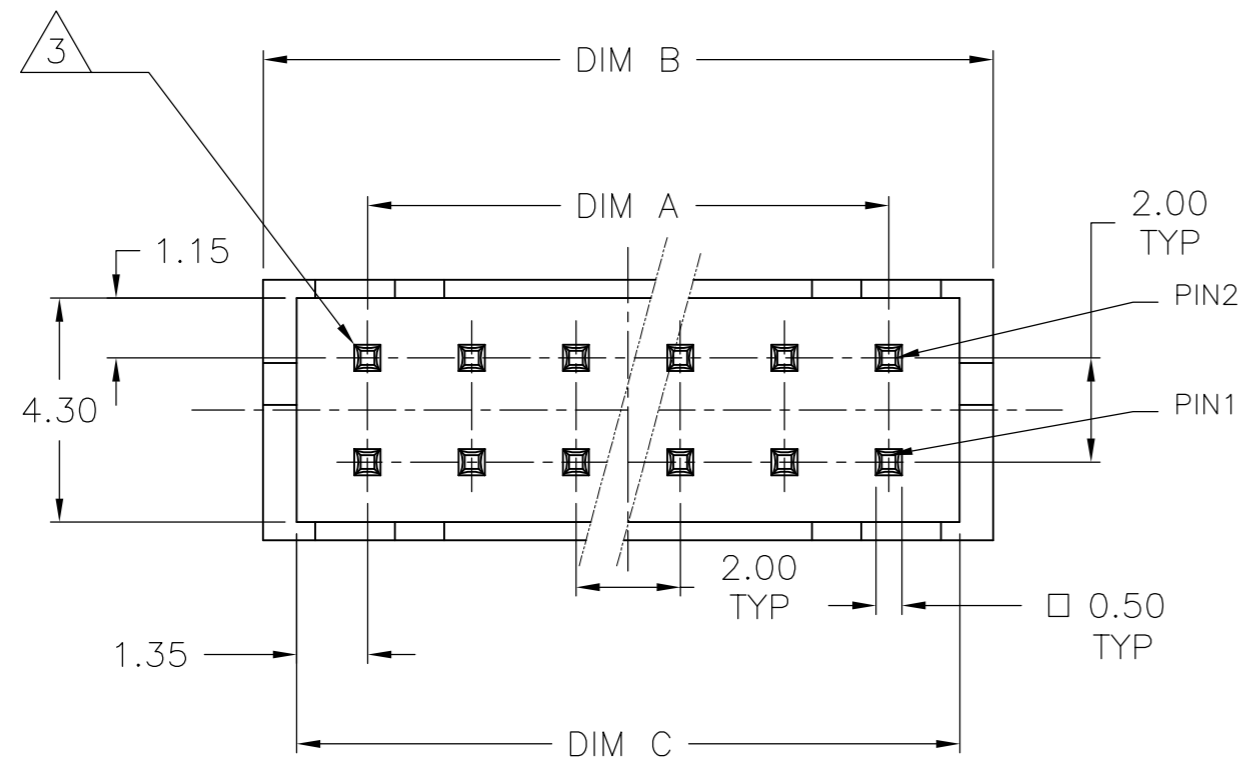


THIS DRAWING IS UNPUBLISHED. RELEASED FOR PUBLICATION
 © COPYRIGHT - By - ALL RIGHTS RESERVED.

REVISIONS					
P	LTR	DESCRIPTION	DATE	DWN	APVD
E2		REVISED PER ECO-15-013423	24SEP2015	NK	JO

- MATERIAL:
HOUSING: NYLON66 UL94V-0, NATURAL COLOR.
CONTACT: BRASS, THICKNESS=0.20MM
- FINISH:
CONTACT: 100μ" MIN. BRIGHT TIN PLATED ON CONTACT AREA
30μ" MIN. NICKEL UNDERPLATED OVER ALL.
- NO PIN AT THIS POSITION.
- WAVE SOLDER CAPABLE TO 240°C PER TE CONNECTIVITY TEST SPEC. 109-202, CONDITION A.



3.00	PIN 3&4	6.74	8.0	4.0	6	9-1470109-6	
2.40		30.74	32.0	28.0	30	8-	-0
	PIN 32	32.74	34.0	30.0	32	7-	-2
	PIN 30	30.74	32.0	28.0	30	7-	-0
	PIN 28	28.74	30.0	26.0	28	6-	-8
	PIN 26	26.74	28.0	24.0	26	6-	-6
	PIN 24	24.74	26.0	22.0	24	6-	-4
	PIN 22	22.74	24.0	20.0	22	6-	-2
	PIN 20	20.74	22.0	18.0	20	6-	-0
	PIN 18	18.74	20.0	16.0	18	5-	-8
	PIN 16	16.74	18.0	14.0	16	5-	-6
	PIN 14	14.74	16.0	12.0	14	5-	-4
	PIN 12	12.74	14.0	10.0	12	5-	-2
	PIN 10	10.74	12.0	8.0	10	5-	-0
	PIN 8	8.74	10.0	6.0	8	4-	-8
	PIN 6	6.74	8.0	4.0	6	4-	-6
		32.74	34.0	30.0	32	3-	-2
		30.74	32.0	28.0	30	3-	-0
		28.74	30.0	26.0	28	2-	-8
		26.74	28.0	24.0	26	2-	-6
		24.74	26.0	22.0	24	2-	-4
		22.74	24.0	20.0	22	2-	-2
		20.74	22.0	18.0	20	2-	-0
		18.74	20.0	16.0	18	1-	-8
		16.74	18.0	14.0	16	1-	-6
		14.74	16.0	12.0	14	1-	-4
		12.74	14.0	10.0	12	1-	-2
		10.74	12.0	8.0	10	1-	-0
		8.74	10.0	6.0	8		-8
		6.74	8.0	4.0	6		-6

DIM D	3 OMITTED PIN	DIM C	DIM B	DIM A	POS.	PART NO.
-------	---------------	-------	-------	-------	------	----------

THIS DRAWING IS A CONTROLLED DOCUMENT.

DWN: O. HU 27JUN2007
 CHK: S. HOU 27JUN2007
 APVD: W.J. KE 27JUN2007

TE Connectivity

NAME: 2.0MM PITCH HEADER, DIP, VERTICAL TYPE

PRODUCT SPEC: 108-57217

APPLICATION SPEC: -

WEIGHT: -

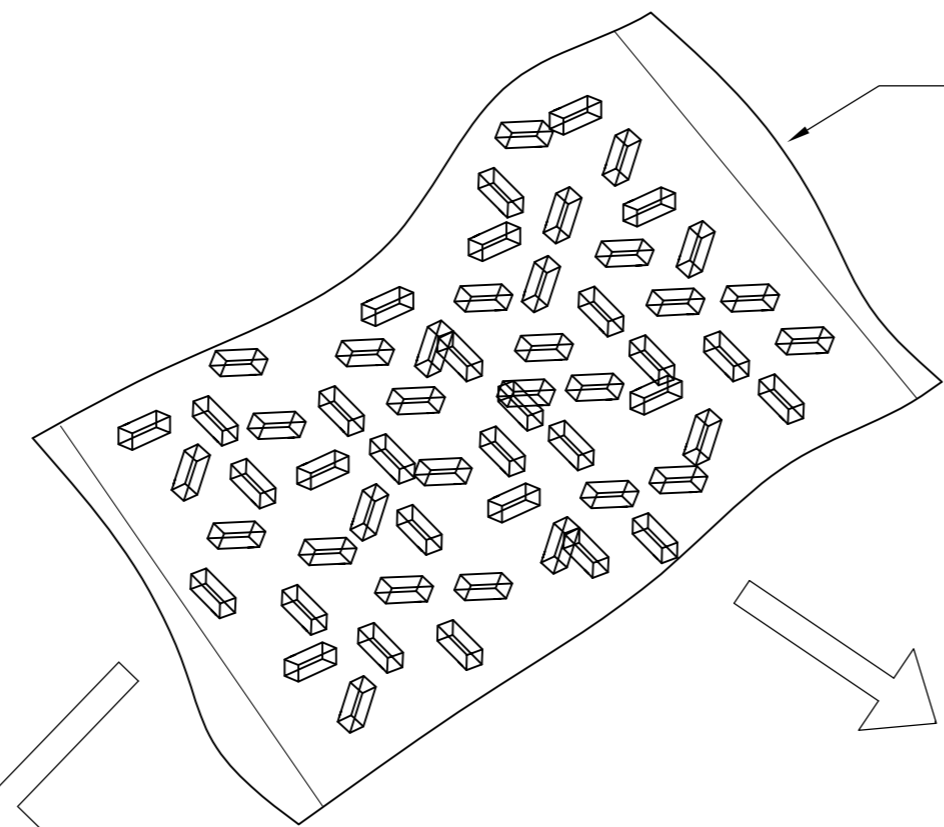
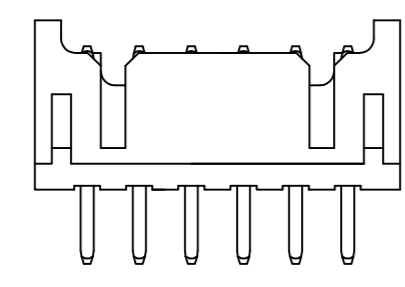
SIZE: A2 CAGE CODE: 00779 DRAWING NO: 1470109 RESTRICTED TO: -

CUSTOMER DRAWING SCALE: 7:1 SHEET: 1 of 2 REV: E2

QUALIFICATION TEST REPORT
 501-57218

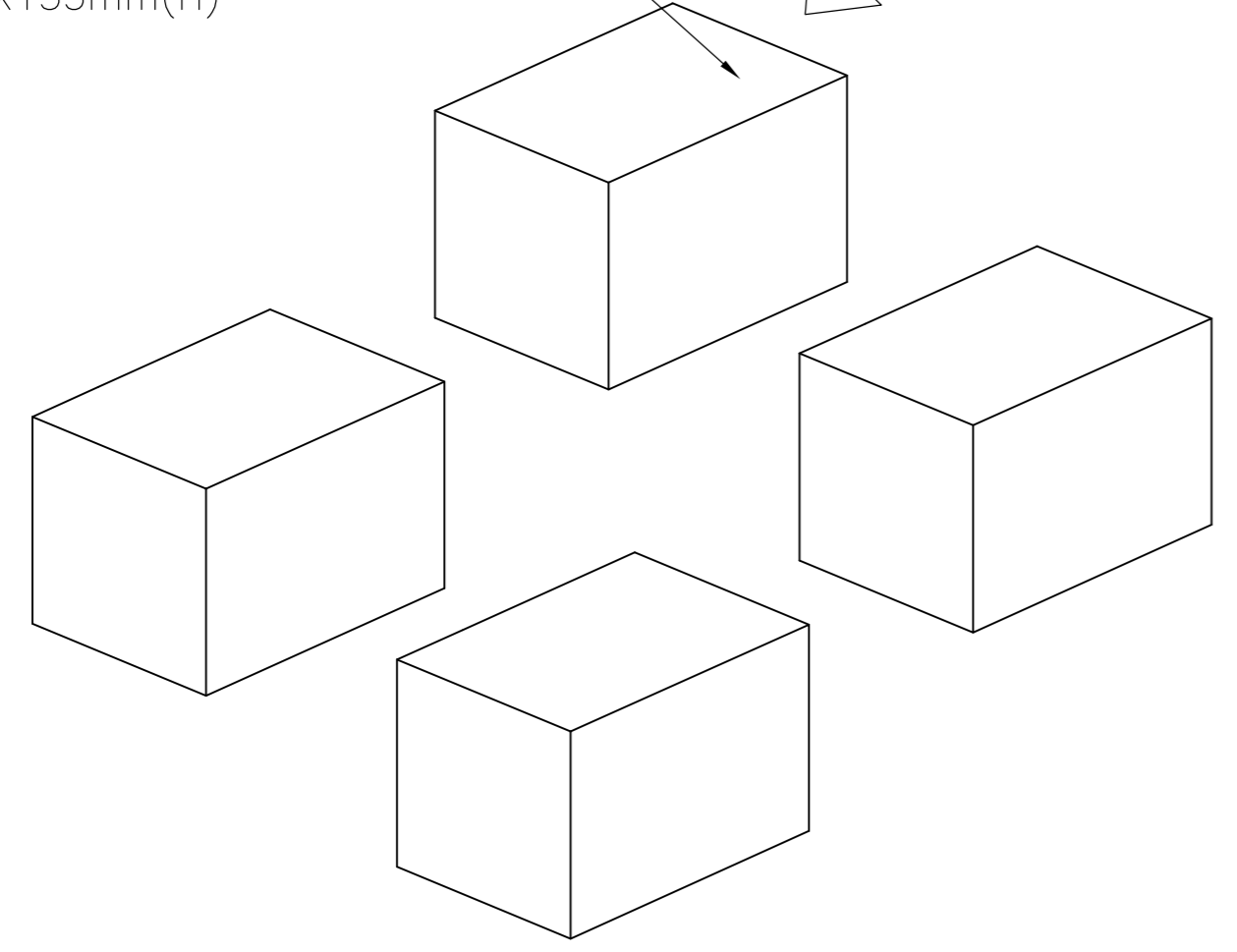
THIS DRAWING IS UNPUBLISHED.
 RELEASED FOR PUBLICATION
 ALL RIGHTS RESERVED.

REVISIONS					
P	LTR	DESCRIPTION	DATE	DWN	APVD
-	-	SEE SHEET 1	-	-	-

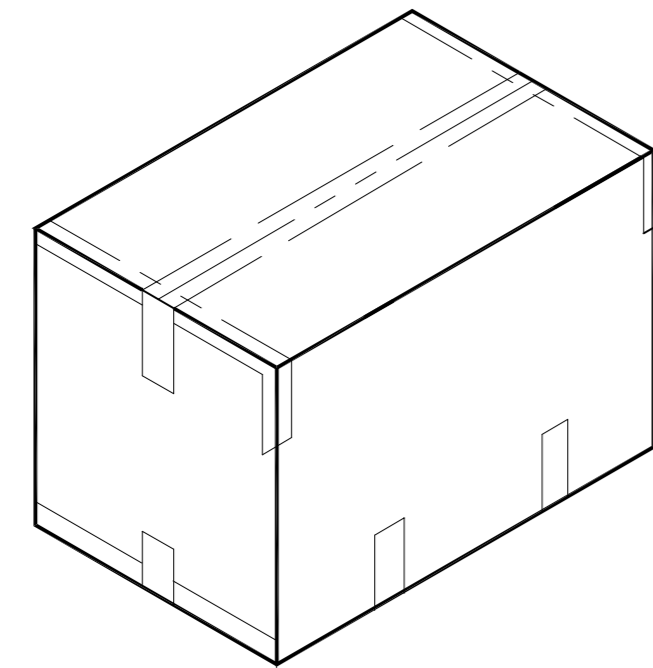
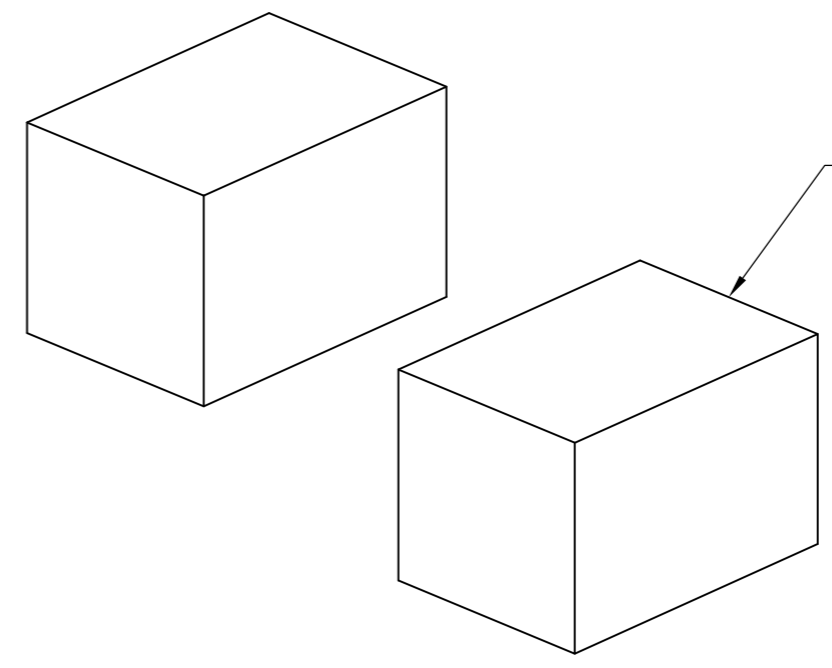


POLY BAG
 127mm(L)X 203mm(W)X0.07mm(H)

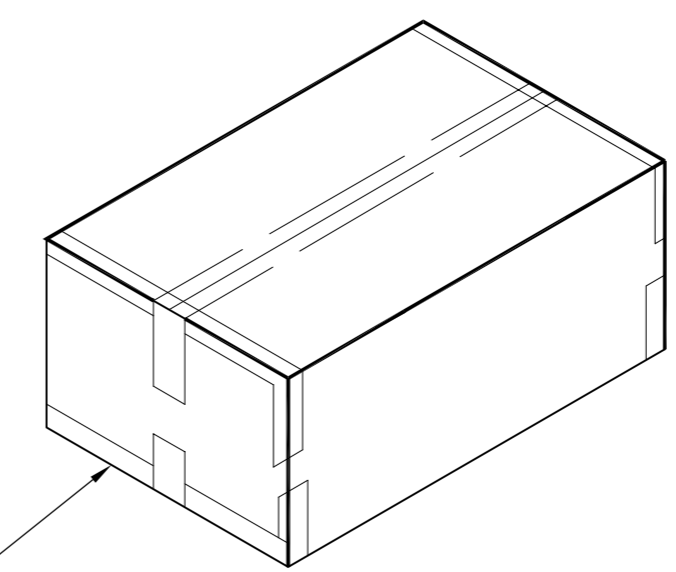
INEER BOX 320mm(L)X220mm
 (W)X155mm(H)



INEER BOX
 320mm(L)X220mm(W)X155mm(H)



CARTON
 340mm(L)X470mm(W)X365mm(H)
 (FOR HEADER 12P~32P ONLY)



CARTON
 340mm(L)X470mm(W)X178mm(H)
 (FOR HEADER 6P~10P ONLY)

23,400	650		9-1470109-6
10,240	160		8-1470109-0
10,240	160	7-1470109-2	3-1470109-2
10,240	160	7-1470109-0	3-1470109-0
10,240	160	6-1470109-8	2-1470109-8
14,400	200	6-1470109-6	2-1470109-6
14,400	200	6-1470109-4	2-1470109-4
14,400	200	6-1470109-2	2-1470109-2
16,000	250	6-1470109-0	2-1470109-0
19,200	300	5-1470109-8	1-1470109-8
19,200	300	5-1470109-6	1-1470109-6
22,400	350	5-1470109-4	1-1470109-4
25,600	400	5-1470109-2	1-1470109-2
14,400	450	5-1470109-0	1-1470109-0
17,600	550	4-1470109-8	1470109-8
23,400	650	4-1470109-6	1470109-6
APQ (POS/CARTON)	PPQ (POS/BAG)		PART NO.

1470109

THIS DRAWING IS A CONTROLLED DOCUMENT.

DWN	O. HU	27JUN2007	 TE Connectivity	NAME 2.0MM PITCH HEADER, DIP, VERTICAL TYPE
CHK	S. HOU	27JUN2007		
APVD	W.J. KE	27JUN2007		
PRODUCT SPEC				
APPLICATION SPEC			SIZE	RESTRICTED TO
MATERIAL			A2 00779	-
FINISH			C-1470109	-
CUSTOMER DRAWING			SCALE 7:1	SHEET 2 OF 2
			REV E2	