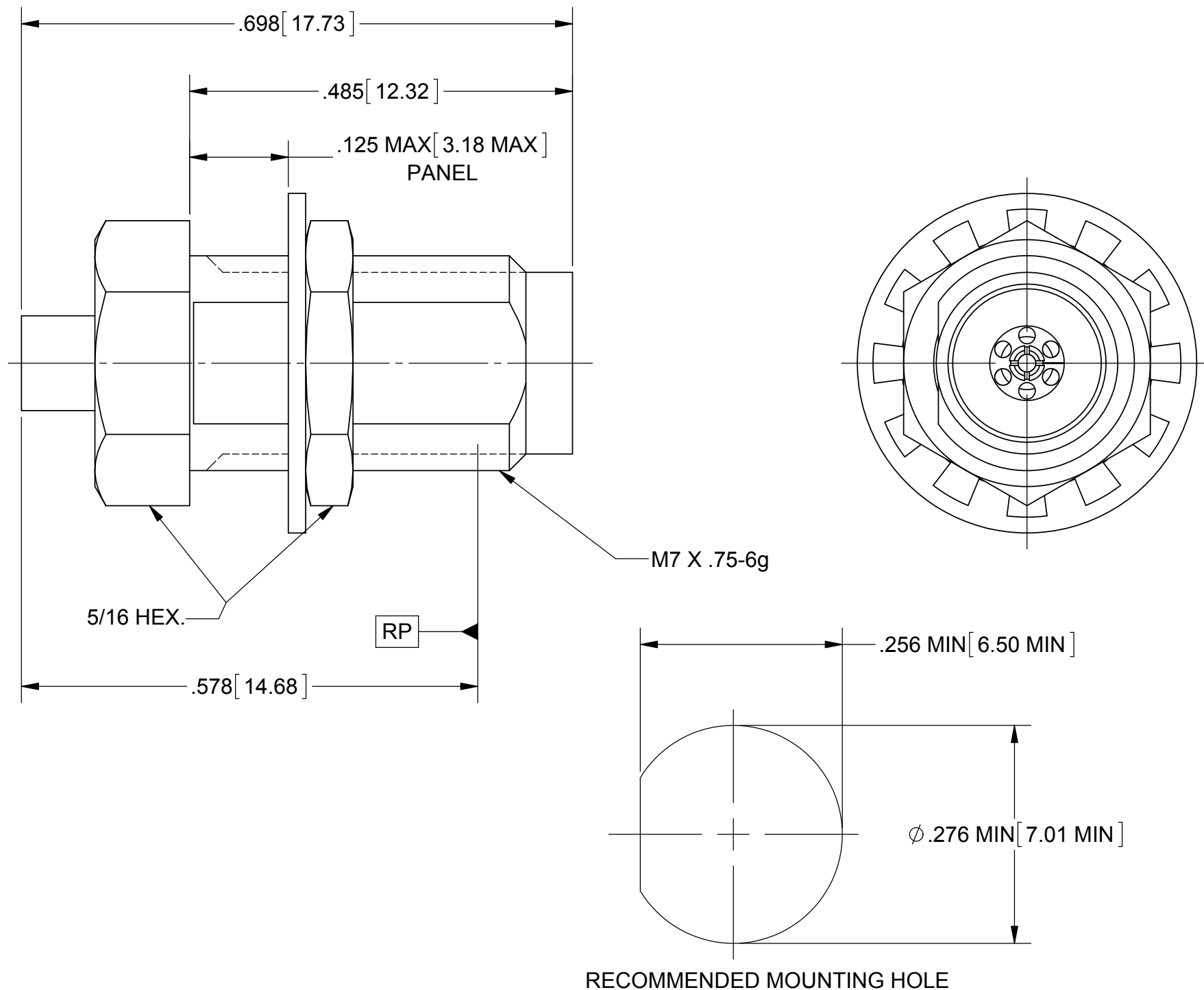
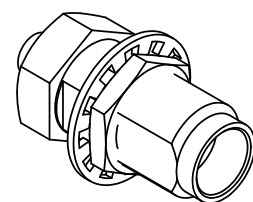


PRODUCT DATA DRAWING

REVISION HISTORY			
REV	DESCRIPTION	DATE	APPROVED
B	DCN 39255	07/12	STW
C	DCN 40576	05/14	STW
D	DCN 41715	09/15	FSG



MATERIAL:

- BODY, HEX NUT, INSERT & FERRULE: STAINLESS STEEL PER AMS-5640, ALLOY UNS S30300, TYPE 1
- LOCKWASHER: 300 SERIES SS
- CONTACT: BERYLLIUM COPPER PER ASTM B196, ALLOY No. UNS C17300, TD04
- BEAD: ULTEM 1000 PER ASTM D5205

FINISH:

- BODY, HEX NUT LOCKWASHER & INSERT: PASSIVATED PER AMS-2700
- CONTACT & FERRULE: GOLD PER ASTM B488, TYPE II, CODE C, CLASS 0.76, OVER NICKEL PER AMS-QQ-N-290, CLASS 1, .00005" MIN.

PERFORMANCE:

- IMPEDANCE: 50 OHMS
- FREQ. RANGE: DC TO 50.0 GHz
- VSWR: 1.35:1 DC TO 50.0 GHz
- INSERTION LOSS: .05 X SQRT (F (F IN GHz))
- OPERATING TEMP.: -55 °C TO +125 °C

MATERIAL: SEE NOTES	DIMENSIONS ARE IN INCHES TOLERANCES: FRACTIONAL: ±1/64 ANGULAR: X° ±1'0" X°X' ±15'	UNLESS OTHERWISE SPECIFIED 1) ALL DIMENSIONS ARE IN INCHES (MILLIMETERS) 2) ALL DIMENSIONS ARE AFTER PLATING. 3) BREAK CORNERS & EDGES .005 R. MAX. 4) CHAM. 1ST & LAST THREADS. 5) SURFACE ROUGHNESS 63-MIL-STD-10. 6) DIA. 'S ON COMMON CENTERS TO BE CONCENTRIC WITHIN .005 T.I.R. 7) REMOVE ALL BURRS	SV Microwave, Inc. 2400 Centrepark West Drive, Suite 100 West Palm Beach, FL 33409
FINISH: SEE NOTES	DECIMAL: X ±.030 .XX ±.010 .XXX ±.005	INTERPRET DIMENSIONS AND TOLERANCES PER ASME Y14.5M - 1994	TITLE: 2.4MM BLKD JACK FOR Ø.086 S.R. CABLE
SURFACE AREA: N/A	THIRD ANGLE PROJECTION	DRAWN: MEB 04/05/04 CHECKED: JMC 04/05/04 APPROVED: JMC 04/05/04	SIZE: B CAGE CODE: 95077 DWG. NO.: SF1644-6001
<p>PROPRIETARY</p> <p>THE INFORMATION CONTAINED IN THIS DRAWING IS THE SOLE PROPERTY OF SV MICROWAVE, INC. ANY REPRODUCTION IN PART OR AS A WHOLE WITHOUT THE WRITTEN PERMISSION OF SV MICROWAVE, INC IS PROHIBITED.</p>		SCALE: 6:1	SHEET 1 OF 1