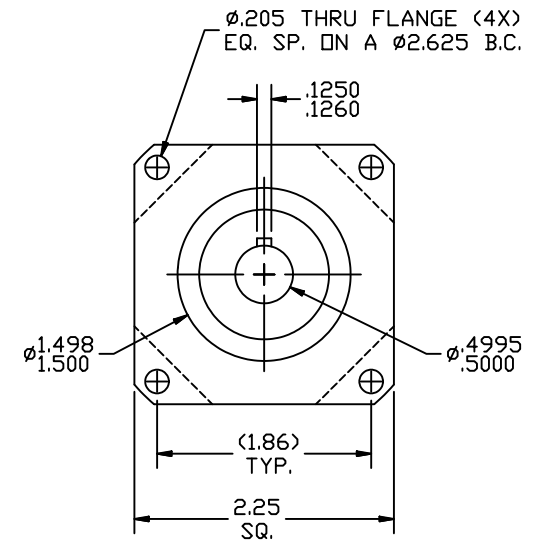
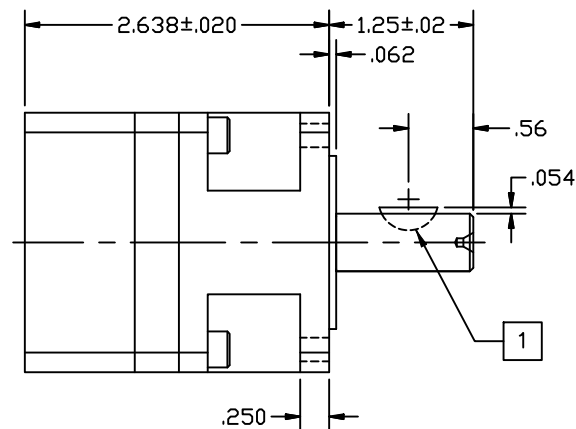
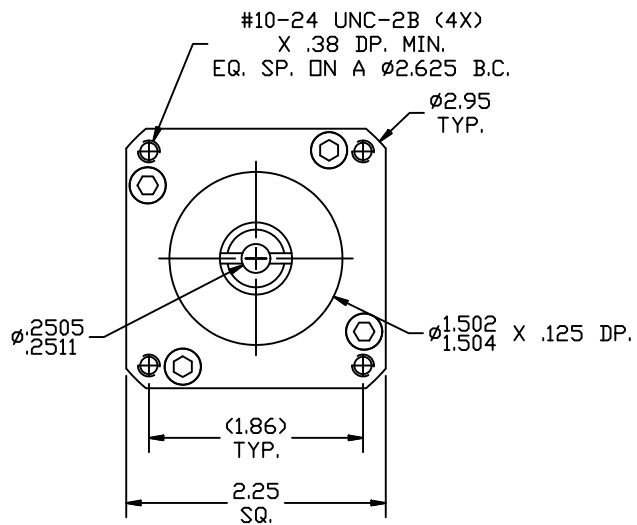


REVISIONS			
REV	DESCRIPTION	DATE	APPROVED
A	INITIAL RELEASE ECO 6709	2/22/13	J Kordik



NOTES: UNLESS OTHERWISE SPECIFIED

- 1 #404 WOODRUFF KEY.
2. 23PL004 RATIO- 4:1
3. FOR TECHNICAL DETAILS, CONTACT APPLIED MOTION PRODUCTS.

TOLERANCES DECIMALS: [MM] INCH X.XXX = ± .005 X.XX = ±[0.13].010 X.X = ±[0.25].020 ANGLES: MACH. = ±.5° CHAM. = ±5°	THIRD ANGLE PROJECTION 		 APPLIED MOTION PRODUCTS, INC. OUTLINE, GEAR HEAD, PL23, 1 STAGE	
	APPROVALS DRAWN <i>R. JONEZ</i> CHECKED	DATE 2/22/13		
	APPROVED	SCALE: FULL	SHEET 1 OF 1	
	COMPUTER DATA BASE DRAWING			