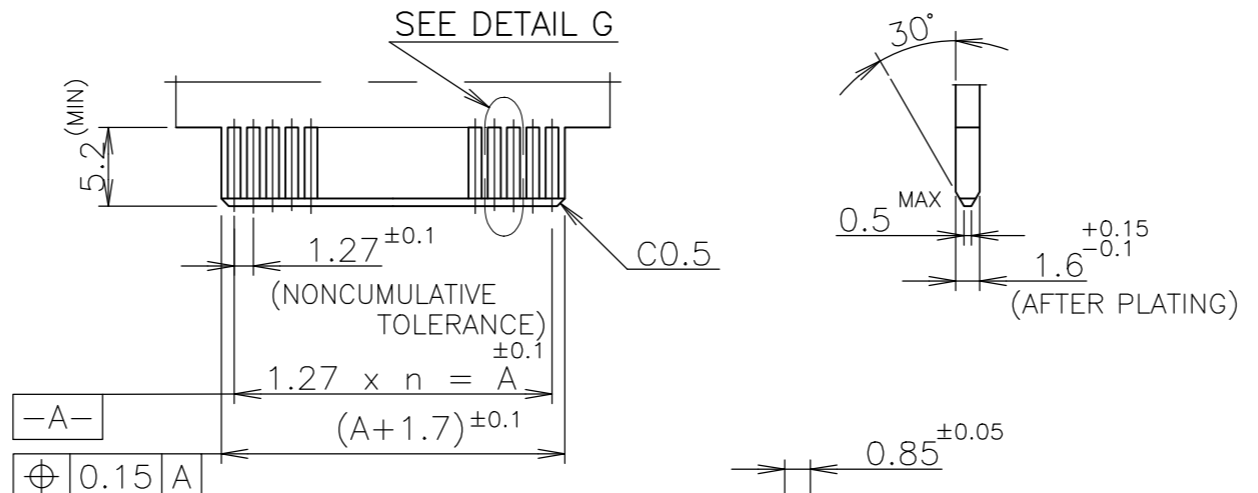
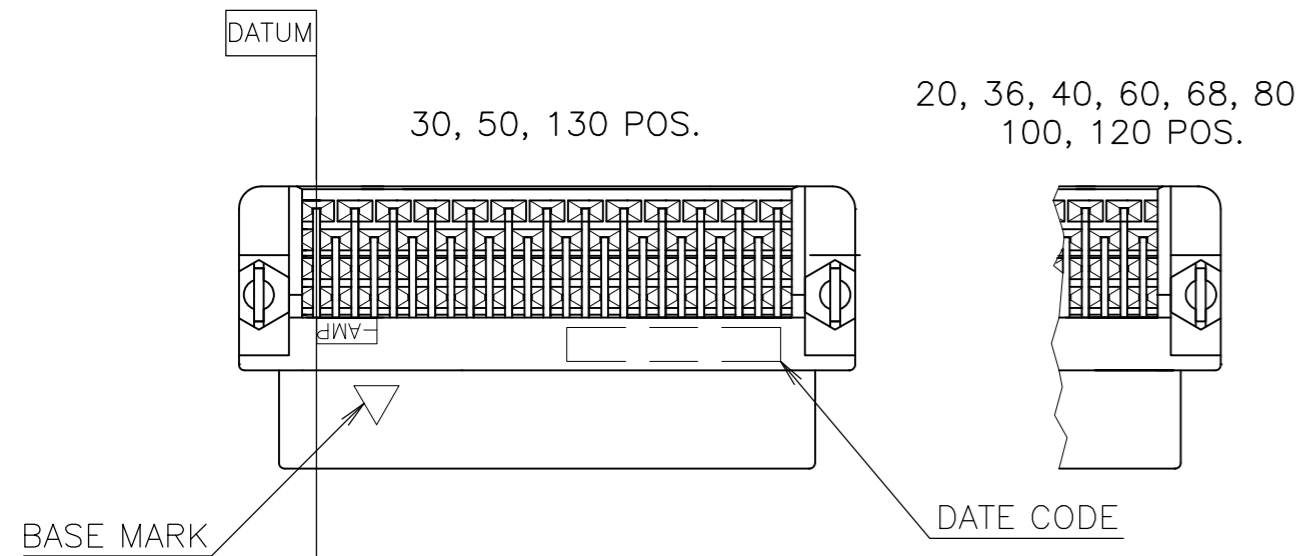
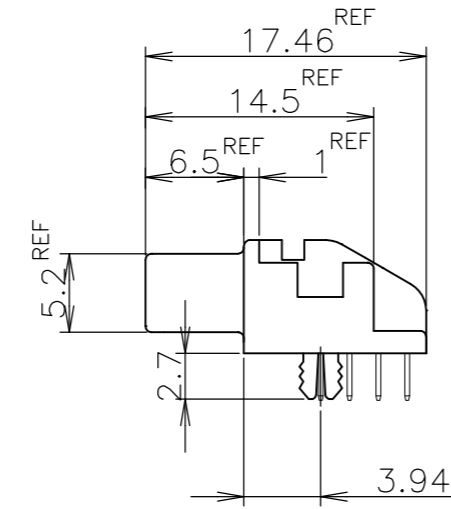
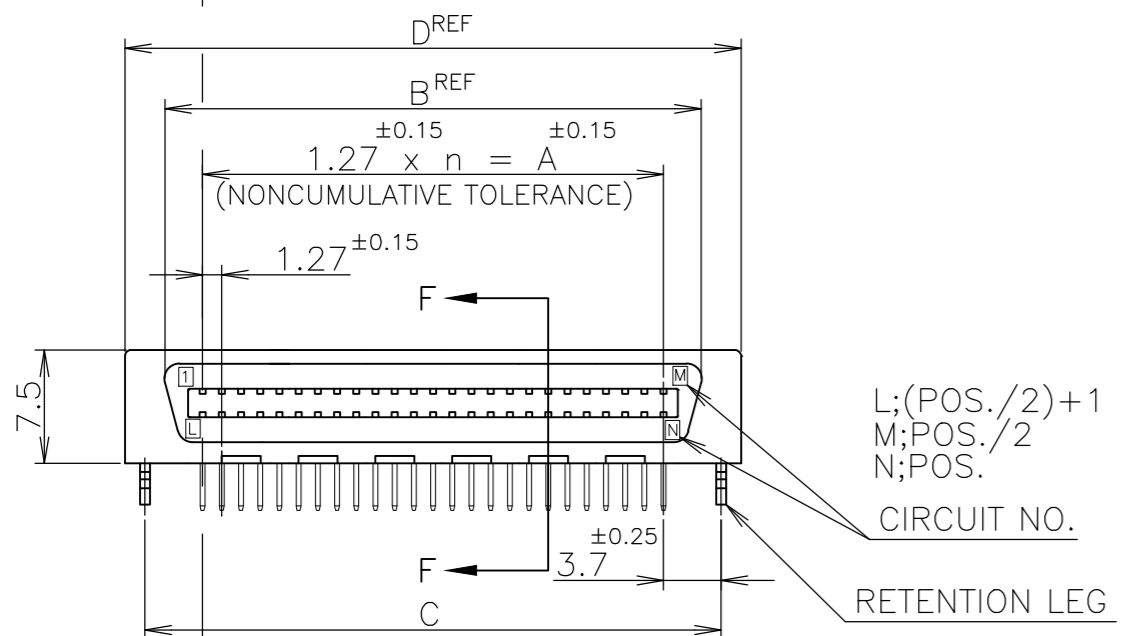


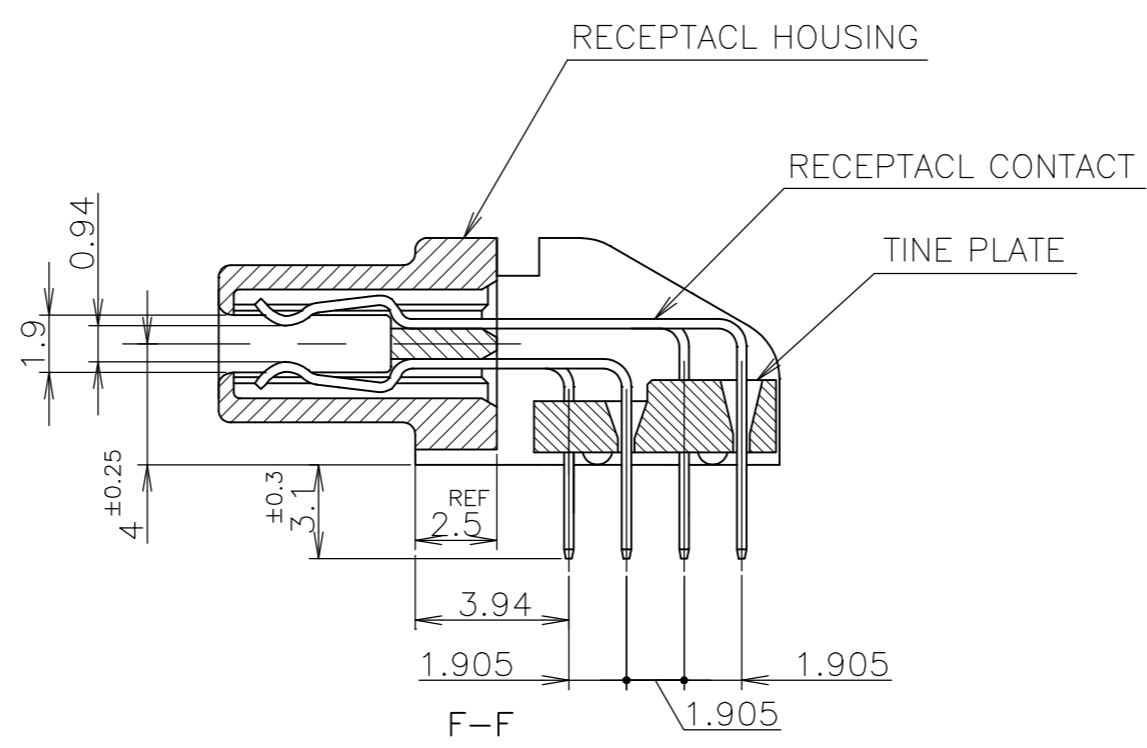
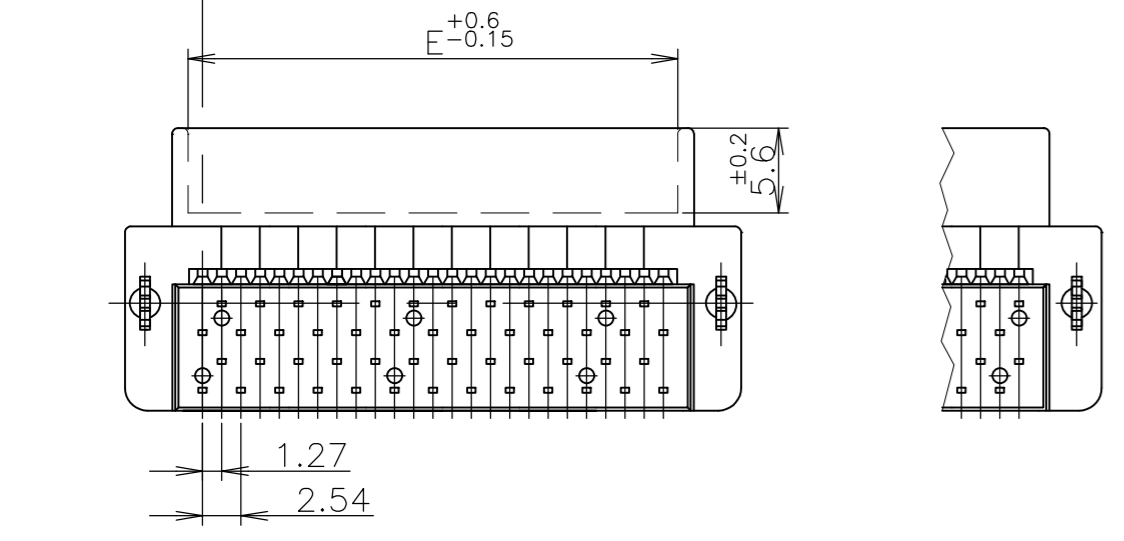
REVISIONS					
P	LTR	DESCRIPTION	DATE	DWN	APVD
S		REVISED PER ECO-17-008763	22JAN2018	RG	SH



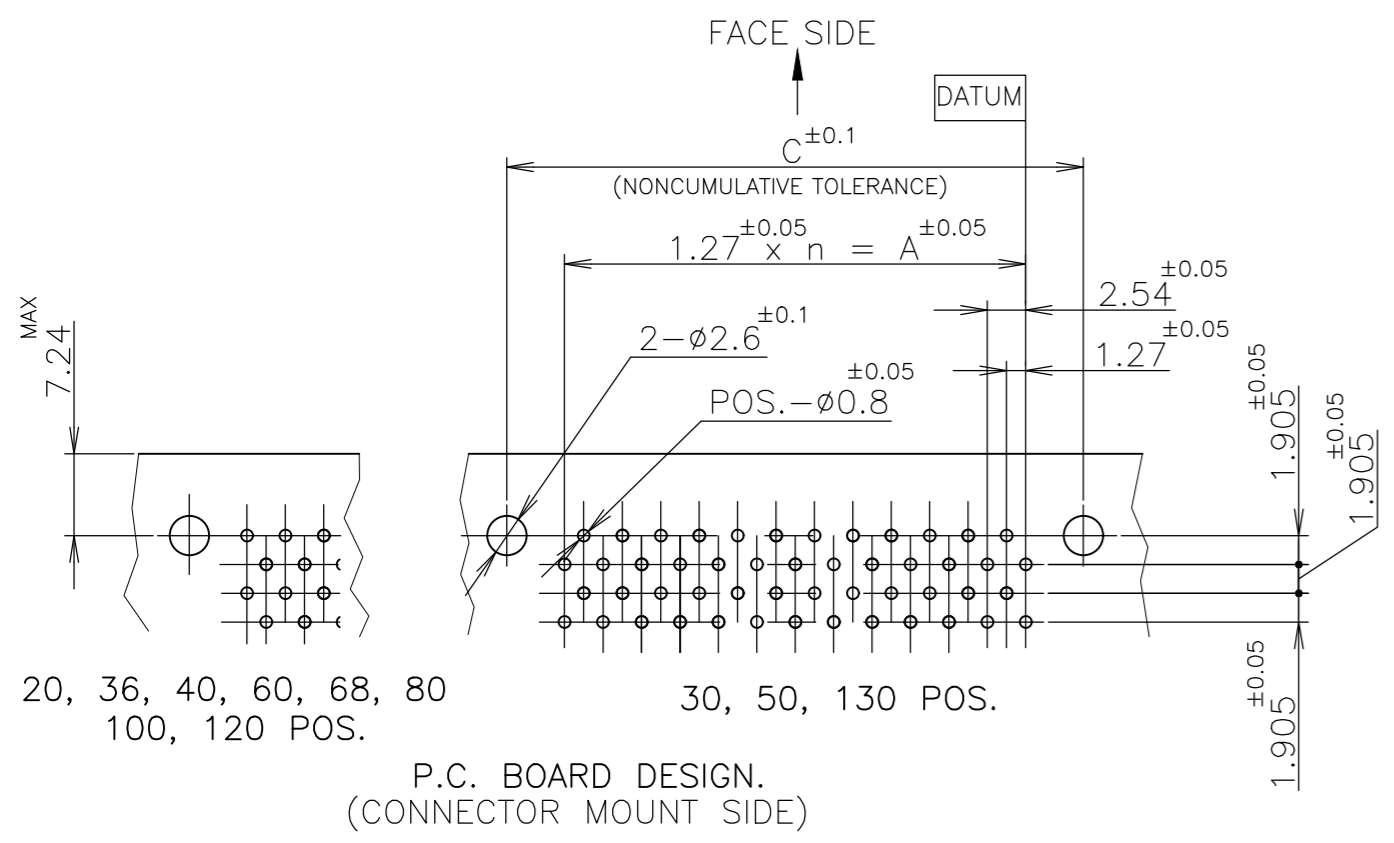
- 1 NUMBER "n" IS COUNTED FROM DATUM (CIRCUIT NO.1 IS "AMP" MARK SIDE.)
- 2 MATERIAL: HOUSING, 66 NYLON (GF) UL 94V-0, BLACK.  
: CONTACT, PHOSPHOR BRONZE.  
: RETENTION LEG; BRASS.
- 3 FINISH: CONTACT; Au AT CONTACT AREA (SEE TABLE),  
TIN AT TINE, OVER Ni.  
RETENTION LEG; TIN UNDER Ni.
- 4 P.C. BOARD THK MUST BE 1.6 FOR CARD EDGE CONNECTOR



RECOMMENDED P.C. BOARD DIMENSIONS.



POS.	n	A	B	C	D	E					
OBSOLETE	6-	2			130	64	81.28	86.82	88.68	92.48	83.18
OBSOLETE	6-	-1			120	59	74.93	80.47	82.33	86.13	76.83
	6-	-0			100	49	62.23	67.77	69.63	73.43	64.13
	5-	-9			80	39	49.53	55.07	56.93	60.73	51.43
OBSOLETE	5-	-8			68	33	41.91	47.45	49.31	53.11	43.81
	5-	-7			60	29	36.83	42.37	44.23	48.03	38.73
	5-	-6			50	24	30.48	36.02	37.88	41.68	32.38
	5-	-5			40	19	24.13	29.67	31.53	35.33	26.03
OBSOLETE	5-	-3			30	14	17.78	23.32	25.18	28.98	19.68
	5-	-1	0.00076		20	9	11.43	16.97	18.83	22.63	13.33
OBSOLETE	4-	-2			130	64	81.28	86.82	88.68	92.48	83.18
OBSOLETE	4-	-1			120	59	74.93	80.47	82.33	86.13	76.83
	4-	-0			100	49	62.23	67.77	69.63	73.43	64.13
OBSOLETE	3-	-9			80	39	49.53	55.07	56.93	60.73	51.43
	3-	-8			68	33	41.91	47.45	49.31	53.11	43.81
	3-	-7			60	29	36.83	42.37	44.23	48.03	38.73
	3-	-6			50	24	30.48	36.02	37.88	41.68	32.38
	3-	-5			40	19	24.13	29.67	31.53	35.33	26.03
	3-	-3			30	14	17.78	23.32	25.18	28.98	19.68
	3-	-1	0.0005		20	9	11.43	16.97	18.83	22.63	13.33
OBSOLETE	1-	-2			130	64	81.28	86.82	88.68	92.48	83.18
OBSOLETE	1-	-1			120	59	74.93	80.47	82.33	86.13	76.83
	1-	-0			100	49	62.23	67.77	69.63	73.43	64.13
OBSOLETE		-9			80	39	49.53	55.07	56.93	60.73	51.43
		-8			68	33	41.91	47.45	49.31	53.11	43.81
OBSOLETE		-7			60	29	36.83	42.37	44.23	48.03	38.73
		-6			50	24	30.48	36.02	37.88	41.68	32.38
		-5			40	19	24.13	29.67	31.53	35.33	26.03
OBSOLETE		-4			36	17	21.59	27.13	28.99	32.79	23.49
OBSOLETE		-3			30	14	17.78	23.32	25.18	28.98	19.68
					20	9	11.43	16.97	18.83	22.63	13.33
					5175474-1	0.0002					



LEAD FREE

GENERAL TOLERANCE  
 10 ≥ ±0.2  
 30 ≥ > 10: ±0.25  
 100 ≥ > 30: ±0.3  
 ANGLES: ±3°

THIS DRAWING IS A CONTROLLED DOCUMENT.

DIMENSIONS: mm	TOLERANCES UNLESS OTHERWISE SPECIFIED:	DWN S.ISHIKAWA 13OCT88	CHK Steven Yao 19AUG2004	APVD Julyee Zhu 19AUG2004	NAME
0 PLC ±	1 PLC ±	2 PLC ±	3 PLC ±	4 PLC ±	ANGLE ±
MATERIAL	FINISH	108-60038	APPLICATION SPEC	WEIGHT 0.000000	CUSTOMER DRAWING

TE Connectivity Ltd.  
 CHAMP .050 CONNECTOR(B-T-B)  
 RECEPTACLE CONNECTOR  
 HORIZONTAL WITH RETENTION LEG

SCALE NTS SHEET 1 OF 1 REV S