



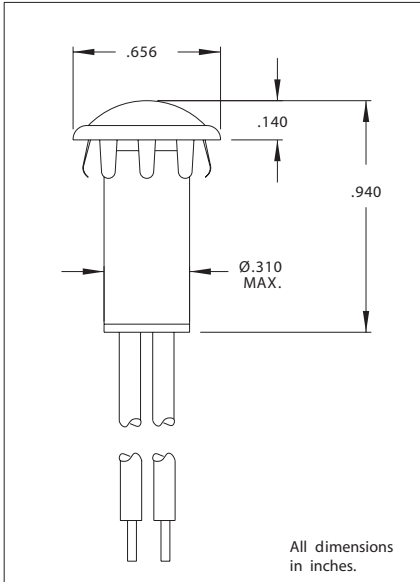
Chicago Miniature Lighting, LLC

Lighting the world since 1910

2990P Series Non-Relampable Incandescent Indicator Lights

2990P Series Non-Relampable Incandescent Indicator Lights

DESCRIPTION AND FEATURES



Mounting: Ø.500 MIN.

Wire Leads: No.24 AWG 4.40/4.80 long, stripped .430/.570

Lens: Polycarbonate

Bezel: Mirror finish chrome plated steel

| Lens Color | Incandescent | |
|------------|--------------------|-----------------|
| | Model No. (12V) | Model No. (28V) |
| Red | 2990P 1-12V | 2990P 1-28V |
| Amber | 2990P 3-12V | 2990P 3-28V |
| White | 2990P 4-12V | 2990P 4-28V |
| Green | 2990P 5-12V | 2990P 5-28V |
| Blue | 2990P 6-12V | 2990P 6-28V |
| Lamp used | #2162 | #2187 |
| Lead color | Yellow | Purple |
| Mounting | P lug-button bezel | |

Underwriters Laboratories (UL) File No. E20325
Canadian Standards Association (CSA) File No. LR13346

147 Central Avenue
Hackensack, NJ 07601
Phone: (201) 489-8989
Fax: (201) 489-6911

18703 Dix Toledo Road
Brownstown, MI 48193

Saret Zone Franca, Edificio B
Alajuela Costa Rica

E-mail: sales@chml.com • Web Site: www.chml.com

Chicago Miniature Lighting, LLC reserves the right to make specification revisions that enhance the design and/or performance of the product