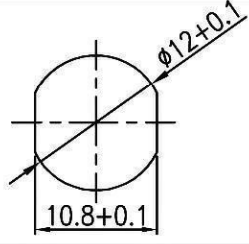
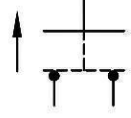
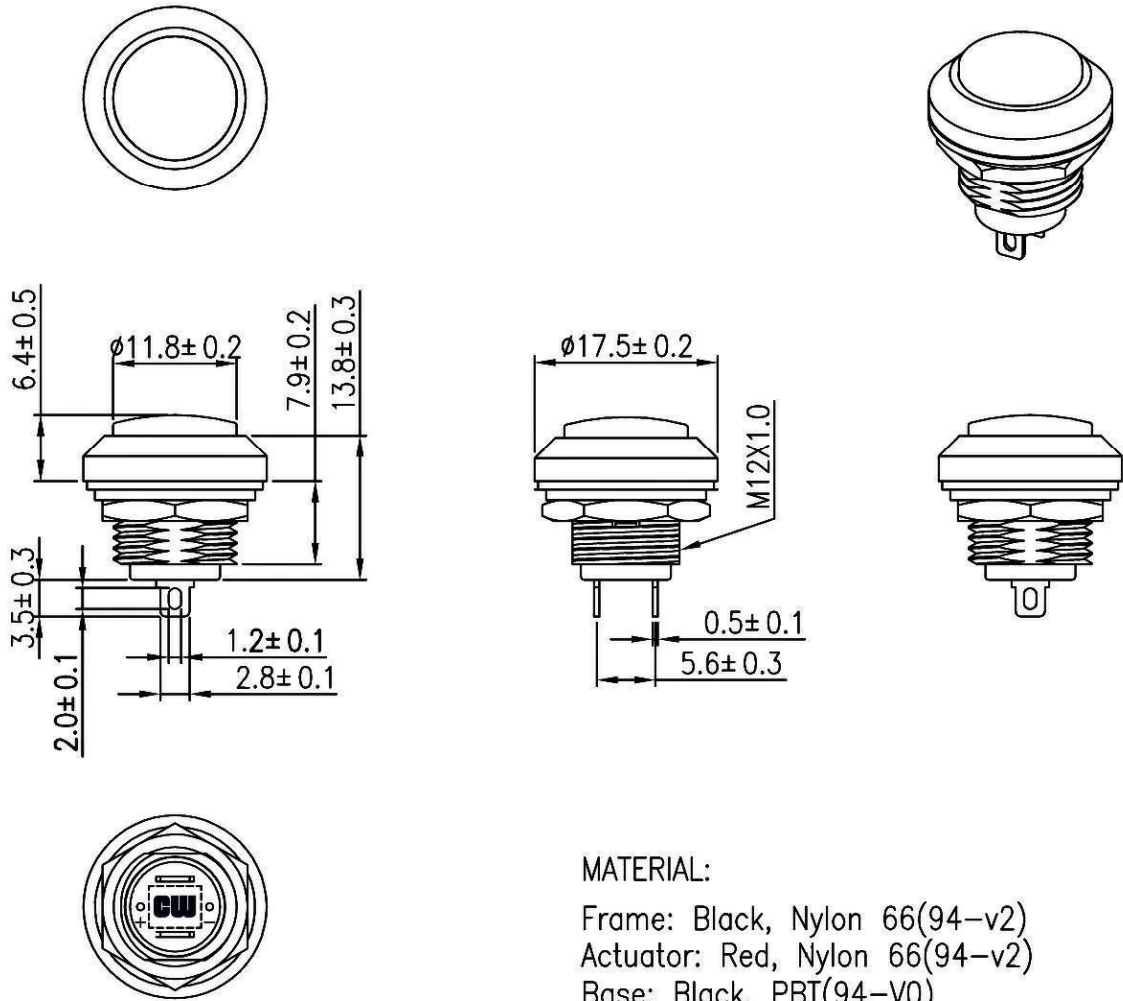


THIS INFORMATION IS CONFIDENTIAL AND PROPRIETARY TO CW INDUSTRIES INCORPORATED AND ITS AFFILIATES. IT MAY NOT BE DISCLOSED TO ANYONE, OTHER THAN CW INDUSTRIES PERSONNEL, WITHOUT WRITTEN AUTHORIZATION FROM CW INDUSTRIES INCORPORATED, SOUTHAMPTON, PENNSYLVANIA USA.

<b>Rating</b>	400mA 32VAC 125mA 125VAC 100mA 50VDC	<b>Mounting Hole</b> 	<b>Circuit Diagram</b> 
<b>Contact Resistance</b>	50m ohm Max		
<b>Insulation Resistance</b>	DC 500V 100M ohm Min.		
<b>Dielectric Strength</b>	AC 1000V 1minute		
<b>Operation Temperature</b>	-25°C~85°C		
<b>Function</b>	2P SPST OFF-(ON)	Thickness:1.5~4.0mm	

( )= Momentary Function



**MATERIAL:**  
 Frame: Black, Nylon 66(94-v2)  
 Actuator: Red, Nylon 66(94-v2)  
 Base: Black, PBT(94-V0)  
 Terminals: Gold plated, Copper  
 Waterproof: IP67

RoHS Compliant

**CW INDUSTRIES**  
 Southampton, Pa. 18966  
 Tel 215.355.7080/www.cwind.com

Date Drawn: 12/01/09

Rev. 0

Unit: mm

Checked By: GG

Title:  
**PUSH BUTTON SWITCH**

CW P/N:  
**GPB556A05BR**