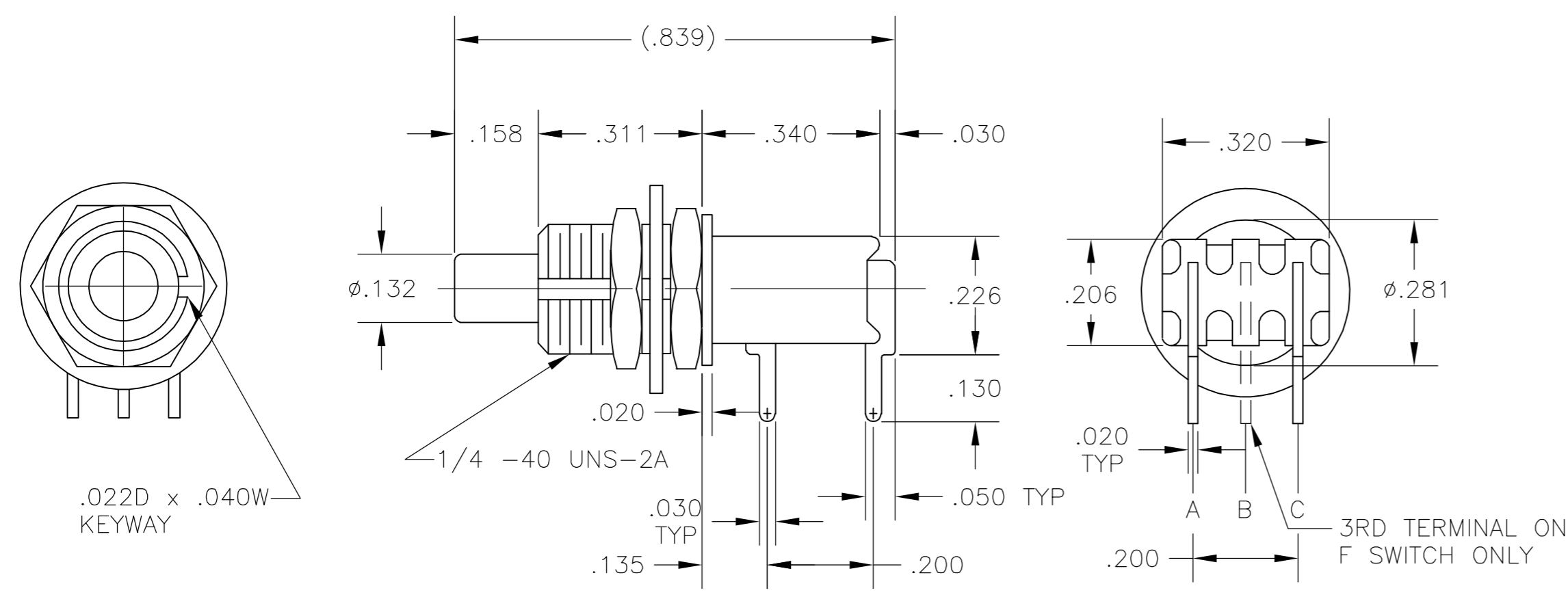


THIS DRAWING IS UNPUBLISHED. RELEASED FOR PUBLICATION  
 © COPYRIGHT BY TYCO ELECTRONICS CORPORATION. ALL RIGHTS RESERVED.

LOC		DIST		REVISIONS			
AD	OO	P	LTR	DESCRIPTION	DATE	DWN	APVD
		B		ECO 06 000585	10AUG06	BSV	MZ



**SPECIFICATIONS:**

**MATERIALS:**

CASE: HIGH TEMPERATURE POLYESTER UL 94V-0  
 ACTUATOR BUTTON: THERMOPLASTIC, COLORS: SEE CHART BELOW  
 MOVING CONTACT: COPPER ALLOY, GOLD PLATED OVER NICKEL  
 FIXED CONTACT: COPPER ALLOY, GOLD PLATED OVER NICKEL  
 TERMINALS: COPPER ALLOY, TIN/LEAD PLATED  
 TERMINAL SEAL: SP EPOXY.

**ELECTRICAL:**

CONTACT RATING: GOLD = 0.4 VA MAX. @20 VDC OR PEAK AC  
 INITIAL CONTACT RESISTANCE: 20 MILLIOHMS MAX.  
 INSULATION RESISTANCE: 1000 MEGOHMS @ 500 VDC MIN.  
 DIELECTRIC STRENGTH: 1000VAC @ SEA LEVEL  
 LIFE EXPECTANCY: 1 POLE = 100,000 CYCLES  
 2 POLES = 80,000 CYCLES

**MECHANICAL:**

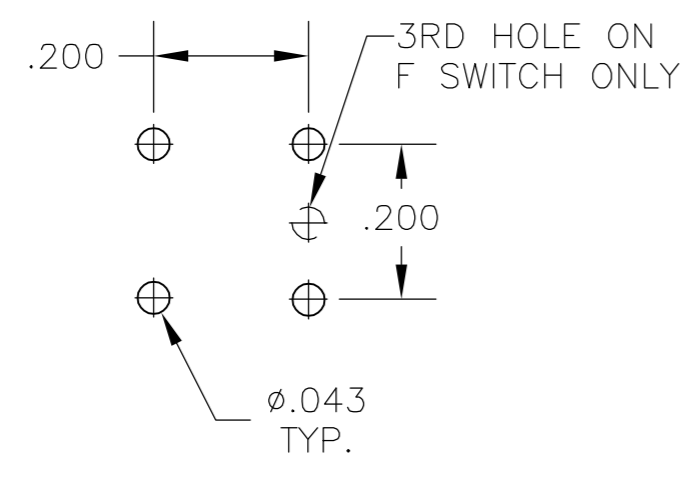
ACTUATION FORCE: 50 TO 400 GRAMS  
 ACTUATION TRAVEL: .030 APPROX.

**ENVIRONMENTAL:**

OPERATING TEMPERATURE: -22°F TO +149°F (-30°C TO +65°C)  
 STORAGE TEMPERATURE: -22°F TO +149°F (-30°C TO +65°C)

**NOTES:**

- INTERPRET DRAWING PER ASME Y14.5M-1994
- SPECIFICATIONS ARE SUBJECT TO CHANGES WITHOUT NOTICE



RECOMMENDED HOLE LAYOUT  
 TOLERANCE  $\pm .002$  UNLESS  
 OTHERWISE NOTED

(*)	BUTTON COLOR
0	BLACK
2	RED
6	BLUE

AUGAT D/N 40145

B TO C (MOM.)	B TO A	SPDT MOMENTARY	TPF11FG-RA (*)
A TO C	NONE	SPST NORMALLY OPEN	TPF11CG-RA (*)
DEPRESSED BUTTON	FREE BUTTON	ACTION	MODEL NO.
CONTACTS			

THIS DRAWING IS A CONTROLLED DOCUMENT.		DWN	10NOV78	Tyco Electronics Corporation Harrisburg, Pa 17105-3608			
DIMENSIONS: INCHES		CHK	20NOV78				
TOLERANCES UNLESS OTHERWISE SPECIFIED:		APVD	20NOV78				
0 PLC $\pm -$ 1 PLC $\pm -$ 2 PLC $\pm -$ 3 PLC $\pm .010$ 4 PLC $\pm -$ ANGLES $\pm -$		NAME	F.D.KRICHOFF				
MATERIAL SEE SPECIFICATIONS	FINISH SEE SPECIFICATIONS	PRODUCT SPEC	APPLICATION SPEC	PUSH BUTTON SWITCH TPF11*G-RA(*)			
		WEIGHT	-	SIZE	CAGE CODE	DRAWING NO	RESTRICTED TO
		CUSTOMER DRAWING		A2	00779	C=7-1437572-2	-
				SCALE	4:1	SHEET	1 OF 1
						REV	B

7-1437572-2