



83880 with cable output Metal roller plunger Part number 83885101



- IP 66/67
- Metal case
- cUL approval

Part numbers

| Type | Characteristics | Type of output |
|---------------------------------|-------------------------|------------------|
| 83 885 101 Metal roller plunger | Plunger with 90° roller | Cable length 1 m |

Specifications

| | |
|--|--|
| Conformity to standards | IEC / EN 60947.5.1 Dimensional conformity : NFC 63145 Low voltage directive : 73/23/EEC and 93/68/EEC Electric shock protection : NFC 20030 or IEC 60536 class 1, degree of pollution 3 |
| Protection against electric shocks | |
| Degree of protection IEC 60529 | |
| Degree of protection according to NEMA 250 | Type 1, 3, 4, 6, 13 |

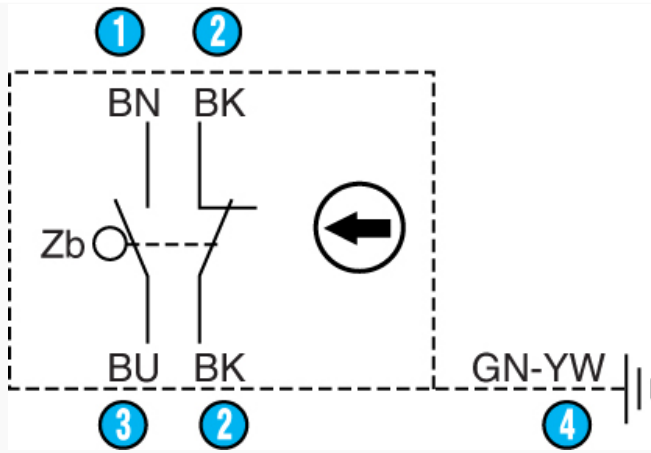
Electrical characteristics

| | |
|--|---|
| Connection | |
| Operating temperature (°C) | -25 → +70 °C |
| Assigned impulse voltage (Uimp) - V | 2500 |
| Assigned insulation voltage Ui (V) | 500 |
| Thermal current I (A) | 10 |
| Low-load switching - Minimum voltage (V) | 10 |
| Low-load switching - Minimum current (mA) | 100 |
| Assigned working characteristics (EN 60 947.5.1, UL 508) | A300 = AC15 250 V 6 A Q150 = DC13 24 V 8 A |
| Use category according to IEC 947.5.1 | AC15=250 V/6 A DC13=24 V/8 A |
| Use category according to UL 508 | A300 - Q150 |
| Electrical protection | Integral earth wire Short-circuit protection device : IEC/EN 60947.5.1 Fuse 6 AgC |
| Approvals | UL 508, UL 50 |

Mechanical characteristics

| | |
|--|--------------------|
| Sequence | |
| Snap action | |
| Minimum operating force (N) | 10 |
| Minimum operating force (Nm) | - |
| Minimum total travel force (N) | 30 |
| Minimum total travel force (Nm) | - |
| Min. positive opening travel (N) | 28 |
| Min. positive opening travel (Nm) | - |
| Mechanical life (millions of operations) | 10 |
| Vertical approach speed | 1 mm/min → 0,5 m/s |
| Horizontal approach speed (30° cam) | 1 mm/min → 0,3 m/s |
| Weight (g) | 200 |

Principles



Function

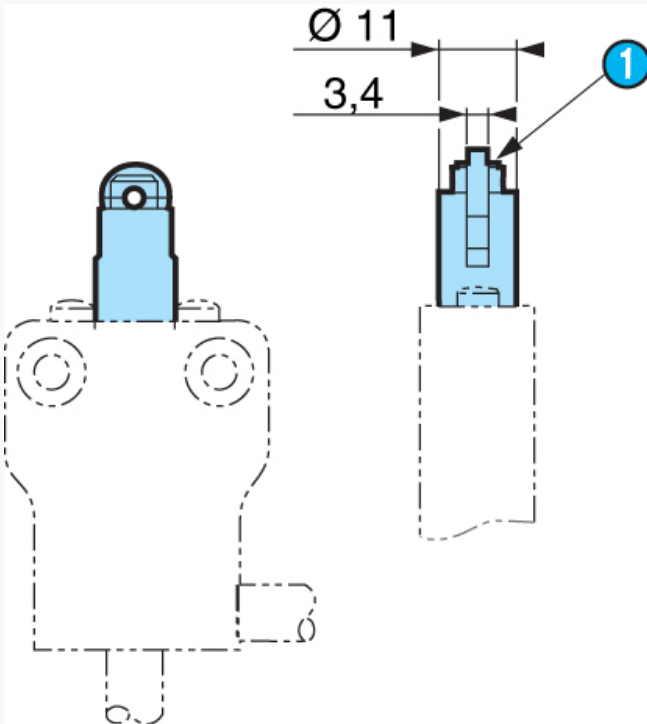
Four-terminal double break two-way contact element (form Zb) with positive opening NC contacts. The 2 moving contacts are electrically isolated from one another.

| N° | Legend |
|----|--------------|
| 1 | Brown |
| 2 | Black |
| 3 | Blue |
| 4 | Green-yellow |

Dimensions (mm)

Product

83 881 1

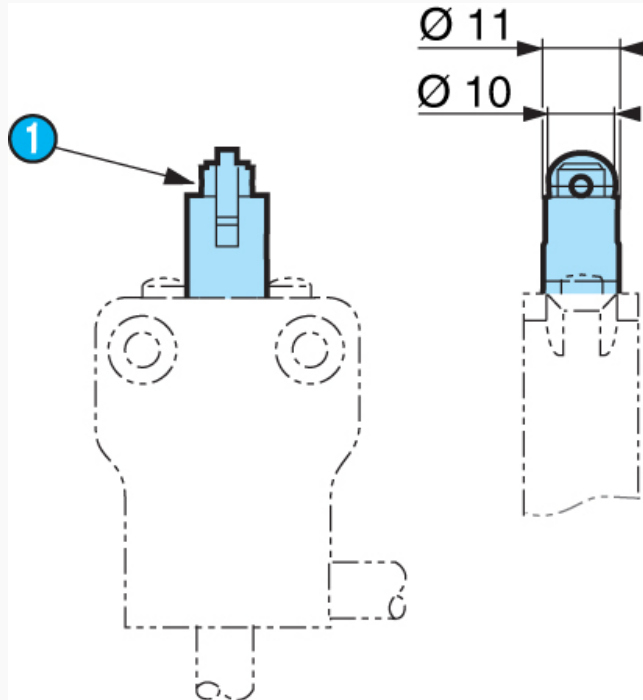


83 881 0

| N° | Legend |
|----|-------------|
| 1 | POP marking |

Dimensions (mm)

83 885 1



83 885 0

| N° | Legend |
|----|-------------|
| 1 | POP marking |

Product adaptations



- Contact type
- Rear output
- Protective scraper seal
- Length of cable/connector/stripping
- Connector output
- Low level contact