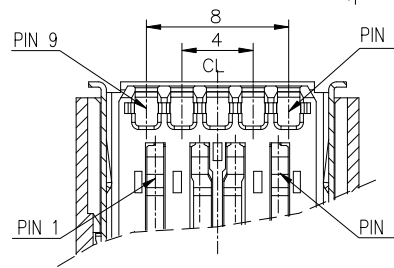
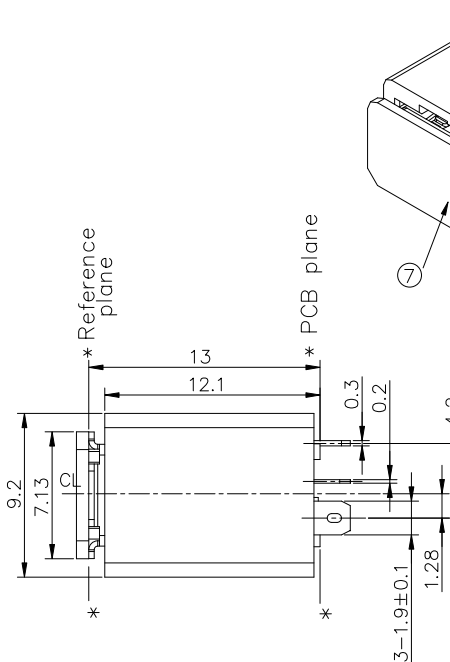
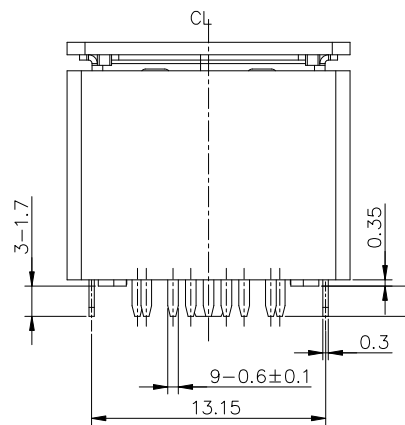
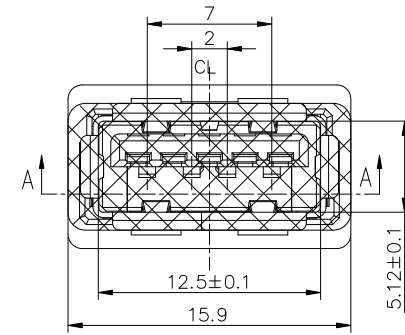
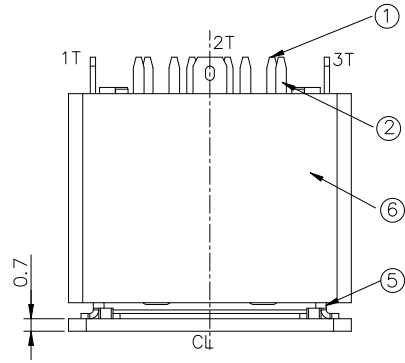
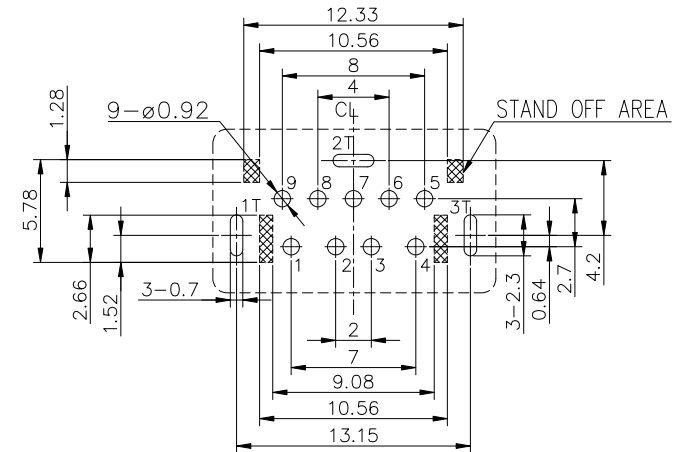
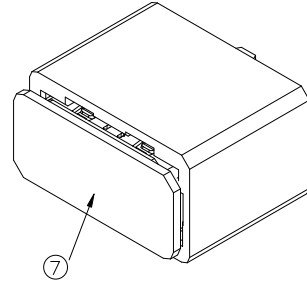


PRODUCT NUMBER
10132431-000XXLF



SECTION A-A
WITHOUT COVER
SCALE 1:1

Pin No.	Signal Name	Pin No.	Signal Name
1	VBUS	5	SSRX-
2	D-	6	SSRX+
3	D+	7	GND
4	GND	8	SSTX-
SHELL	SHIELD	9	SSTX+



RECOMMENDED PCB LAYOUT (TOP VIEW)
GENERAL TOLERANCE±0.05mm (T=1.2/1.6mm)

1. PRODUCT SPECIFICATION: GS-12-1273.
2. PACKAGE SPECIFICATION: GS-14-2423.
3. THE HOUSING WILL WITHSTAND EXPOSURE TO 260°C PEAK TEMP. FOR 5 SECONDS IN A CONVECTION REFLOW OVEN.
4. PART NUMBER:
10131531-000 X X LF
PLATING: 1: G/F ON CONTACT PACKAGE: 1: TAPE & REEL
2: 30u" Au ON CONTACT

NO.	PART NAME	TER'NO.	QTY.	MATERIAL	REMARK
⑦	CAP		1PCS	HIGH TEMP. THERMOPLASTIC, UL94V-0	BLACK
⑥	FRAME		1PCS	HIGH TEMP. THERMOPLASTIC, UL94V-0	BLACK
⑤	SHELL	1T,2T,3T	1PCS	STAINLESS STEEL.	Ni-PLATED
④	5 PIN MOLDING		1PCS	HIGH TEMP. THERMOPLASTIC, UL94V-0	BLUE
③	4 PIN MOLDING		1PCS	HIGH TEMP. THERMOPLASTIC, UL94V-0	BLUE
②	5 PIN CONTACT	5~9	1SET	COPPER ALLOY.	Au/MATTE TIN PLATED
①	4 PIN CONTACT	1~4	1SET	COPPER ALLOY.	Au/MATTE TIN PLATED

mat'l. code	surface	tolerance	projection	product family
		✓		USB 3.0
ltr	ecn no	dr	date	title
A		TAI	2014-11-21	USB 3.0 REC. CONN. TYPE A, V/T THROUGH HOLE
tolerances unless otherwise specified angles $16 < \alpha < 63 \pm 0.4$ $4 < \alpha < 16 \pm 0.3$ $X \pm 5^\circ$ $L \leq 4 \pm 0.2$				scale
dr	KENNY TAI		2014-11-21	dwg no
enr	KENNY TAI		2014-11-21	sheet 1 of 1
chr	KENNY TAI		2014-11-21	size
appd	PM ZHENG		2014-11-21	10132431
				A4
				type
				CUSTOMER Drawing