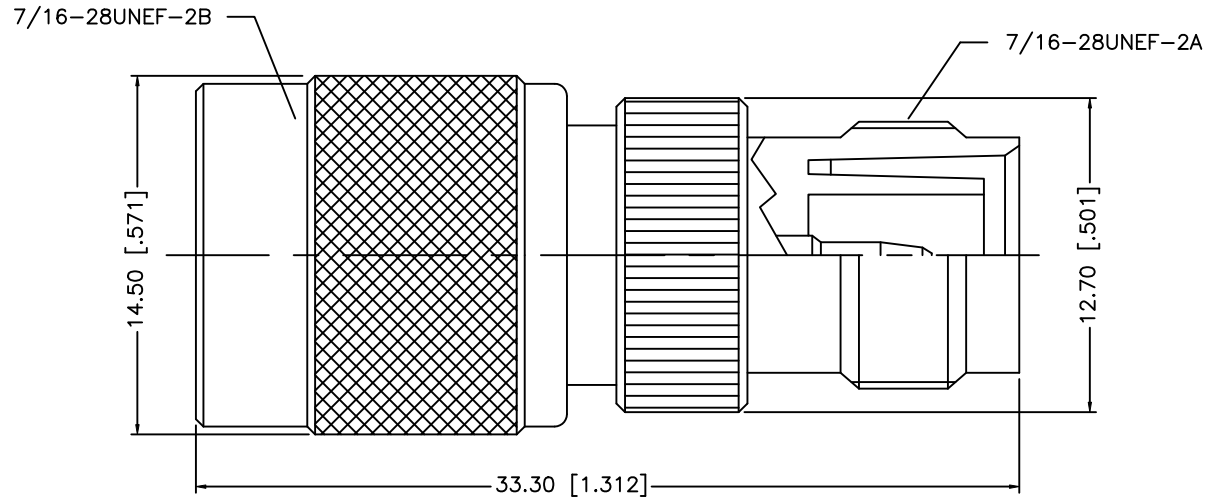


REV.	DATE	ECR NO.	DESCRIPTION
NC	11/10/04	-	INITIAL RELEASE
A	08/09/08	-	REVISE PART DESCRIPTION FROM "PLUG" TO "JACK"



8					<small>UNLESS OTHERWISE SPECIFIED DIMENSIONS ARE IN MILLIMETERS. DIMENSIONS IN [ ] ARE IN INCHES AND FOR CUSTOMER REFERENCE ONLY.</small> <small>UNLESS OTHERWISE SPECIFIED TOLERANCES FOR MILLIMETERS ARE:  0.5 - 8mm ± 0.20mm  8 - 30mm ± 0.40mm  30 - 120mm ± 0.50mm</small> <small>UNLESS OTHERWISE SPECIFIED TOLERANCES FOR INCHES ARE:  .020 - .315 = ± 0.007"  .315 - 1.180 = ± 0.015"  1.180 - 4.724 = ± 0.020"</small>	APPROVALS	DATE	<h1 style="color: blue;">Amphenol Connex</h1>		
7				DRAWN		GRS	08/09/08			
6				CHECKED				<b>PART DESCRIPTION</b> <b>TNC PLUG TO TNC REVERSE POLARITY JACK ADAPTER</b>		
5				ISSUED						
4				SHEET		1 OF 1				
3	CONTACT PIN	PHOS. BRONZE	GOLD	1	<b>DWG. NO.</b> 122498RP-10.DWG					
2	INSULATOR	PTFE	NATURAL	1				<b>REV.</b> A <b>SIZE</b> A <b>SCALE</b> NA		
1	BODY	BRASS	NICKEL	1						
	DESCRIPTION	MATERIAL	FINISH	QTY	DO NOT SCALE DRAWING		C:/122/122498RP-10.DWG			