

REVISIONS			
LTR	DESCRIPTION	DATE	APPROVED
K1	REVISED PER ECO-11-005139	29MAR2011	HMR
L	ADDED PAGE 3 PER ECO-17-014556	04OCT2017	I.M.

DK-621-14XX-XX CONNECTORS ARE NOT AVAILABLE FOR NEW ORDERS. ORDER EQUIVALENT DK-621-04XX-XX CONNECTOR.


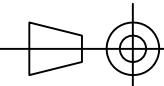
PART NUMBER	CONNECTOR	CONTACT	CONNECTOR INTERFACE	COLOR CODE
DK-621-0433	PLUG	_____	A	RED
DK-621-0433-1P	PLUG	PIN	A	RED
DK-621-0433-1UP	PLUG	PIN	A	RED
DK-621-0433-1S	PLUG	SOCKET	A	RED
DK-621-0433-1US	PLUG	SOCKET	A	RED
DK-621-0434	JACK	_____	A	RED
DK-621-0434-1P	JACK	PIN	A	RED
DK-621-0434-1UP	JACK	PIN	A	RED
DK-621-0434-1S	JACK	SOCKET	A	RED
DK-621-0434-1US	JACK	SOCKET	A	RED
DK-621-0435	PLUG	_____	B	WHITE
DK-621-0435-2P	PLUG	PIN	B	WHITE
DK-621-0435-2UP	PLUG	PIN	B	WHITE
DK-621-0435-2S	PLUG	SOCKET	B	WHITE
DK-621-0435-2US	PLUG	SOCKET	B	WHITE
DK-621-0436	JACK	_____	B	WHITE
DK-621-0436-2P	JACK	PIN	B	WHITE
DK-621-0436-2UP	JACK	PIN	B	WHITE
DK-621-0436-2S	JACK	SOCKET	B	WHITE
DK-621-0436-2US	JACK	SOCKET	B	WHITE
DK-621-0437	PLUG	_____	C	GREEN
DK-621-0437-3P	PLUG	PIN	C	GREEN
DK-621-0437-3UP	PLUG	PIN	C	GREEN
DK-621-0437-3S	PLUG	SOCKET	C	GREEN
DK-621-0437-3US	PLUG	SOCKET	C	GREEN
DK-621-0438	JACK	_____	C	GREEN
DK-621-0438-3P	JACK	PIN	C	GREEN
DK-621-0438-3UP	JACK	PIN	C	GREEN
DK-621-0438-3S	JACK	SOCKET	C	GREEN
DK-621-0438-3US	JACK	SOCKET	C	GREEN
DK-621-0439	PLUG	_____	D	N/A
DK-621-0439-4P	PLUG	PIN	D	N/A
DK-621-0439-4UP	PLUG	PIN	D	N/A
DK-621-0439-4S	PLUG	SOCKET	D	N/A
DK-621-0439-4US	PLUG	SOCKET	D	N/A
DK-621-0440	JACK	_____	D	N/A
DK-621-0440-4P	JACK	PIN	D	N/A
DK-621-0440-4UP	JACK	PIN	D	N/A
DK-621-0440-4S	JACK	SOCKET	D	N/A
DK-621-0440-4US	JACK	SOCKET	D	N/A

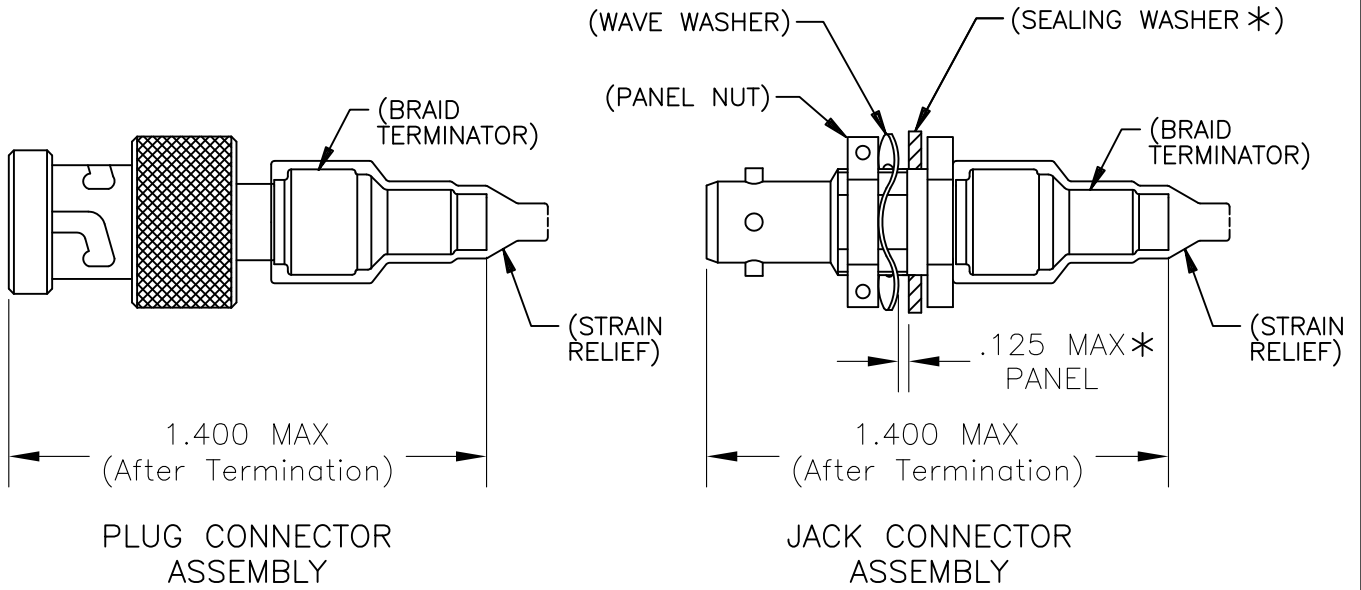
PART NUMBER	CONNECTOR	CONTACT	CONNECTOR INTERFACE	COLOR CODE
DK-621-1433	PLUG	_____	A	RED
DK-621-1433-1P	PLUG	PIN	A	RED
DK-621-1433-1S	PLUG	SOCKET	A	RED
DK-621-1434	JACK	_____	A	RED
DK-621-1434-1P	JACK	PIN	A	RED
DK-621-1434-1S	JACK	SOCKET	A	RED
DK-621-1435	PLUG	_____	B	WHITE
DK-621-1435-2P	PLUG	PIN	B	WHITE
DK-621-1435-2S	PLUG	SOCKET	B	WHITE
DK-621-1436	JACK	_____	B	WHITE
DK-621-1436-2P	JACK	PIN	B	WHITE
DK-621-1436-2S	JACK	SOCKET	B	WHITE
DK-621-1437	PLUG	_____	C	GREEN
DK-621-1437-3P	PLUG	PIN	C	GREEN
DK-621-1437-3S	PLUG	SOCKET	C	GREEN
DK-621-1438	JACK	_____	C	GREEN
DK-621-1438-3P	JACK	PIN	C	GREEN
DK-621-1438-3S	JACK	SOCKET	C	GREEN
DK-621-1439	PLUG	_____	D	N/A
DK-621-1439-4P	PLUG	PIN	D	N/A
DK-621-1439-4S	PLUG	SOCKET	D	N/A
DK-621-1440	JACK	_____	D	N/A
DK-621-1440-4P	JACK	PIN	D	N/A
DK-621-1440-4S	JACK	SOCKET	D	N/A

IF THIS DOCUMENT IS PRINTED IT BECOMES UNCONTROLLED. CHECK FOR THE LATEST REVISION.

© 2009-2017 TE Connectivity Corporation. All Rights Reserved.

Raychem Databus CUSTOMER DRAWING

UNLESS OTHERWISE SPECIFIED DIMENSIONS ARE IN INCHES AND METRIC DIMENSIONS ARE IN BRACKETS. DECIMALS .XXX ± --- [---mm] .XX ± --- [---mm] ANGLES .X ± --- WEIGHT ---lbs [---g]	DRAWN J.B.K. 1992Mar03 CHECKED G.Rositano 2009Mar12 APPROVED Z.TEMAN 1992Mar03	 TE Connectivity TITLE KITS FOR DK-621-0433/0440 TRIAXIAL CONNECTORS SIZE A CODE IDENT. NO. 06090 DWG. NO. DK-621-X433/X440-XX DO NOT SCALE THIS DRAWING SHEET 1 OF 3
	CAD NAME DK621-X433-X440_CD_Ka	
	THIRD ANGLE PROJECTION 	



NOTES:

1.0 REFER TO THE FOLLOWING TE CONNECTIVITY CUSTOMER DRAWINGS (CD) FOR INDIVIDUAL COMPONENT DETAILS:

- | | |
|-----------------|--------------------------------------|
| D-621-0433/0440 | CONNECTOR, TRIAXIAL, BAYONET COUPLED |
| D-602-0126 | CONTACT, PIN, TWISTED PAIR |
| D-602-0127 | CONTACT, SOCKET, TWISTED PAIR |
| (D-600-0030) | BRAID TERMINATOR |
| (D-600-0019) | STRAIN RELIEF |
| (D-600-0053) | SEALING WASHER (JACK ONLY) |
- * SEALING WASHER MAY BE INSTALLED IF THE PANEL THICKNESS IS LESS THAN 0.093 INCH.

2.0 CONNECTORS ARE QUALIFIED TO RAYCHEM SPECIFICATION D-6025.

3.0 TERMINATION PROCEDURE: RAYCHEM ES 61162.

IF THIS DOCUMENT IS PRINTED IT BECOMES UNCONTROLLED. CHECK FOR THE LATEST REVISION.

Raychem Databus CUSTOMER DRAWING					
DRAWN J.B.K.	DATE 91Apr2003	SIZE A	CAGE CODE 06090	DWG. NO. DK-621-X433/X440-XX	REV L
CAD FILE DK621-X433-X440_CD_Kb			DO NOT SCALE THIS DRAWING		SHEET 2 OF 3

Bayonet Style D-621 Connector Kit Part Numbering

DK-621 - 04 33 - 1 U P

CONTACT

P: Pin
S: Socket
Omit if contact is not required

UNMARKED STRAIN RELIEF TUBING

Omit if Air Force part number marking is required
Omit if contact is not required

KEYING POLARIZATION

1: A Keying
2: B Keying
3: C Keying
4: D Keying
Omit if contact is not required

-: Part number separator
Omit if contact is not required

BASIC CONNECTOR CONFIGURATION


33: Plug, A Keying
34: Jack, A Keying
35: Plug, B Keying
36: Jack, B Keying
37: Plug, C Keying
38: Jack, C Keying
39: Plug, D Keying
40: Jack, D Keying

SERIES

-: Part number separator

D-621 CONNECTOR, KITTED WITH ACCESSORIES

IF THIS DOCUMENT IS PRINTED IT BECOMES UNCONTROLLED. CHECK FOR THE LATEST REVISION.

Raychem Databus CUSTOMER DRAWING					 TE Connectivity	
DRAWN G.M.R.	DATE 03Oct2017	SIZE A	CAGE CODE 06090	DWG. NO. DK-621-X433/X440-XX	REV L	
CAD FILE DK621-X433-X440_CD_Kb			DO NOT SCALE THIS DRAWING		SHEET 3 OF 3	