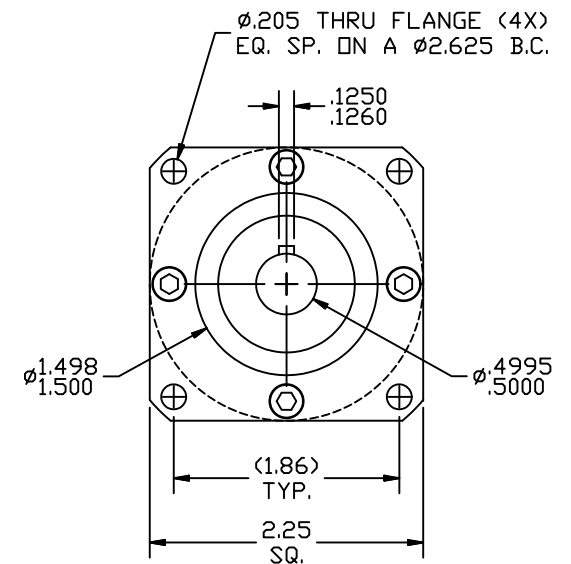
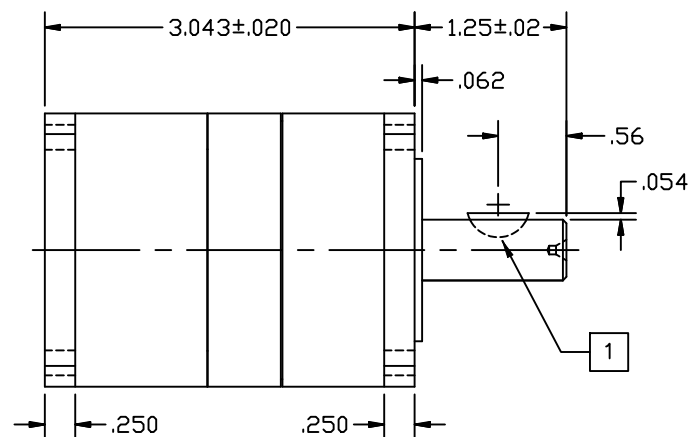
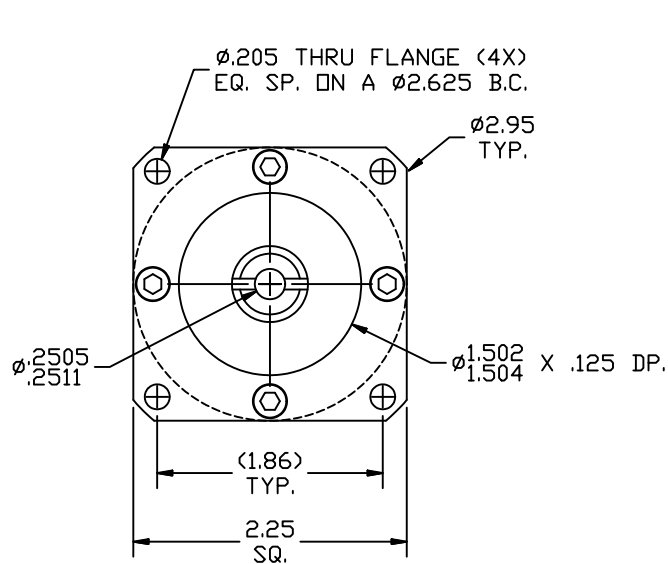


| REVISIONS | | | |
|-----------|--------------------------|---------|----------|
| REV | DESCRIPTION | DATE | APPROVED |
| A | INITIAL RELEASE ECO 6709 | 2/22/13 | J Kordik |
| | | | |
| | | | |



NOTES: UNLESS OTHERWISE SPECIFIED

- 1 #404 WOODRUFF KEY.
2. 23PN010 RATIO- 10:1
3. FOR TECHNICAL DETAILS, CONTACT APPLIED MOTION PRODUCTS.

| TOLERANCES | THIRD ANGLE PROJECTION | APPLIED MOTION PRODUCTS, INC. | | | | | | | | | | | |
|---|---|---|--------------|-----------|------|--------------------------|---------|---------|--|----------|--|---|---|
| DECIMALS: [MM] INCH X.XXX = $\pm .005$ X.XX = $\pm [0.13].010$ X.X = $\pm [0.25].020$ ANGLES: MACH. = $\pm 5^\circ$ CHAM. = $\pm 5^\circ$ | | OUTLINE, GEAR HEAD, PN23, 1 STAGE | | | | | | | | | | | |
| COMPUTER DATA BASE DRAWING | <table border="1"> <tr> <td>APPROVALS</td> <td>DATE</td> </tr> <tr> <td>DRAWN <i>R. JONEZ</i></td> <td>2/22/13</td> </tr> <tr> <td>CHECKED</td> <td></td> </tr> <tr> <td>APPROVED</td> <td></td> </tr> </table> | | | APPROVALS | DATE | DRAWN <i>R. JONEZ</i> | 2/22/13 | CHECKED | | APPROVED | | <table border="1"> <tr> <td>B</td> <td>DWG NO. 23PN010</td> <td>REV A</td> </tr> </table> | B |
| APPROVALS | DATE | | | | | | | | | | | | |
| DRAWN <i>R. JONEZ</i> | 2/22/13 | | | | | | | | | | | | |
| CHECKED | | | | | | | | | | | | | |
| APPROVED | | | | | | | | | | | | | |
| B | DWG NO. 23PN010 | REV A | | | | | | | | | | | |
| | | SCALE: FULL | SHEET 1 OF 1 | | | | | | | | | | |