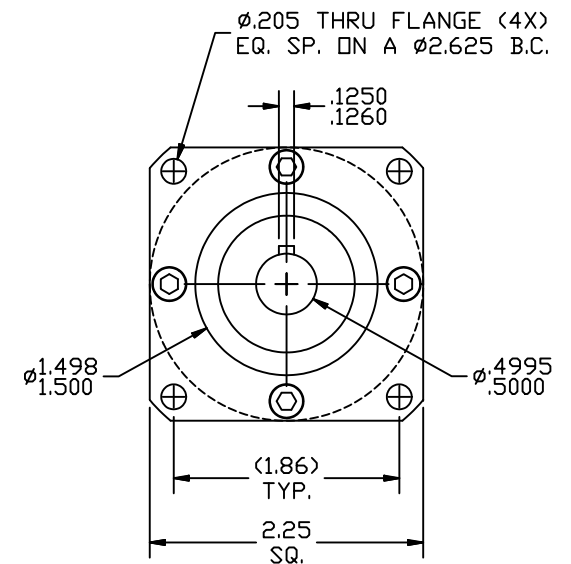
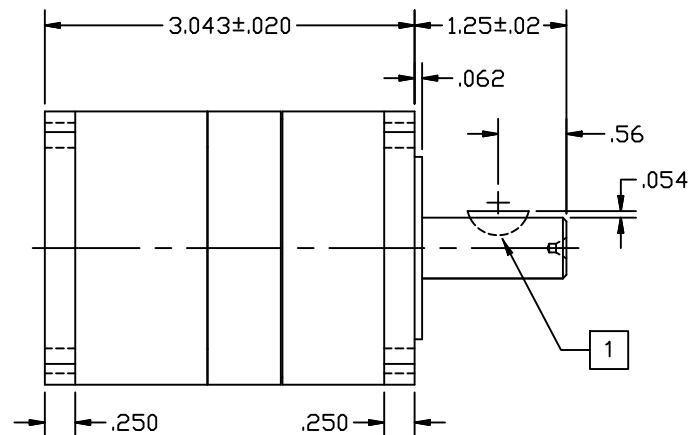
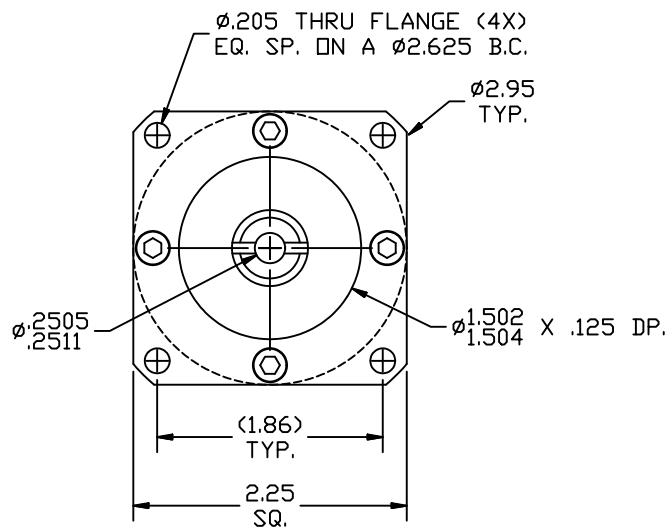


REVISIONS			
REV	DESCRIPTION	DATE	APPROVED
A	INITIAL RELEASE ECO 6709	2/22/13	J Kordik



NOTES: UNLESS OTHERWISE SPECIFIED

- 1 #404 WOODRUFF KEY.
2. 23PN010 RATIO- 10:1
3. FOR TECHNICAL DETAILS, CONTACT APPLIED MOTION PRODUCTS.

TOLERANCES	THIRD ANGLE PROJECTION		APPLIED MOTION PRODUCTS, INC.	
DECIMALS: [MM] INCH X.XXX = $\pm .005$ X.XX = $\pm [0.13].010$ X.X = $\pm [0.25].020$ ANGLES: MACH. = $\pm 5^\circ$ CHAM. = $\pm 5^\circ$			 OUTLINE, GEAR HEAD, PN23, 1 STAGE	
COMPUTER DATA BASE DRAWING	APPROVALS	DATE		
	DRAWN <i>R.JONEZ</i>	<i>2/22/13</i>	DWG NO.	
	CHECKED		23PN010	
	APPROVED		SCALE: FULL	SHEET 1 OF 1