

## Extended/Direct Handle Motor Disconnect Switch

The KU...N series can be used with extended and direct handles (see page 6-11 for details).



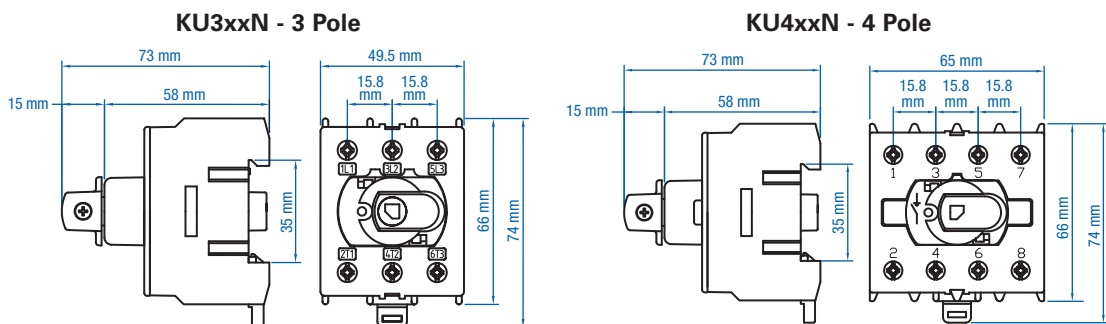
Catalog Number	KU316N	KU325N	KU340N	KU363N	KU380N
No. of Poles	3 (4 pole - KU416N)	3 (4 pole - KU425N)	3 (4 pole - KU440N)	3 (4 pole - KU463N)	3 (4 pole - KU480N)
General Purpose Current	16 A	25 A	40 A	60 A	80 A
Maximum Voltage	600V AC	600V AC	600V AC	600V AC	600V AC
Motor FLA @ 480V AC	14 A	21 A	27 A	34 A	40 A
Motor FLA @ 600V AC	9 A	11 A	17 A	27 A	32 A

Horsepower Rating/HP	1 Phase		3 Phase		1 Phase		3 Phase		1 Phase		3 Phase	
	110-120V AC	1	2	1.5	3	2	3	3	5	5	7.5	10
200V AC	1.5	3	2	5	3	7.5	5	10	7.5	10	15	20
208V AC	1.5	3	2	5	3	7.5	5	10	7.5	10	15	20
220-240V AC	2	3	3	5	5	7.5	7.5	10	10	15	20	25
265V AC	—	5	—	7.5	—	10	—	10	—	15	—	20
277V AC	—	5	—	7.5	—	10	—	10	—	15	—	20
380-415V AC	—	7.5	—	10	—	15	—	20	—	25	—	30
440-480V AC	—	10	—	15	—	20	—	25	—	30	—	35
550-600V AC	—	7.5	—	10	—	15	—	25	—	30	—	35

Short Circuit Withstand Rating at 600 V with Max. Fuse Size/Class:	10 kA	10 kA	10 kA	10 kA	10 kA
K5	30 A	30 A	30 A	30 A	30 A
RK5	30 A	30 A	30 A	30 A	30 A
RK1	60 A	60 A	60 A	60 A	60 A
J	80 A	80 A	80 A	100 A	100 A

Terminal Size Acceptability	14-8 AWG	14-8 AWG	14-8 AWG	12-4 AWG	12-4 AWG
(Cu Conductors only, 75 °C)					
Terminal Torque	16 lb. in. (1.8 Nm)	16 lb. in. (1.8 Nm)	16 lb. in. (1.8 Nm)	16 lb. in. (1.8 Nm)	16 lb. in. (1.8 Nm)
Screw Head Type	No. 2 Pozidrive	No. 2 Pozidrive	No. 2 Pozidrive	No. 2 Pozidrive	No. 2 Pozidrive

**Dimensions**  
(to convert to inches multiply by 0.03937)



Weight	0.172 kg (0.379 lb.) (3 pole)	0.172 kg (0.379 lb.) (3 pole)	0.172 kg (0.379 lb.) (3 pole)	0.200 kg (0.441 lb.) (3 pole)	0.200 kg (0.441 lb.) (3 pole)
	0.215 kg (0.474 lb.) (4 pole)	0.215 kg (0.474 lb.) (4 pole)	0.215 kg (0.474 lb.) (4 pole)	0.245 kg (0.540 lb.) (4 pole)	0.245 kg (0.540 lb.) (4 pole)

### Suitable Accessories

**Extended Handle Applications (Door Interlock Mechanism)**

Shaft	L(1,2,3)00AD11-ST	L(1,2,3)00AD11-ST	L(1,2,3)00AD11-ST	L(1,2,3)00AD11-ST	L(1,2,3)00AD11-ST
Handles	LK10 (Y/R) UL, LK11 (Y/R) U	LK10 (Y/R) UL, LK11 (Y/R) U	LK10 (Y/R) UL, LK11 (Y/R) U	LK10 (Y/R) UL, LK11 (Y/R) U	LK10 (Y/R) UL, LK11 (Y/R) U
Auxiliary Switch	KU1.V, KU2.V	KU1.V, KU2.V	KU1.V, KU2.V	KU1.V, KU2.V	KU1.V, KU2.V
Fuse Holder	—	—	KV 10x38, KV 10x38 CC	—	—

### Direct Handle Applications

Handle for 3 Pole	K/KU3P (Y/R)	K/KU3P (Y/R)	K/KU3P (Y/R)	K/KU3P (Y/R)	K/KU3P (Y/R)
Handle for 4 Pole	K/KU4P (Y/R)	K/KU4P (Y/R)	K/KU4P (Y/R)	K/KU4P (Y/R)	K/KU4P (Y/R)
Door Mounting Kits	OKA/KU LK10 x; OKA x	OKA/KU LK10 x; OKA x	OKA/KU LK10 x; OKA x	OKA/KU LK10 x; OKA x	OKA/KU LK10 x; OKA x