

THIS DRAWING IS UNPUBLISHED.

RELEASED FOR PUBLICATION

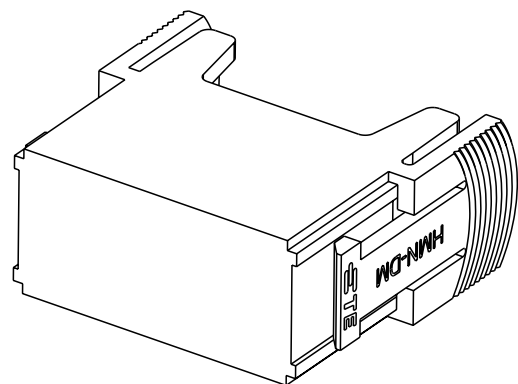
20

© COPYRIGHT 20 BY -

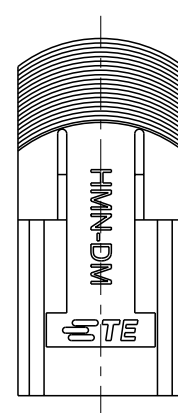
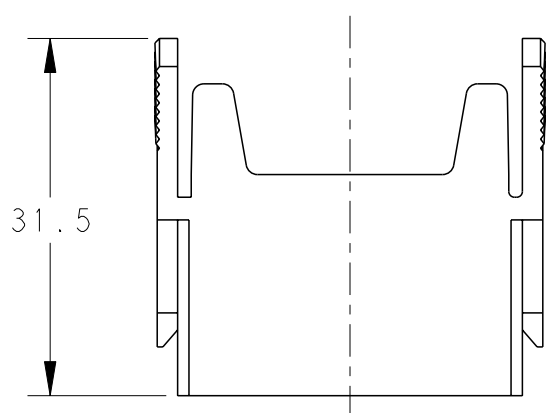
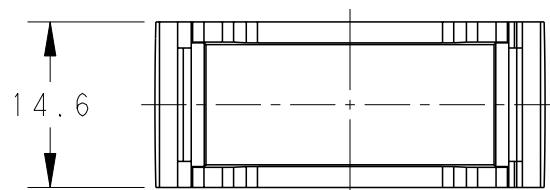
ALL RIGHTS RESERVED.

REVISIONS

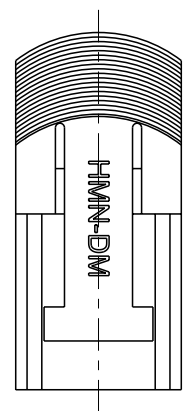
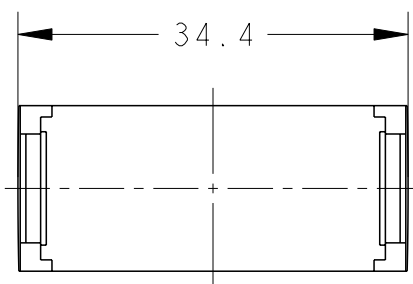
| P | LTR | DESCRIPTION | DATE | DWN | APVD |
|---|-----|---------------|-----------|-----|------|
| | A | INITIAL | 20APR2015 | DW | CW |
| | A1 | ECR-16-000089 | 05JAN2016 | DW | CW |
| | | | | | |
| | | | | | |



T3110009902-000 SHOWN
带TE LOGO



T3110009902-000 SHOWN
带TE LOGO



T3110009902-001 SHOWN, ALL
DIMENSIONS ARE SAME AS
T3110009902-000, EXCEPT
WITHOUT LOGO
不带 LOGO

NOTES:

- 1. TECHNICAL CHARACTERISTICS:
INSULATION MATERIAL: PC
OPERATION TEMPERATURE: -40°C~+125°C
BLIND MODULE

注释:

- 1. 技术参数:
绝缘材料: PC
工作温度: -40°C~+125°C
空白模块

| T3110009902-001 | HMN-DM WITHOUT LOGO |
|-----------------|---------------------|
| T3110009902-000 | HMN-DM WITH LOGO |
| PART NUMBER | DESCRIPTION |

THIS DRAWING IS A CONTROLLED DOCUMENT.

| | |
|-------------------|--|
| DIMENSIONS: mm | TOLERANCES UNLESS OTHERWISE SPECIFIED: |
| | 0 PLC ±- |
| | 1 PLC ±- |
| | 2 PLC ±- |
| | 3 PLC ±- |
| | 4 PLC ±- |
| | ANGLES ±- |
| MATERIAL | FINISH |
| - | - |
| - | - |

| | |
|------------------|-----------|
| DWN | 20APR2015 |
| David Wang | |
| CHK | 20APR2015 |
| Chris Wang | |
| APVD | 20APR2015 |
| Xiang Xu | |
| PRODUCT SPEC | - |
| APPLICATION SPEC | - |
| WEIGHT | - |
| Customer Drawing | |

TE TE Connectivity

NAME: HMN-DM

| | | | |
|------|-----------|------------------|---------------|
| SIZE | CAGE CODE | DRAWING NO | RESTRICTED TO |
| A3 | 00779 | ©-T3110009902000 | - |

SCALE: 3:2 SHEET: 1 OF 1 REV: A1