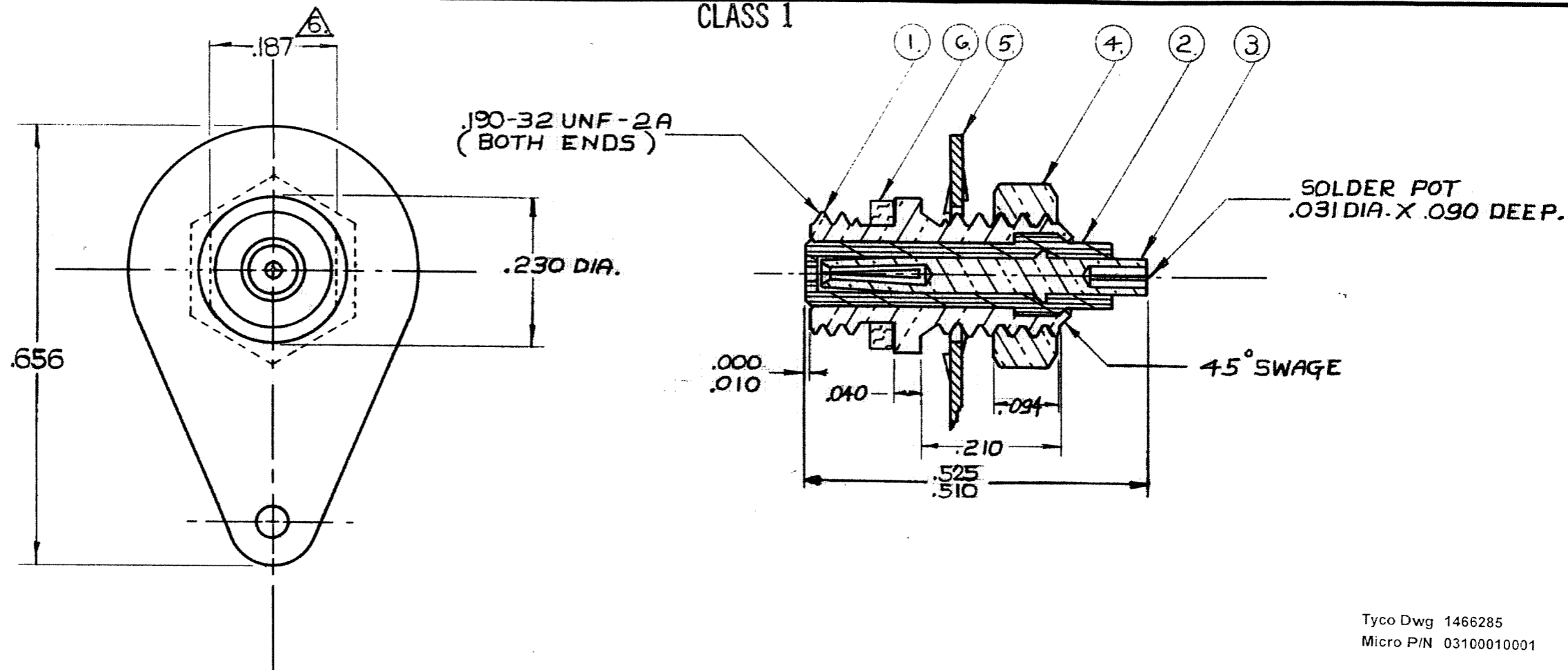


CLASS 1



Tyco Dwg 1466285
Micro P/N 03100010001

QTY.	PART NO.	NOMENCLATURE	MAT. & SPEC.	FINISH	ITEM
1	003-0268-0000	GASKET	SILICONE RUBBER		⑥
1	003-0306-0001	SHAKPROOF LUG	#425 BRONZE ALLOY	④	⑤
1	003-0009-0001	HEX NUT	BRASS, QQ-B-626	④	④
1	003-1378-0002	SOCKET CONTACT	COPPER ALLOY	⑤	③
1	003-1379-0001	INSULATOR	TEFLON, L-P-403		②
1	003-1390-0001	HOUSING	BRASS, QQ-B-626	④	①

- ⑥ WRENCH FLAT .
- ⑤ GOLD PLATE PER MIL-G-45204, TYPE II, CLASS I .
- ④ SILVER PLATE .0002-.0004 PER QQ-S-365, TYPE II, GRADE A .
- 3. INSULATION RESISTANCE 5.0×10^3 MEGOHMS MIN.
- 2. WORKING VOLTAGE - 750 VOLTS RMS .
- 1. THIS RECEPTACLE MATES WITH ALL PLUGS IN SERIES S-50 AS LISTED IN MALCO CATALOG .

NOTES: UNLESS OTHERWISE SPECIFIED

STANDARD TOLERANCES UNLESS OTHERWISE SPECIFIED DEC. \pm .010 FRAC. \pm _____ ANGLES \pm _____ ECCENTRICITY _____ MAX. T.I.R. _____ HOLE DIA. \pm _____ SURFACE ROUGHNESS _____ MICRO INCHES _____ THREADS TO MIL-S-7742 COMMERCIAL TOLERANCES APPLY TO STOCK DIMENSIONS		MALCO A MICRODOT COMPANY, INC. 220 PASADENA AVE., SO. PASADENA, CAL	
SURFACE TREATMENT NOTED		MATERIAL NOTED	
APP <i>[Signature]</i> APP G.P.F. CHECKED BY _____ DRAWN BY E.S.(J.N.) SCALE 5X DATE 12/4/53		PROD CODE 931 CODE C.D.M. 031-0001-0001 U	
U UPDATE REV. LETTER. (35388) TL 7/30/53 T 28910 ITEM 5 MAT'L WAS: PHOSPHOR BRONZE, QQ-P-330; ITEM 2 MAT'L WAS: TEFLON, MIL-M-14077; UPDATE OTHER INFO (LM) 8/1/53 S 6080 REV. LETTER UP-DATED 5/17/53 R 700 REDESIGNED & REDRAWN J.N. 7/12/53 LET ECO REVISION DESCRIPTION BY DATE APP		BULKHEAD RECEPTACLE 50-2	