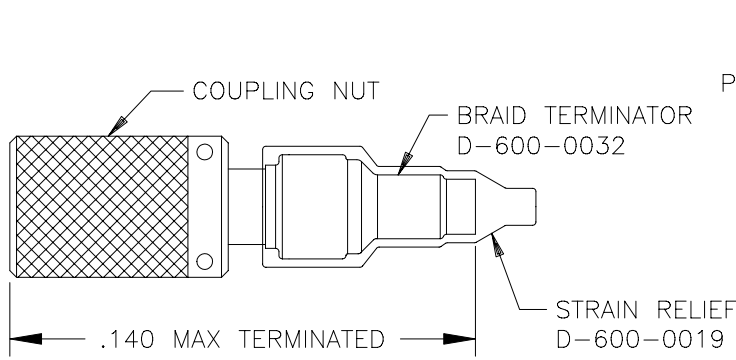
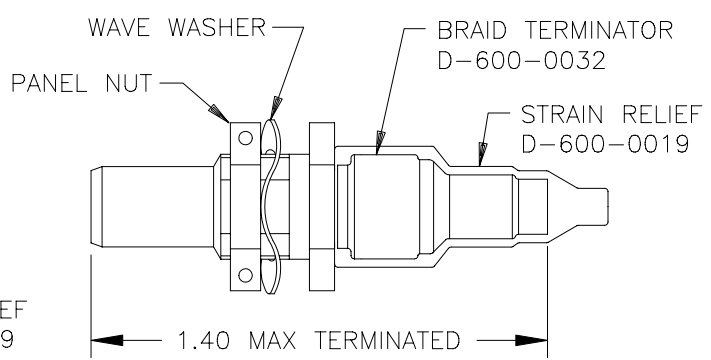




REVISIONS			
LTR	DESCRIPTION	DATE	APPROVED
NC	RELEASED PER ECN# T-21210	1/15/97	Z. TEMAN



PLUG ASSEMBLY: D-621-0011



JACK ASSEMBLY: D-621-0012

TABULATION TABLE			
KIT	PCN NO.	CONNECTOR	CONTACT, TWINAXIAL
DK-621-0011-P	363549	PLUG	PIN
DK-621-0011-S	018591	PLUG	SOCKET
DK-621-0012-P	971913	JACK	PIN
DK-621-0012-S	639215	JACK	SOCKET

NOTES:

- 1.0 REFER TO THE RAYCHEM SPECIFICATION CONTROL DRAWING D-621-0011/0012 FOR INDIVIDUAL COMPONENT DETAILS.
- 2.0 CONNECTORS ARE QUALIFIED TO RAYCHEM SPECIFICATION D-6025.
- 3.0 TERMINATION PROCEDURE: RAYCHEM ES 61162.

SPECIFICATION CONTROL DRAWING

If this document is printed it becomes uncontrolled. Check with the web for latest revision.

UNLESS OTHERWISE SPECIFIED DIMENSIONS ARE IN INCHES. METRIC DIMENSIONS ARE IN BRACKETS.  DECIMALS .XXX ± — [ — mm] .XX ± — [ — mm] ANGLES .X ± —  WEIGHT — lbs [ — g]	DRAWN Z.E.T. 1/13/97		RAYCHEM CORPORATION 300 CONSTITUTION DRIVE MENLO PARK, CALIFORNIA 94025		
	REDRAWN				
	APPROVED				
	APPROVED P.DUTTON 1/14/97 CAD NAME T21210				
THIRD ANGLE PROJECTION	SIZE A	CODE IDENT. NO. 06090	DWG. NO. DK-621-0011/0012-X	REV NC	
DO NOT SCALE THIS DRAWING			SHEET 1 OF 1		

