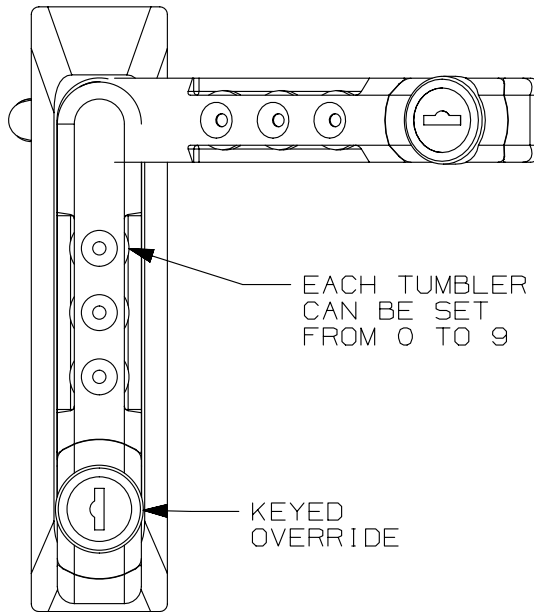
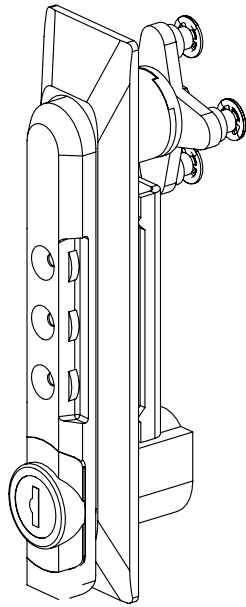


THIS COPY IS PROVIDED ON A RESTRICTED BASIS AND IS NOT TO BE USED IN ANY WAY DETRIMENTAL TO THE INTERESTS OF PANDUIT CORP.



PANDUIT P/N	WEIGHT
CCL3	1.0 LBS/EACH .45 Kg/EACH

NOTES:

- VISIT OUR ON-LINE CATALOG AT [WWW.PANDUIT.COM](http://WWW.PANDUIT.COM) FOR A LIST OF CURRENT PARTS APPLICABLE FOR USE WITH THIS PRODUCT.
- PARTS SUPPLIED:
  - 1 - SWING HANDLE
  - 1 - CAM SCREW
  - 1 - 90° HANDLE STOP DISC
  - 1 - SUPPORT
  - 2 - SUPPORT SCREWS
  - 2 - KEYS (KEYED ALIKE)
- COMBINATION LOCK WILL WORK WITH:
  - NET ACCESS:
  - SINGLE HINGE DOOR - N & S TYPE
  - SPLIT DOORS - N & S TYPE
  - SOLID SINGLE HINGE DOOR - N & S TYPE

DOOR HANDLE SHOWN OPEN  
(KEYS NOT SHOWN)  
ROTATION COUNTERCLOCKWISE TO OPEN  
ROTATION IS REVERSIBLE

										MODEL FILENAME		12V279WA/03.PRT	
										CAD FILENAME/LAYERS		12V279WA_DC/03A.PRT	
										<h1>PANDUIT</h1> CORP. TINLEY PARK, ILLINOIS			
										SWINGHANDLE WITH 3 DIGIT COMBINATION LOCK (CCL3) CUSTOMER DRAWING			
										UNLESS OTHERWISE SPECIFIED, DIMENSIONAL TOLERANCES ARE:		UNLESS OTHERWISE SPECIFIED,	
										INCHES		[METRIC - MILLIMETER] ANGLE	
										X.X +/- 0.06		X. +/- 1.5	
										X.XX +/- 0.03		X.X +/- 0.8	
										X.XXX +/- 0.015		X.XX +/- 0.4	
										ALL DIMENSIONS ARE GIVEN		IN INCHES, THIRD ANGLE PROJECTION.	
										DRAWN BY		SCALE	
										PBS		1:2	
										DATE		DRAWING NO.	
										7-08-13		12V279WA-DC	
										CHK'D		SHT 1 OF 1	
										RCHA		A	
										SIZE			
O3A	7-08-13	PBS	RCHA	RELEASED TO PRODUCTION	12V279WA-DC	JDWE							
REV	DATE	BY	CHK	DESCRIPTION	ECN	R	CUST	SUP	OTH				