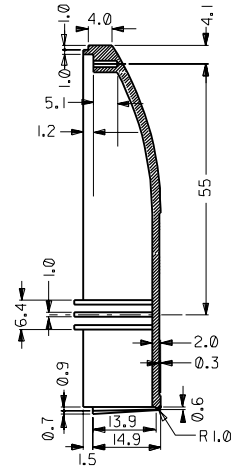
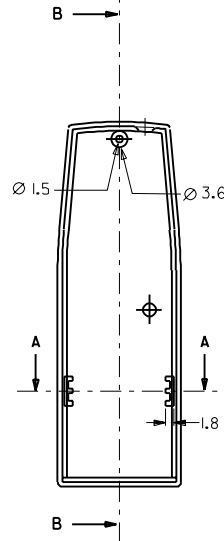
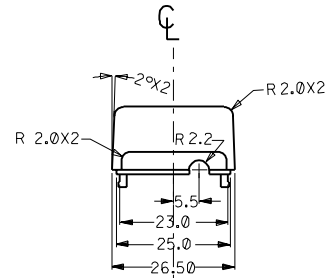
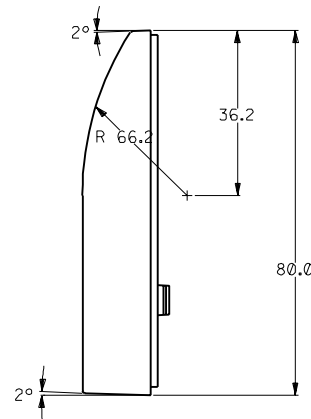


SEC: A-A



SEC: B-B

TOLERANCE : ± 0.1
 COLOR : BALCK

				MATERIAL : ABS,UL94V-0		MOLEX TAIWAN LTD.	
D	REV.PER ECN TA95-157	JWU	950516	FINISH :		SHEET 1 OF 1	
C	REV.PER ECN TA94-242	SAM	941215	WIRE RANGE :		GENERAL TOLERANCES	
B	REV.PER ECN TA94-009	EWA	940119	INS. RANGE :		ANGLE : $\pm 3^\circ$ DIM : $\pm .25/0.10$	
A	REV.PER ECN TA93-233	EWA	931104			ENG. NO.:	
2	REV. PER ECN TA93-016	JYC	930202			SDE-89500-0023	
1	NEW RELEASE					REV D	
	PER ECN TA93-012	JYC	930120	DRAWN BY JYC		TITLE :	
LTR	REVISION RECORD	ECN	DR	DATE	930120	CHK'D BY	PCMCIA TYPE II MEMORY CARD, FRAME KIT. (UP-LID)
REVISE ONLY ON CAD SYSTEM				APPR'D BY	SCALE	1 : 1	