

DATA CONTAINED IN THIS DOCUMENT IS PROPRIETARY TO TROMPETER ELECTRONICS INC. AND SHALL NOT BE DISCLOSED, COPIED OR USED FOR PROCUREMENT OR MANUFACTURE WITHOUT EXPRESS WRITTEN PERMISSION OF TROMPETER ELECTRONICS INC.

REVISIONS

102-0006 SH 1

REV	DESCRIPTION	DATE	APPROVED
AC	REVISED PER ECD 15106	7/1/03	WJ

TABLE 1

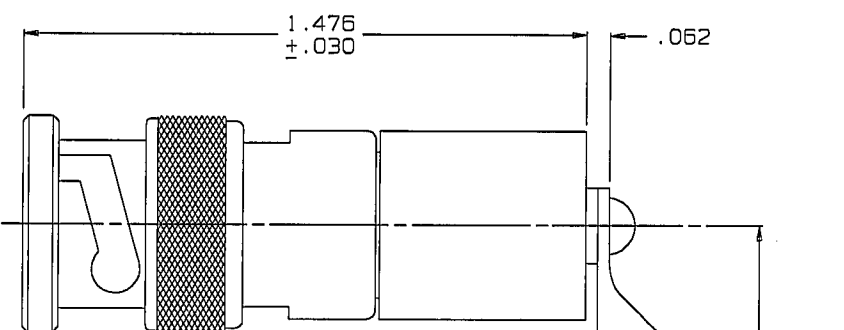
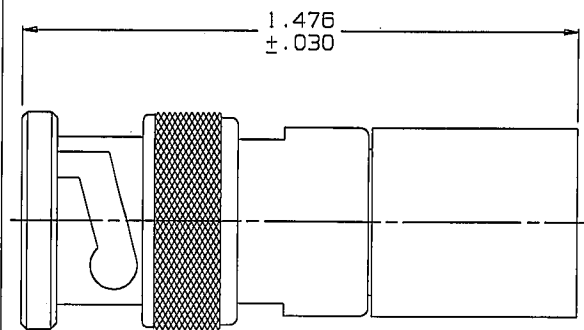
DASH NO	DESCRIPTION
-1	TERM (NO CHAIN)
-2	TERM WITH 2.5 BRASS CHAIN
-3	TERM WITH 2.5 NYLON CHAIN
-4	TERM WITH 3.0 BRASS CHAIN
-5	TERM WITH 3.0 NYLON CHAIN
-6	TERM WITH 6.0 BRASS CHAIN
-7	TERM WITH 6.0 NYLON CHAIN
-8	TERM WITH 4.0 BRASS CHAIN
-9	TERM WITH 4.0 NYLON CHAIN

DASH NO	DESCRIPTION
-10	TERM WITH 10.0 BRASS CHAIN
-11	TERM WITH 10.0 NYLON CHAIN
-12	TERM WITH 2.5 SST ROPE
-13	TERM WITH 3.0 SST ROPE
-14	TERM WITH 6.0 SST ROPE
-15	TERM WITH 4.0 SST ROPE
-16	TERM WITH 7.0 SST ROPE
-17	TERM WITH 4.5 SST ROPE

TABLE 2

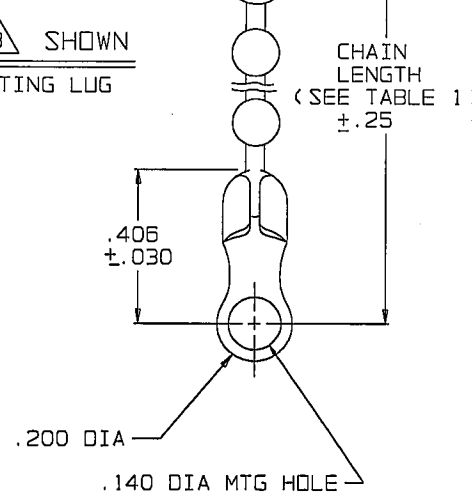
DASH NO	"A" DIA	"B" DIA	"C" DIM	"D" DIA
-D2	.630	.750	1.066	.450
-D3	.505	.625	.941	.388
-D4	.439	.562	.878	.355
-D5	.380	.500	.816	.325
-D6	.317	.437	.753	.295
-D7	.281	.406	.722	.278
-D8	.610	.750	1.066	.450
-D9	.567	.687	1.003	.419
-D10	.192	.312	.628	.231
-D11	1.005	1.125	1.441	.638
-DD8	.330	.450	.766	.300

RED INDICATES ORIGINAL



-1-3 SHOWN
NO CHAIN OR MOUNTING LUG

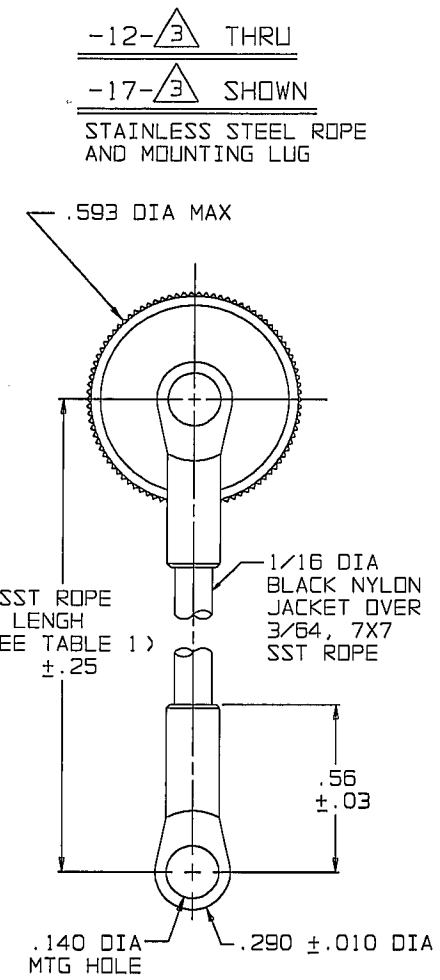
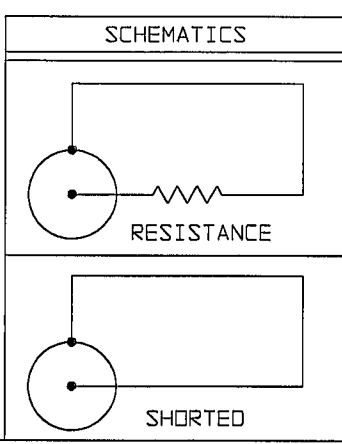
-2-3 THRU -11-3 SHOWN
STANDARD CHAIN & MOUNTING LUG



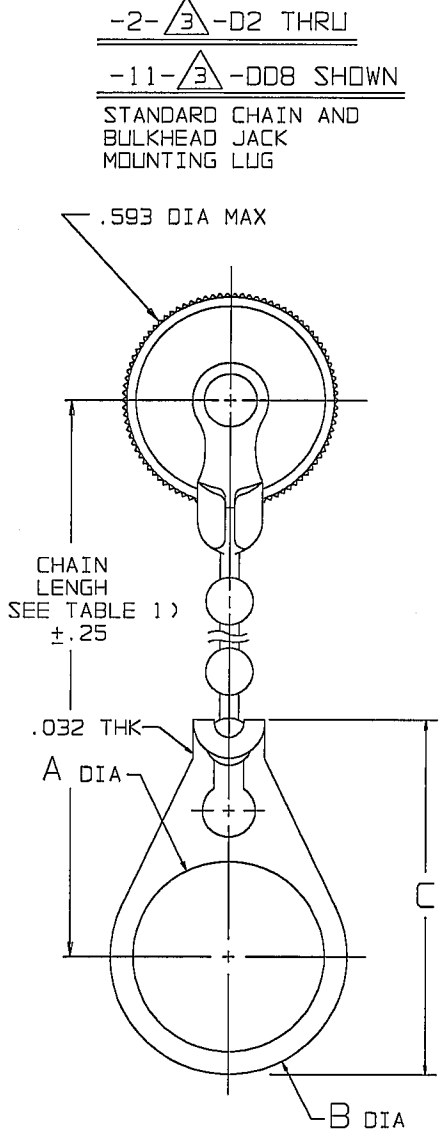
NOTE LENGTH FOR SST ROPE WITH MTG LUG OPTION IS NOT MEASURED TO CENTER OF BULKHEAD MTG LUG

5. EXAMPLE OF COMPLETE MODEL NO:
TNA1 - 2 - 3 - D2
BASIC MODEL NO: TNH1 (50 OHM) / UTH1 (75 OHM)
CHAIN/ROPE MATL AND LENGTH (SEE TABLE 1)
BULKHEAD JACK MOUNTING LUG (OPTIONAL) AVAILABLE WITH BRASS CHAIN, NYLON CHAIN & SST ROPE (SEE TABLE 2)

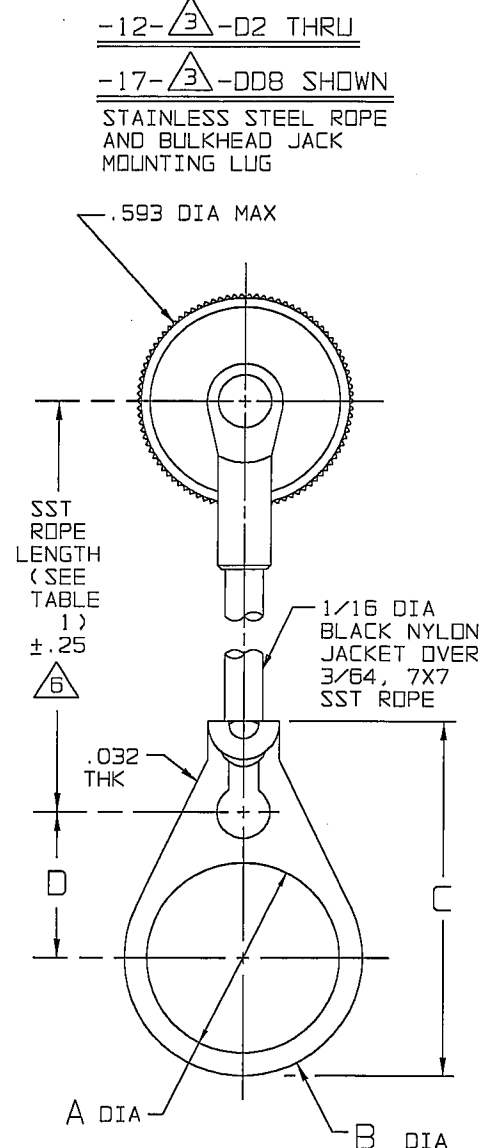
- 4. TERMINATED MALE COAXIAL 50 & 75 OHMS TNC TYPE PLUG WITH CHAIN & MOUNTING LUG OPTIONS
- 3. RESISTANCE VALUE IN OHMS (1/2W, 1%) S = PIN SHORTED TO CASE (NO RESISTOR)
- 2. FINISH: TFS-1A (NICKEL)
- 1. ALL DIMENSIONS ARE IN INCHES



-12-3 THRU
-17-3 SHOWN
STAINLESS STEEL ROPE AND MOUNTING LUG



-2-3 -D2 THRU
-11-3 -DD8 SHOWN
STANDARD CHAIN AND BULKHEAD JACK MOUNTING LUG



-12-3 -D2 THRU
-17-3 -DD8 SHOWN
STAINLESS STEEL ROPE AND BULKHEAD JACK MOUNTING LUG

INTERPRET DRAWING PER MIL-STD-100 DIMENSIONS ARE IN INCHES AND INCLUDE FINISH THICKNESS UNLESS OTHERWISE SPECIFIED		TOL: UNLESS SPECIFIED .XX ± .02 .XXX ± .010 .XXXX ANGLE		TROMPETER ELECTRONICS, INC.
DRAWN: JCM	DATE: 6-30-03	MATERIAL:	TITLE: TNA1/LTNA1	
CHECKED: [Signature]	DATE: 7/1/03	FINISH:	SIZE: B 14949	DRAWING NO: 102-0006
APPROVED: [Signature]	DATE: 7/1/03	SCALE: 4/1	DATE: 7-12-68	REV: AC
NEXT ASSY	CAD FILE NO: 102-0006AC1	DO NOT SCALE DWG	SHEET 1 OF 3	