

DATA CONTAINED IN THIS DOCUMENT IS PROPRIETARY TO TROMPETER ELECTRONICS INC. AND SHALL NOT BE DISCLOSED, COPIED OR USED FOR PROCUREMENT OR MANUFACTURE WITHOUT EXPRESS WRITTEN PERMISSION OF TROMPETER ELECTRONICS INC.

REVISIONS

102-0006 SH 1

REV	DESCRIPTION	DATE	APPROVED
AC	REVISED PER ECD 15106	7/1/03	WJ

TABLE 1

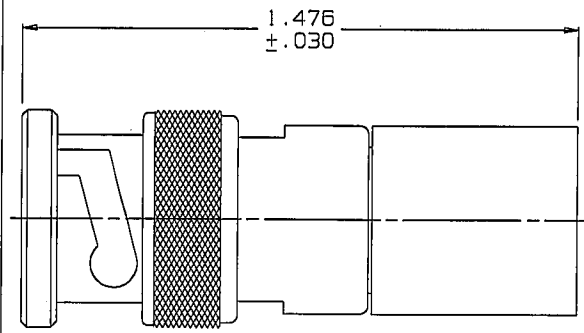
DASH NO	DESCRIPTION
-1	TERM (NO CHAIN)
-2	TERM WITH 2.5 BRASS CHAIN
-3	TERM WITH 2.5 NYLON CHAIN
-4	TERM WITH 3.0 BRASS CHAIN
-5	TERM WITH 3.0 NYLON CHAIN
-6	TERM WITH 6.0 BRASS CHAIN
-7	TERM WITH 6.0 NYLON CHAIN
-8	TERM WITH 4.0 BRASS CHAIN
-9	TERM WITH 4.0 NYLON CHAIN

DASH NO	DESCRIPTION
-10	TERM WITH 10.0 BRASS CHAIN
-11	TERM WITH 10.0 NYLON CHAIN
-12	TERM WITH 2.5 SST ROPE
-13	TERM WITH 3.0 SST ROPE
-14	TERM WITH 6.0 SST ROPE
-15	TERM WITH 4.0 SST ROPE
-16	TERM WITH 7.0 SST ROPE
-17	TERM WITH 4.5 SST ROPE

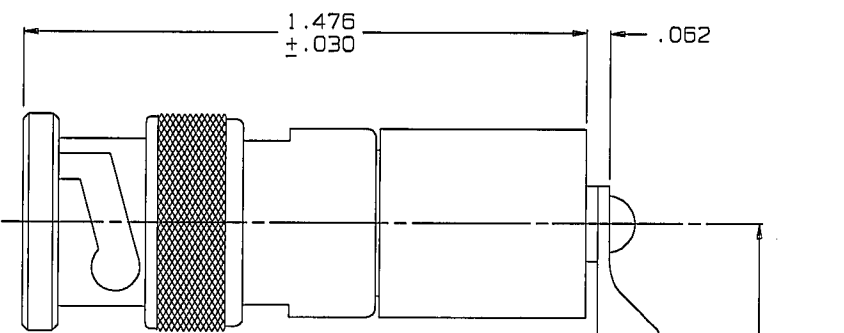
TABLE 2

DASH NO	"A" DIA	"B" DIA	"C" DIM	"D" DIA
-D2	.630	.750	1.066	.450
-D3	.505	.625	.941	.388
-D4	.439	.562	.878	.355
-D5	.380	.500	.816	.325
-D6	.317	.437	.753	.295
-D7	.281	.406	.722	.278
-D8	.610	.750	1.066	.450
-D9	.567	.687	1.003	.419
-D10	.192	.312	.628	.231
-D11	1.005	1.125	1.441	.638
-DD8	.330	.450	.766	.300

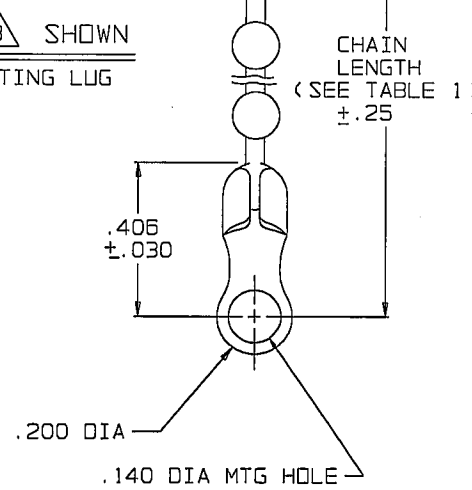
RED INDICATES ORIGINAL



-1- \triangle SHOWN
NO CHAIN OR MOUNTING LUG



-2- \triangle THRU -11- \triangle SHOWN
STANDARD CHAIN & MOUNTING LUG



\triangle NOTE LENGTH FOR SST ROPE WITH MTG LUG OPTION IS NOT MEASURED TO CENTER OF BULKHEAD MTG LUG

5. EXAMPLE OF COMPLETE MODEL NO:
TNA1 - 2 - \triangle - D2

BASIC MODEL NO
TNH1 (50 OHM)
UTNH1 (75 OHM)

CHAIN/ROPE MATL AND LENGTH (SEE TABLE 1)

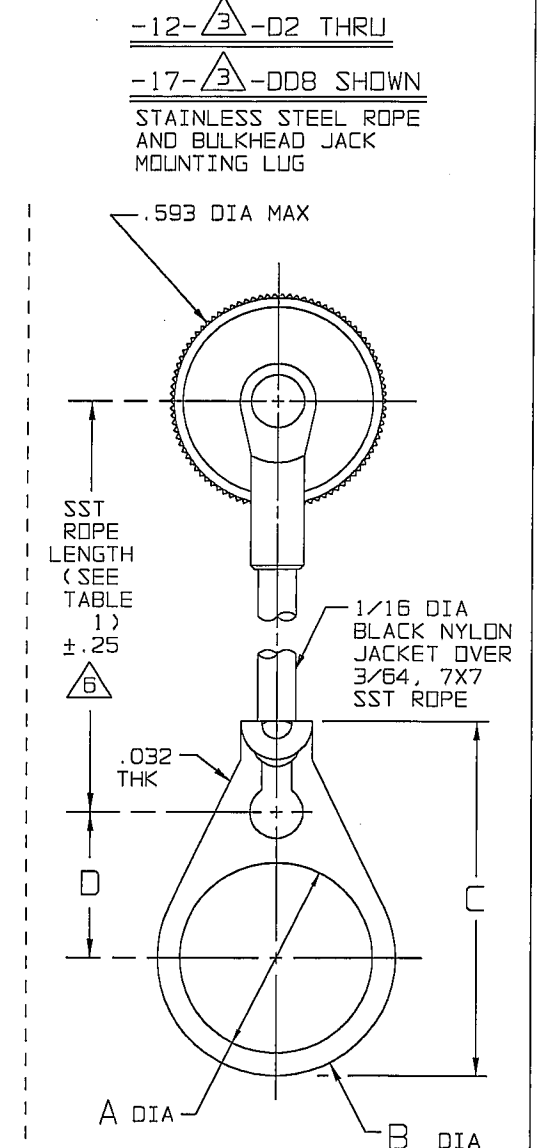
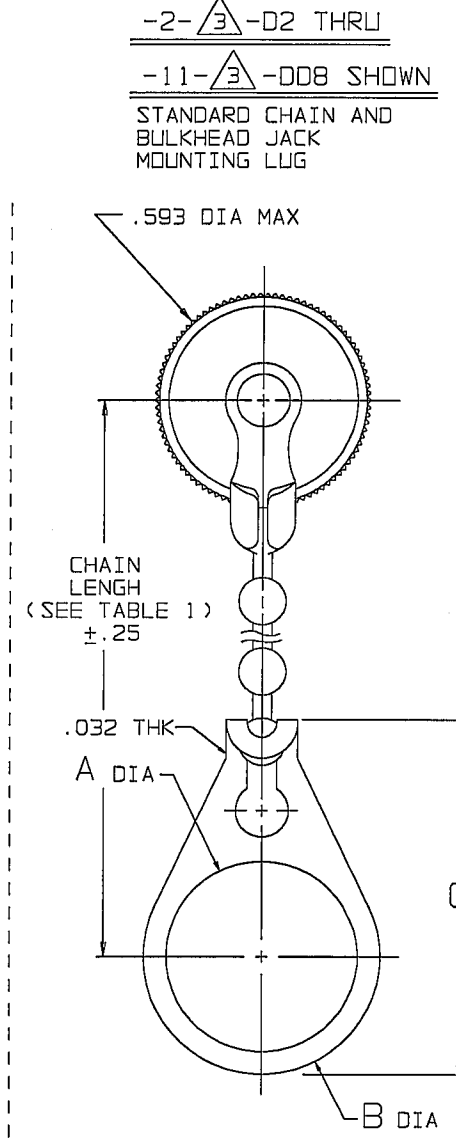
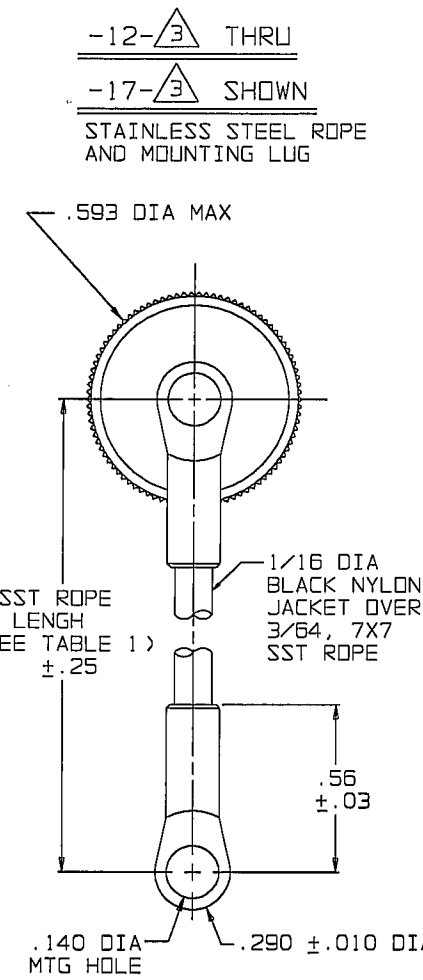
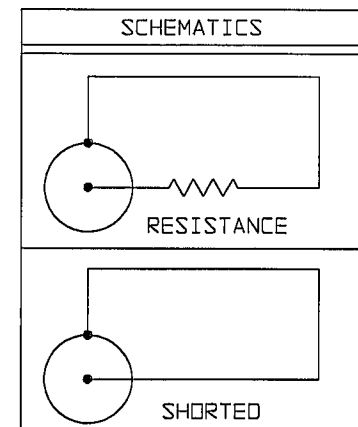
BULKHEAD JACK MOUNTING LUG (OPTIONAL) AVAILABLE WITH BRASS CHAIN, NYLON CHAIN & SST ROPE (SEE TABLE 2)

4. TERMINATED MALE COAXIAL 50 & 75 OHMS TNC TYPE PLUG WITH CHAIN & MOUNTING LUG OPTIONS

\triangle RESISTANCE VALUE IN OHMS (1/2W, 1%)
S = PIN SHORTED TO CASE (NO RESISTOR)

2. FINISH: TFS-1A (NICKEL)

1. ALL DIMENSIONS ARE IN INCHES



INTERPRET DRAWING PER MIL-STD-100 DIMENSIONS ARE IN INCHES AND INCLUDE FINISH THICKNESS UNLESS OTHERWISE SPECIFIED		TOL: UNLESS SPECIFIED .XX ± .02 .XXX ± .010 .XXXX ANGLE	
DRAWN JCM	DATE 6-30-03	MATERIAL:	TITLE:
CHECKED	6-30-03	FINISH:	TNA1/LTNA1
QUALITY	2/1/03	SCALE	SIZE CAGE CODE
HANDS	7/1/03	DATE	DRAWING NO.
APPROVED	102-0006AC1	SCALE 4/1	102-0006
NEXT ASSY	DO NOT SCALE DWG	DATE 7-12-68	REV. AC
		SHEET 1 OF 3	