

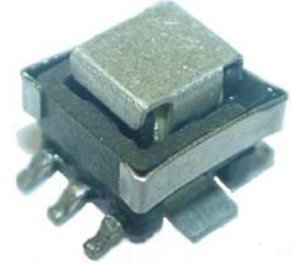
### CSE5-100501

#### Description:

EE5 Surface mounting design  
 Height: 5.3mm Max  
 Optimal performance at 250 kHz and above  
 Primary Current Rating: 10 amps  
 Insulation Resistance: 10MΩ Minimum  
 Operating Temperature Range: -15°C to +105°C  
 Custom designs available

#### Application:

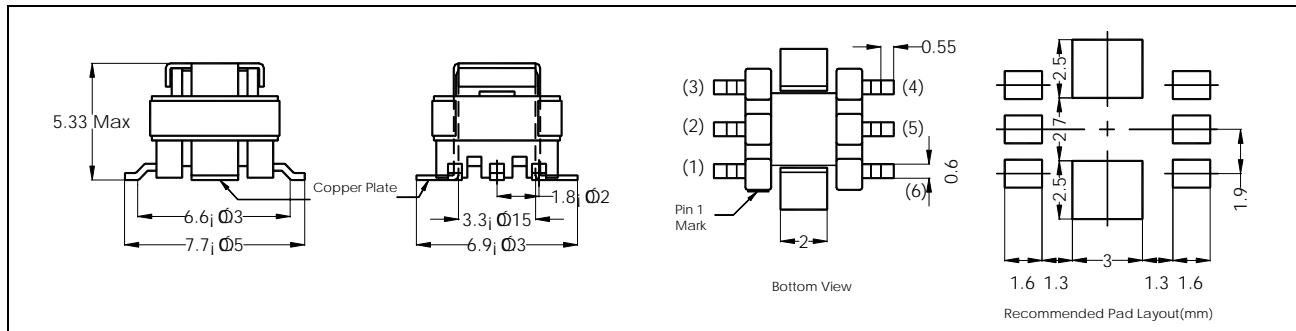
Ac current detection  
 Output supply for control circuit  
 Switching Power Supply



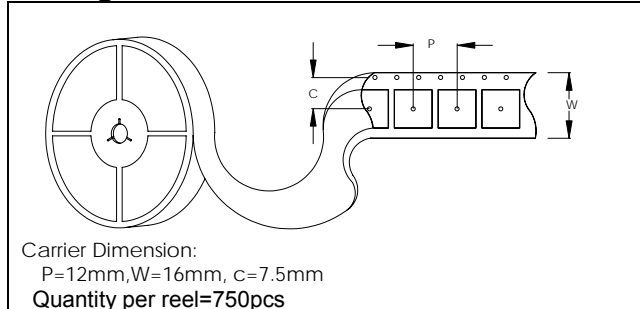
#### Electrical Specifications @ 25C

| Turns<br>N1:N2 | Secondary<br>Min Inductance (μH) | Secondary<br>Max DCR (mΩ) | Color Code |      |
|----------------|----------------------------------|---------------------------|------------|------|
|                |                                  |                           | Dot        | Tape |
| 1:50           | 500                              | 1500                      | BLU        | BLU  |

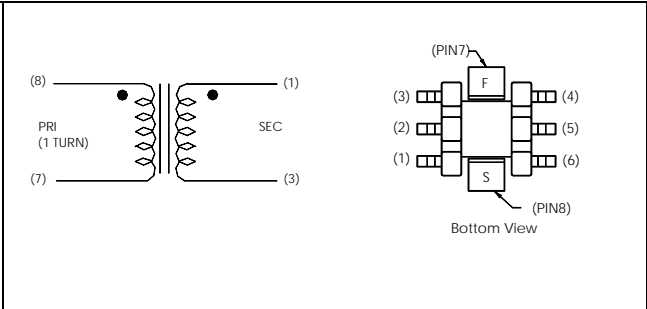
#### Mechanical:



#### Packing:



#### Schematic:



**RoHS Compliance:** As of manufacturing date February 2005, all standard products meet the requirements of 2011/65/EU, known as the RoHS initiative.

\* Upon printing, this document is considered "uncontrolled". Please contact Triad Magnetics' website for the most current version.

web: [www.TriadMagnetics.com](http://www.TriadMagnetics.com)  
 Phone 951-277-0757  
 Fax 951-277-2757

460 Harley Knox Blvd.  
 Perris, California 92571

Publish Date: December 4, 2013