

AFCI CONFIDENTIAL

Amphenol FCI

This document is the property of and embodies CONFIDENTIAL and PROPRIETARY information of AFCI. No part of the information shown on this document may be used in any way or disclosed to others without the written consent of Amphenol FCI.

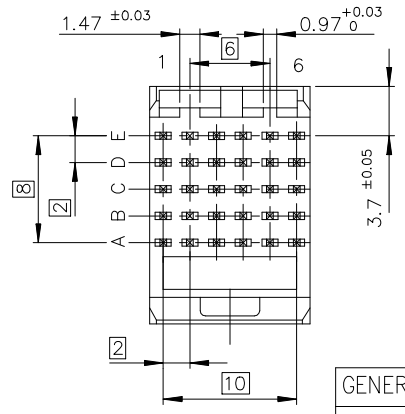
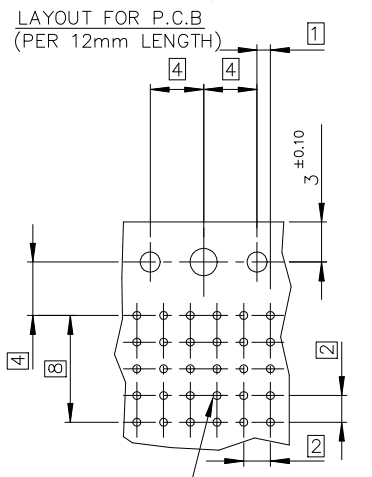
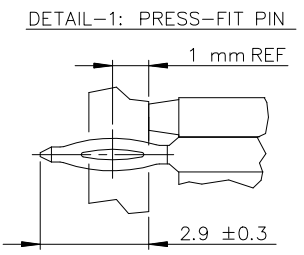
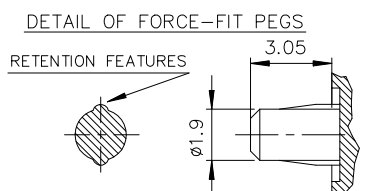
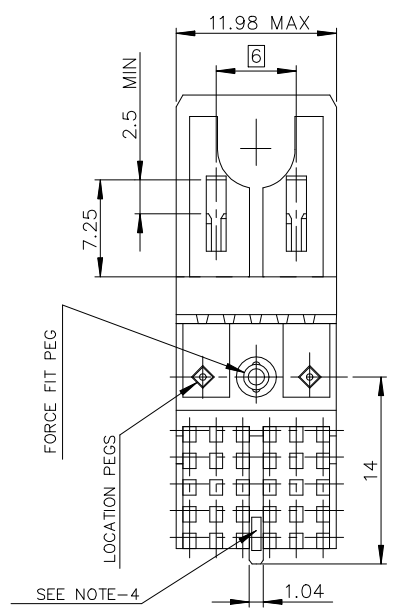
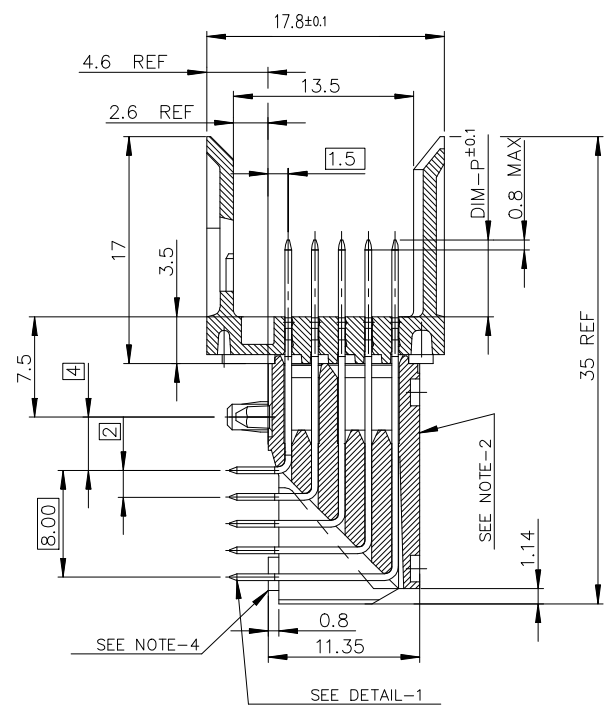


TABLE 1
LEAD-FREE PART NUMBER

Part Number: HM1L51xDP000H6PLF

MATING LENGTH DIM-P / REPLACE 'x' BY:

	ROW-A	ROW-B	ROW-C	ROW-D	ROW-E
A =	5.00	5.00	5.00	5.00	5.00
L =	5.75	5.75	5.75	5.75	5.75
D =	6.50	6.50	6.50	6.50	6.50
B =	6.50	5.00	5.00	5.00	5.00
C =	6.50	5.75	5.75	6.50	5.75
N =	8.00	8.00	8.00	8.00	8.00
E =	5.00	5.00	5.75	5.00	5.00
J =	SEE TABLE 2				

TABLE 2

Part Number: HM1L51JDP601H6PLF

MATING LENGTH DIM-P / REPLACE 'J' BY:

	COLUMN-1	COLUMN-2	COLUMN-3	COLUMN-4	COLUMN-5	COLUMN-6
ROW-E	5.00	5.00	5.00	5.00	8.00	5.00
ROW-D	5.00	5.00	5.00	5.00	8.00	5.00
ROW-C	5.00	5.00	5.00	5.00	8.00	5.00
ROW-B	5.00	5.00	5.00	5.00	8.00	5.00
ROW-A	5.00	5.00	5.00	5.00	8.00	5.00

- NOTE-2: FLAT ROCK INSERTION TOOLING, ON ALL THIS SURFACE
 - NOTE-3: EYE OF THE NEEDLE PRESS FIT PIN TYPE
 - NOTE-4: REAR CENTRAL SUPPORT FOR BETTER ASSY ON PCB
 - NOTE-5: IF SUFFIX "P" IS ADDED IN P/N PACKAGING IS IN TRAYS BUT CONNECTOR MARKING IS WITHOUT "P"
- EXAMPLE: HM1XXXXXXXXX6P, MARKED HM1XXXXXXXXX6

GENERAL CHARACTERISTICS AND ROHS INFORMATIONS:
SEE PRODUCT SPECIFICATION GS-12-445

mat'l. code				surface 58 / tolerance ISO 1302 ✓ / ISO 406 ISO 1101		projection		product family METRAL	
ltr	ecn no	dr	date	tolerances unless otherwise specified		MM		title	
D	-	CHA	2000/08/24	angles	.x±0.1	← MM →		METRAL RA HEADER 5 ROW	
E	LS05-004	MLE	2005-02-17	linear	.xx±0.1	scale 2.5		STANDARD PRESS-FIT 30 WAY	
F	LS06-0095	LGO	2006-07-10	0.xx'±2	.xxx±0.1			dwg no	
G	LS07-0184	MLE	2007-07-24	dr	ETIEMBRE	1996-06-28		sheet 1 of 1 size 5	
H	DC10-0231	Cenh	2010-06-18	enr	LENOIR	1997-01-23		Amphenol FCI	
J	ELX-1-27568	SAL	2017-07-27	chr	S ALOSIOUS	2017-07-27		C-8626-0235 A3	
				appd	BlJU K PAUL	2017-07-27		type Customer Drawing	
sheet index		revision	J						
		sheet	1						