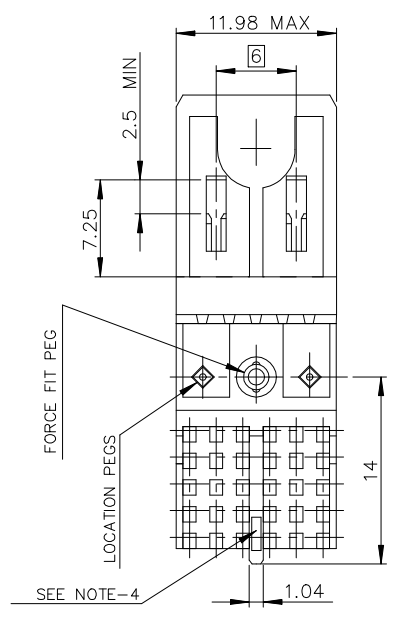
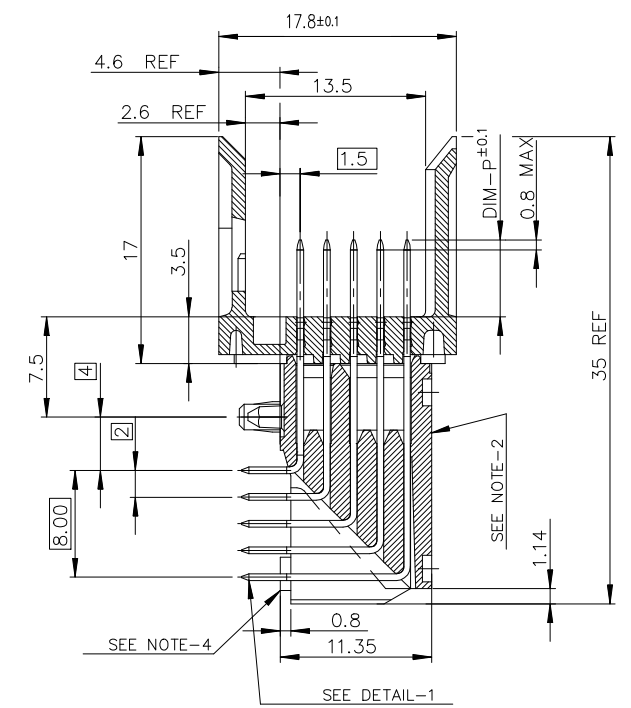


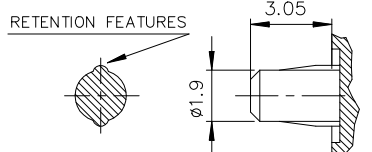
AFCI CONFIDENTIAL

Amphenol
FCI

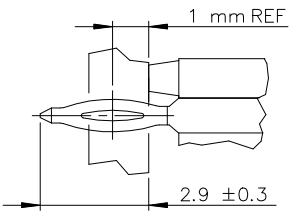
This document is the property of and embodies CONFIDENTIAL and PROPRIETARY information of AFCI. No part of the information shown on this document may be used in any way or disclosed to others without the written consent of AFCI.



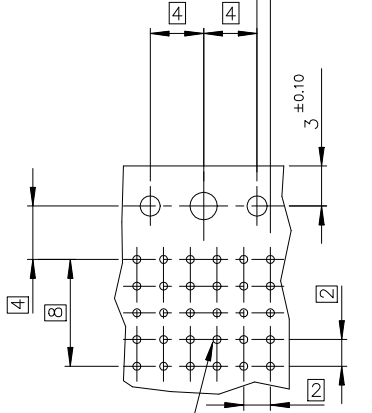
DETAIL OF FORCE-FIT PEGS



DETAIL-1: PRESS-FIT PIN



LAYOUT FOR P.C.B
(PER 12mm LENGTH)



Hole according to product spec
GS-12-445 (for press-fit) .
GS-12-446 (for STB)

TABLE 1
LEAD-FREE PART NUMBER

Part Number: HM1L51xDP000H6PLF

MATING LENGTH DIM-P / REPLACE 'x' BY:

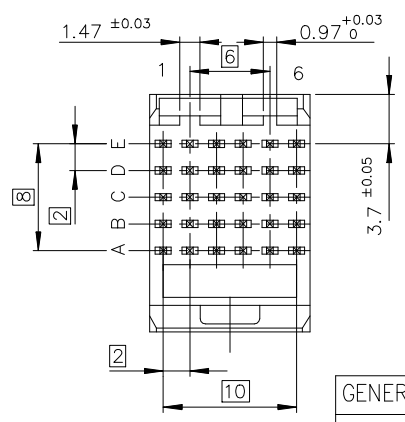
	ROW-A	ROW-B	ROW-C	ROW-D	ROW-E
A =	5.00	5.00	5.00	5.00	5.00
L =	5.75	5.75	5.75	5.75	5.75
D =	6.50	6.50	6.50	6.50	6.50
B =	6.50	5.00	5.00	5.00	5.00
C =	6.50	5.75	5.75	6.50	5.75
N =	8.00	8.00	8.00	8.00	8.00
E =	5.00	5.00	5.75	5.00	5.00
J =	SEE TABLE 2				

TABLE 2

Part Number: HM1L51JDP601H6PLF

MATING LENGTH DIM-P / REPLACE 'J' BY:

	COLUMN-1	COLUMN-2	COLUMN-3	COLUMN-4	COLUMN-5	COLUMN-6
ROW-E	5.00	5.00	5.00	5.00	8.00	5.00
ROW-D	5.00	5.00	5.00	5.00	8.00	5.00
ROW-C	5.00	5.00	5.00	5.00	8.00	5.00
ROW-B	5.00	5.00	5.00	5.00	8.00	5.00
ROW-A	5.00	5.00	5.00	5.00	8.00	5.00



- NOTE-2: FLAT ROCK INSERTION TOOLING, ON ALL THIS SURFACE
- NOTE-3: EYE OF THE NEEDLE PRESS FIT PIN TYPE
- NOTE-4: REAR CENTRAL SUPPORT FOR BETTER ASSY ON PCB
- NOTE-5: IF SUFFIX "P" IS ADDED IN P/N PACKAGING IS IN TRAYS BUT CONNECTOR MARKING IS WITHOUT "P"
EXAMPLE: HM1XXXXXXXXX6P, MARKED HM1XXXXXXXXX6

GENERAL CHARACTERISTICS AND ROHS INFORMATIONS:
SEE PRODUCT SPECIFICATION GS-12-445

mat'l. code		surface 58		tolerance		projection		product family	
-		ISO 1302		ISO 406 ISO 1101				METRAL	
ltr	ecn no	dr	date	tolerances unless otherwise specified				title	
D	-	CHA	2000/08/24	angles		linear		METRAL RA HEADER 5 ROW	
E	LS05-004	MLE	2005-02-17	0.XX'±2		.x±0.1		STANDARD PRESS-FIT 30 WAY	
F	LS06-0095	LGO	2006-07-10	.XXX±0.1		scale 2.5		dwg no	
G	LS07-0184	MLE	2007-07-24	dr		ETIEMBRE		1996-06-28	
H	DC10-0231	Cenh	2010-06-18	enr		LENOIR		1997-01-23	
J	ELX-1-27568	SAL	2017-07-27	chr		S ALOSUIS		2017-07-27	
				appd		BlJU K PAUL		2017-07-27	
sheet index	revision	J							
	sheet	1							