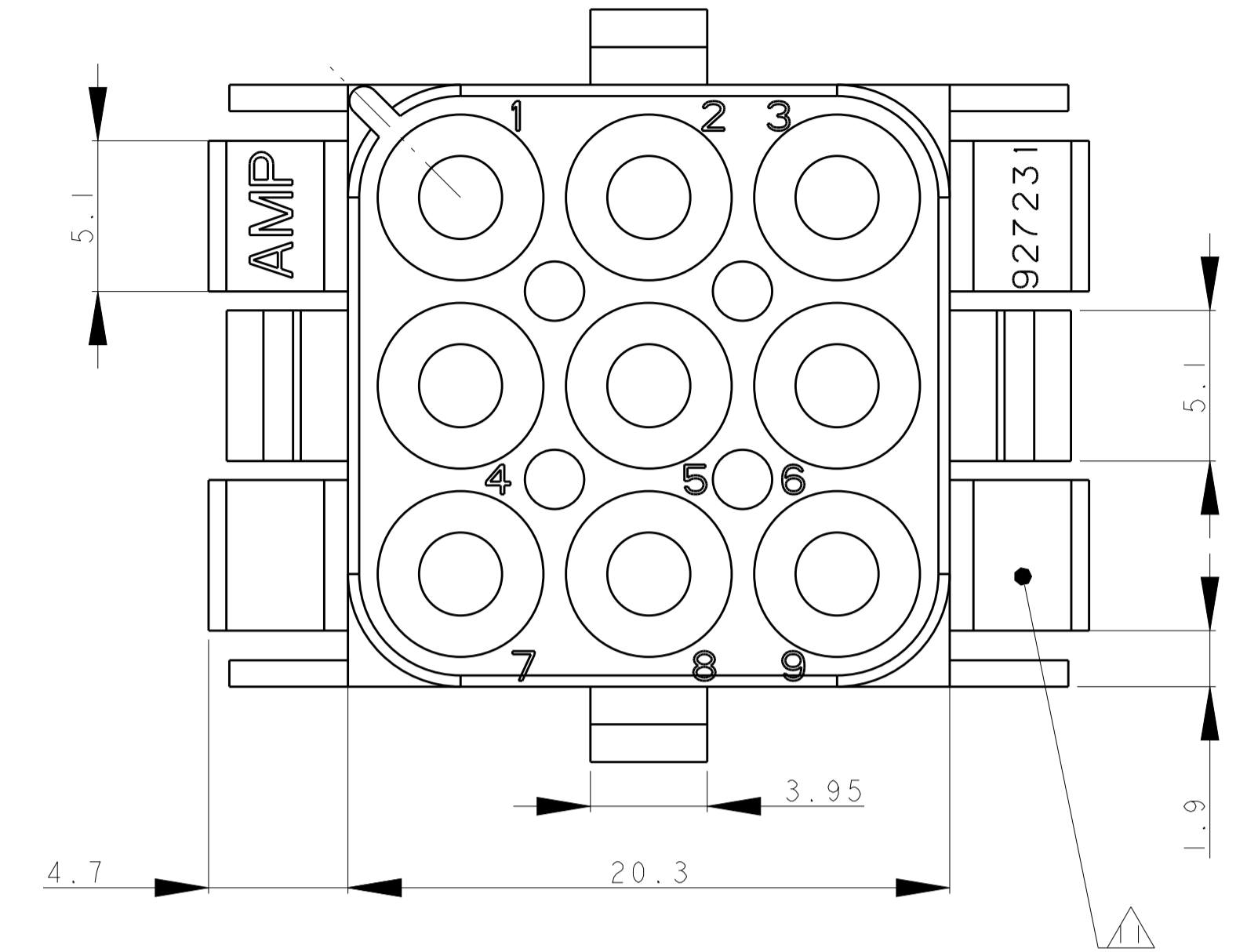
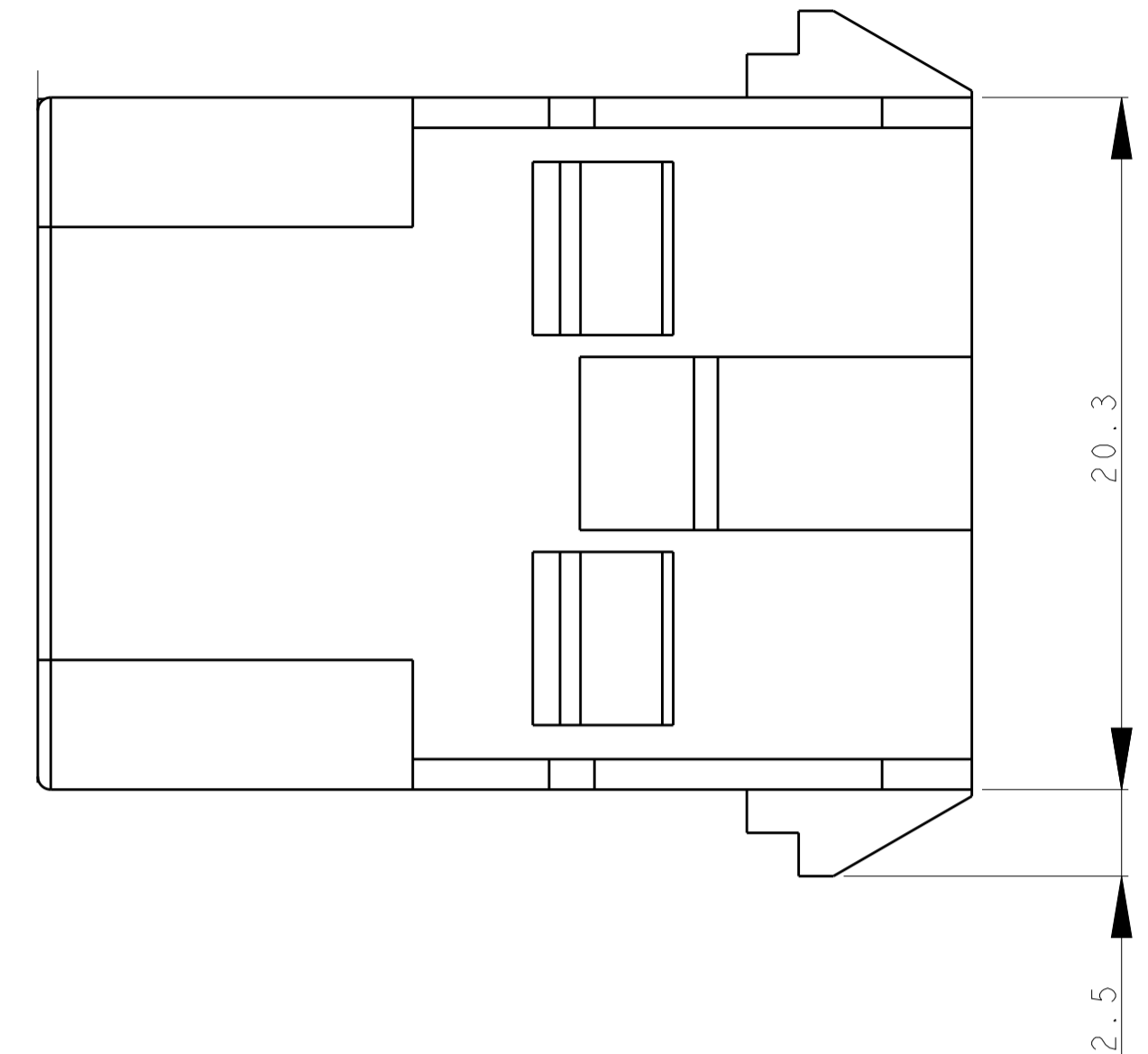
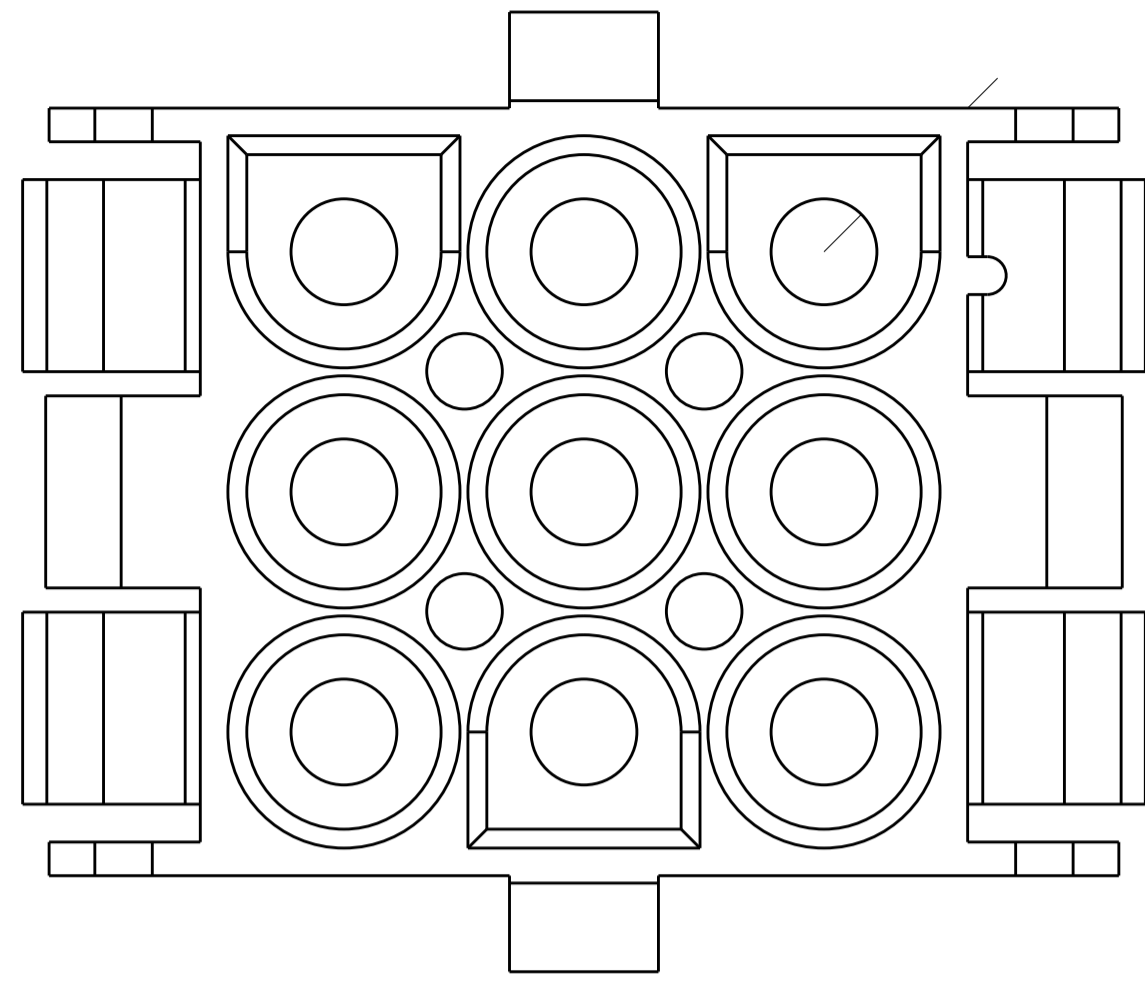
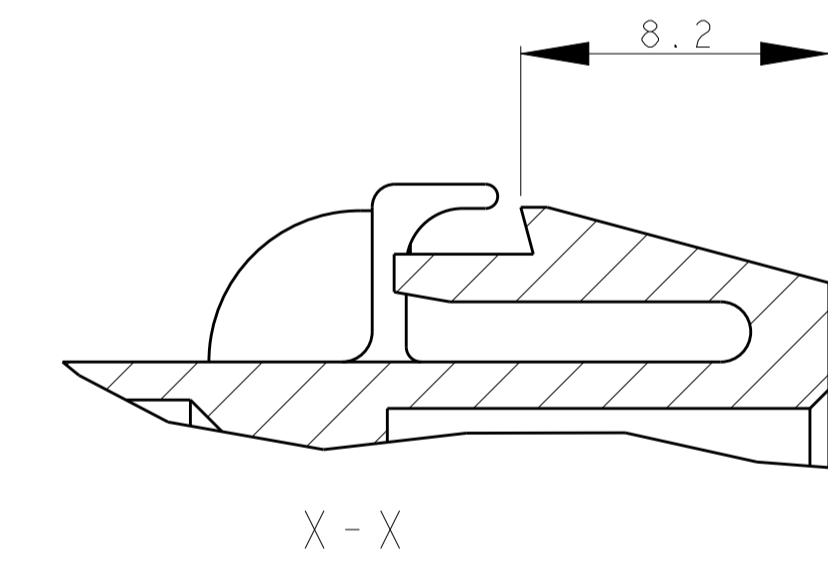
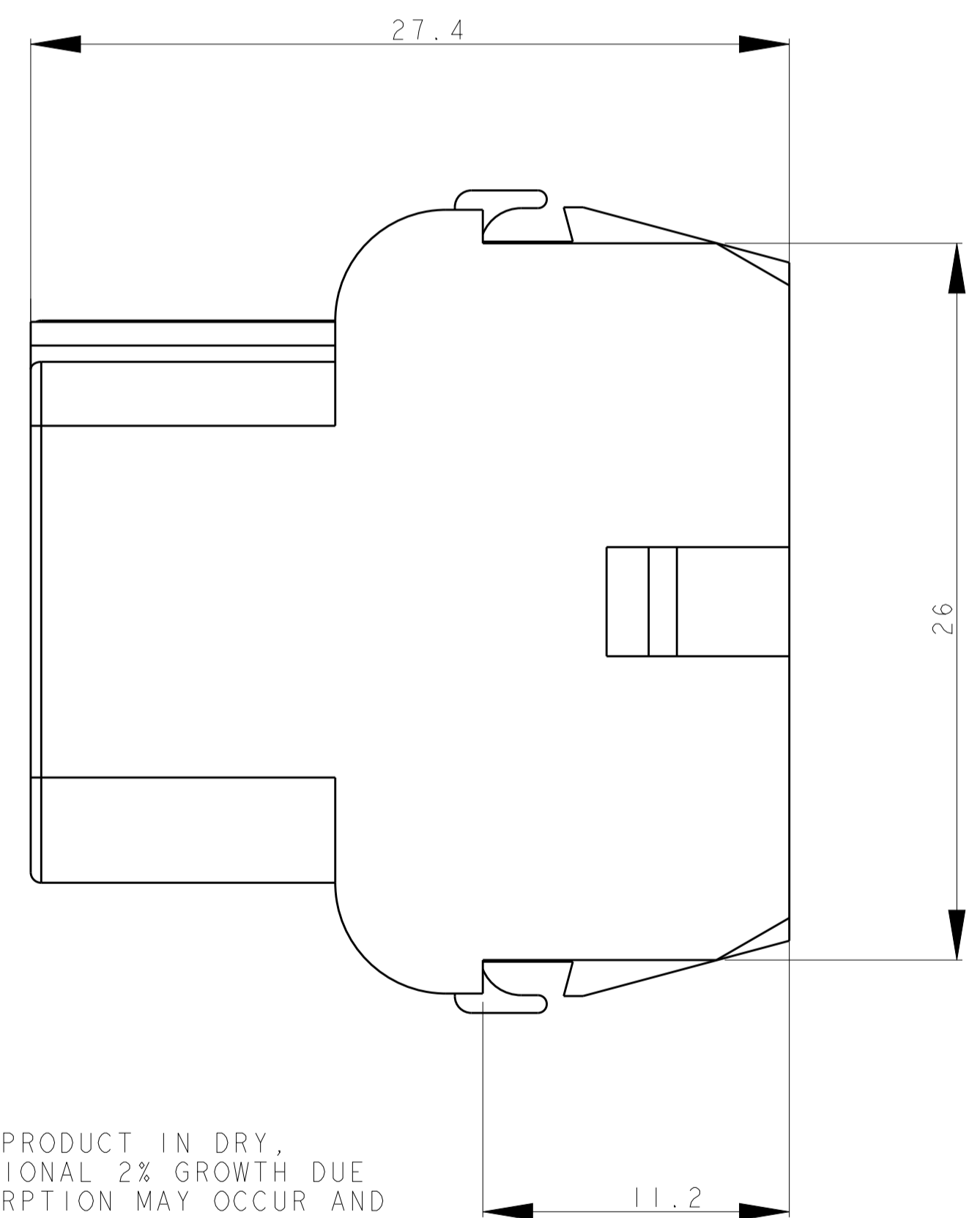
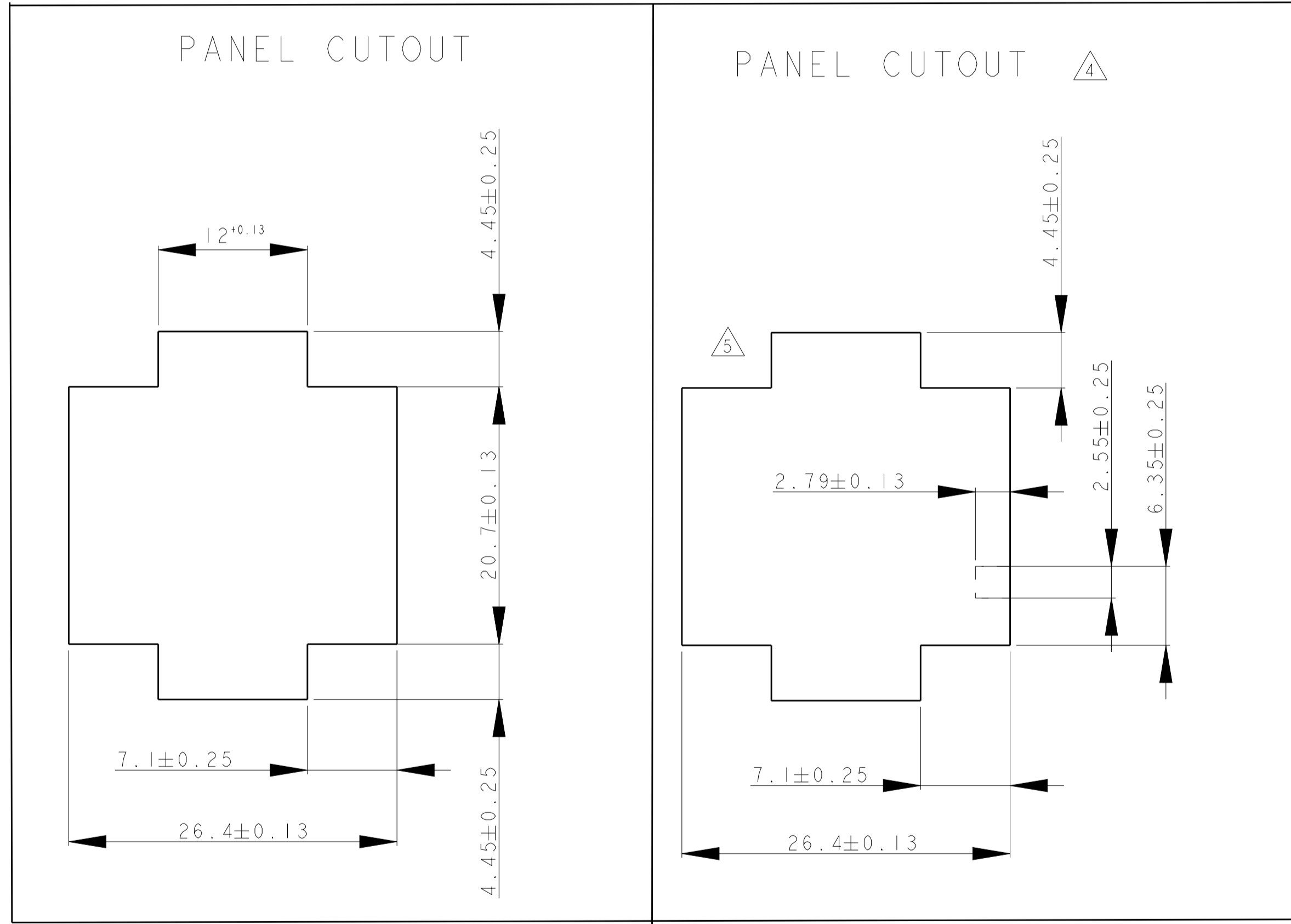


REVISIONS				
P.	LTN	DESCRIPTION	DATE	APVD
F8		REVISED PER ECR-17-014951	16OCT2017	BDA KR



PANEL CUTOUT USE FOR PUNCH CUT



- 1 SUITABLE FOR PIN AND FEMALE CONTACTS
- 2 RECOMMENDED SHEET METAL THICKNESS 0,75-2,3mm.
- 3 HOUSING MUST BE INTRODUCED IN PUNCHING DIRECTION.
- 4 FOR CODED USING OF THE HOUSINGS
- 5 POSITION OF CAVITY I FOR CODED USING
- 6 NEW MATERIAL (PHOSPOR AND HALOGENEUS FREE).
- 7 GWT 750°C(WITHOUT FLAME) ACCORDING IEC 60335-1 EDITION 06/2001
- 8 MATERIAL WITH GWFI 850°C
- 9 PRELIMINARY PRAT NOT RELEASED FOR PRODUCTION
- 10 ADD PANEL CUTOUT ONLY FOR LASER CUT PROCESS.
- 11 CSA CERTIFICATION LOGO LOCATED APPROXIMATELY AS SHOWN

12 DIMENSIONS SHOWN REPRESENT PRODUCT IN DRY, AS MOLDED, CONDITION. ADDITIONAL 2% GROWTH DUE TO SUBSEQUENT MOISTURE ABSORPTION MAY OCCUR AND SHOULD BE ACCOUNTED FOR.

927231-7	PA66 UL-94 V0	NATURAL	7
927231-6	PA66 UL-94 V0	NATURAL	9
927231-5	PA66 UL-94 V2	NATURAL	7 8
927231-4	PA66 UL-94 V0	WHITE	
927231-3	PA66 UL-94 V0	NATURAL	6
927231-2	PA66 UL-94 V0	BLACK	
927231-1	PA66 UL-94 V0	NATURAL	
PN	MATERIAL	COLOUR	

THIS DRAWING IS A CONTROLLED DOCUMENT.

DIMENSIONS:	TOLERANCES UNLESS OTHERWISE SPECIFIED:	0 PLC ± 0.2	1 PLC ± 0.2	2 PLC ± 0.2	3 PLC ± 0.2	4 PLC ± 0.2	ANGLES ± 1°	FINISH
-------------	--	-------------	-------------	-------------	-------------	-------------	-------------	--------

MATERIAL: - FINISH: - WEIGHT: -

CUSTOMER DRAWING

SCALE: 5:1 SHEET: 1 OF 2 REV: F8

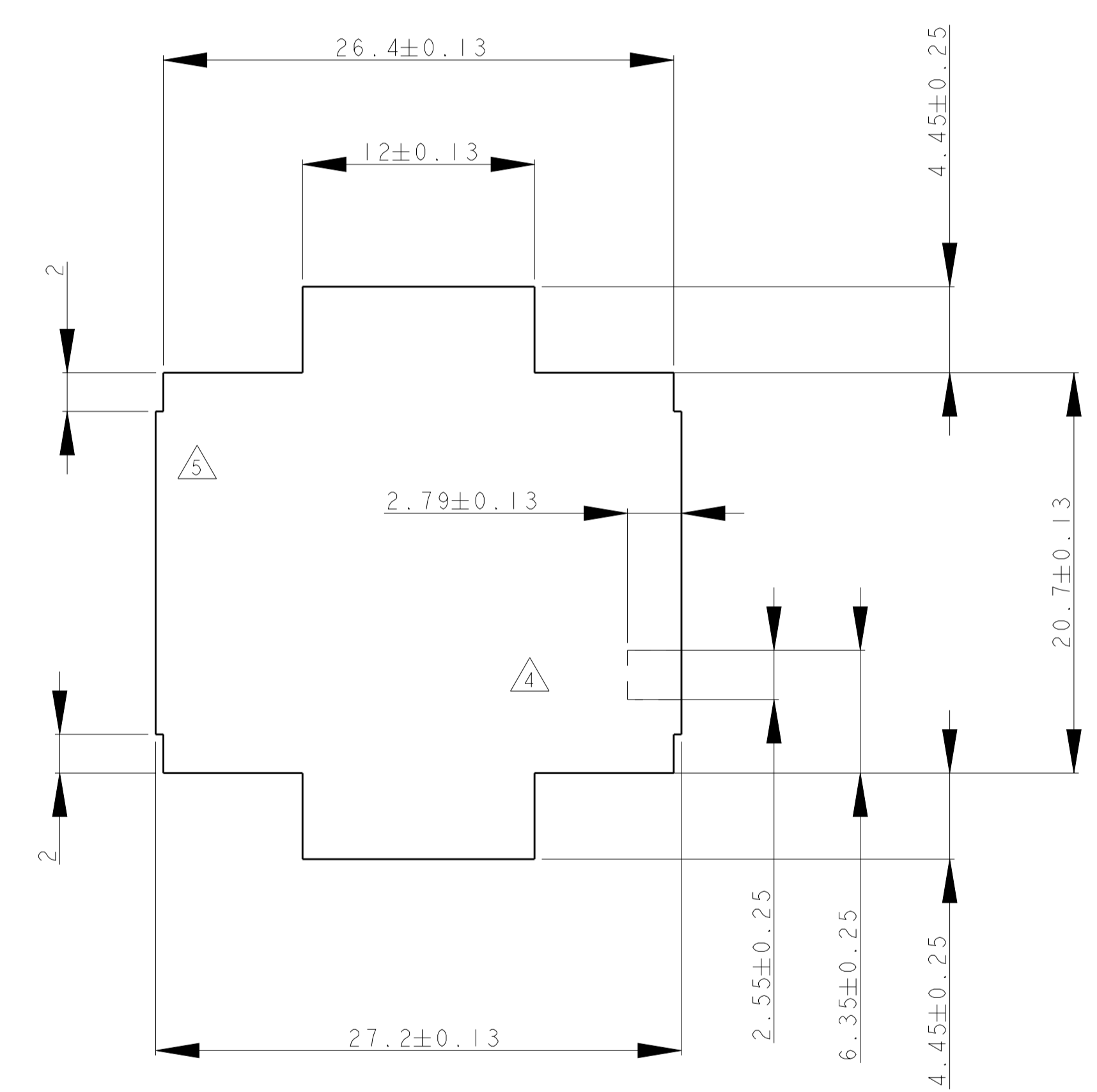
DATE: 11DEC2012  
 CHK: MGT  
 R.P.  
 APVD: R.P.  
 NAME: UMNL 9 WAY CAP HSG  
 SIZE: A1 CAGE CODE: 927231

TE Connectivity

THIS DRAWING IS UNPUBLISHED. RELEASED FOR PUBLICATION  
 © COPYRIGHT copyright.dkte. ALL RIGHTS RESERVED.

REVISIONS				
P.	LTN	DESCRIPTION	DATE	APVD
-	-	SEE SHEET 1	-	-

PANEL CUTOUT ONLY USE FOR LASER CUT  $\triangle$



THIS DRAWING IS A CONTROLLED DOCUMENT.		DWN	WGT	11DEC2012	TE Connectivity
DIMENSIONS:		CHK	R.P	11DEC2012	
mm		APVD	R.P	11DEC2012	
		TOLERANCES UNLESS OTHERWISE SPECIFIED:		NAME	UMNL 9 WAY CAP HSG
0 PLC $\pm 0.2$		PRODUCT SPEC		SIZE	A1
1 PLC $\pm 0.2$		APPLICATION SPEC		CAGE CODE	927231
2 PLC $\pm 0.2$		FINISH		WEIGHT	-
3 PLC $\pm 0.2$		RESTRICTED TO		CUSTOMER DRAWING	SCALE 5:1 SHEET 2 OF 2 REV F8
4 PLC $\pm 0.2$		MATERIAL			
ANGLES $\pm 1^\circ$					