

General purpose accelerometers

777 and 777B

SPECIFICATIONS

Sensitivity, $\pm 10\%$, 25°C		100 mV/g
Acceleration range		80 g peak
Amplitude nonlinearity		1%
Frequency response:	± 3 dB	0.5 - 12,000 Hz
Resonance frequency		30 kHz
Transverse sensitivity, max		5% of axial
Temperature response:		
	-50°C	-10%
	+85°C	+5%
Power requirement:		
Voltage source		18 - 30 VDC
Current regulating diode		2 - 10 mA
Electrical noise, equiv. g:		
Broadband	2.5 Hz to 25 kHz	700 μ g
Spectral	10 Hz	10 μ g/ \sqrt Hz
	100 Hz	5 μ g/ \sqrt Hz
	1,000 Hz	5 μ g/ \sqrt Hz
Output impedance, max		100 Ω
Bias output voltage		12 VDC
Grounding		case isolated ($>10^8 \Omega$ at 100V), internally shielded
Temperature range		-50° to +85°C
Vibration limit		500 g
Shock limit, min		5,000 g
Electromagnetic sensitivity, equiv. g, max		70 μ g/gauss
Sealing		IP66
Base strain sensitivity, max		0.0005 g/ μ strain
Sensing element design		PZT, shear
Weight		75 grams
Case material		stainless steel
Mounting		1/4-28 UNF tapped hole
Output connector and mating connector		see Connections table below
Recommended cabling		J10

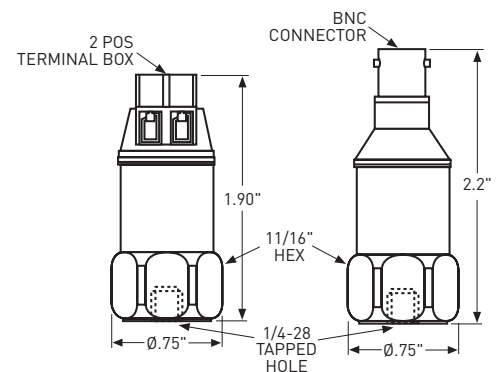
Accessories supplied: SF6 mounting stud; protective vinyl boot (777 only)

Accessories available: SF6M 1/4-28 to M8 adapting stud



Key features

- Ground isolated
- Manufactured in ISO 9001 facility



Model 777

Model 777B



Connections				
Model	Connector pin	Power/Signal	Common	Mating connector
777	2-position terminal block	+	-	N/A
777B	BNC coaxial	center contact	shell	R2

Note: Due to continuous process improvement, specifications are subject to change without notice.
This document is cleared for public release.