

4

3

2

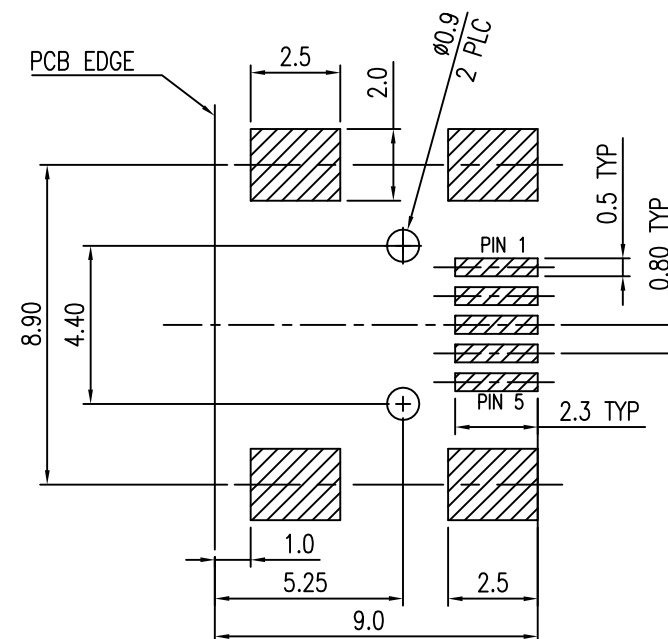
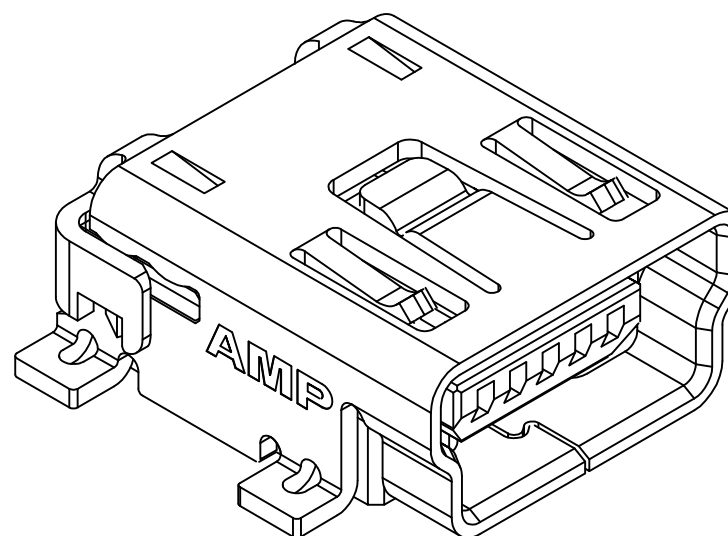
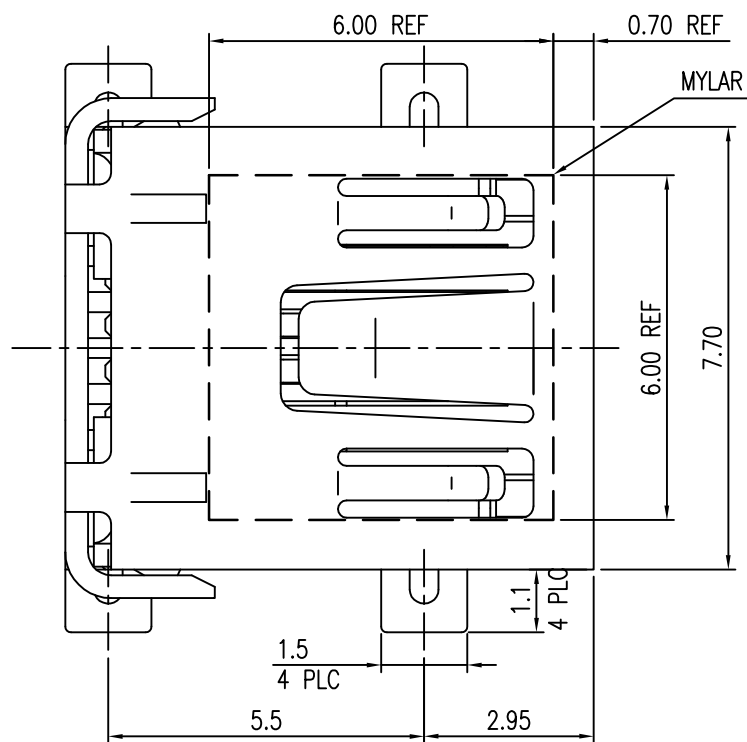
1

THIS DRAWING IS UNPUBLISHED.

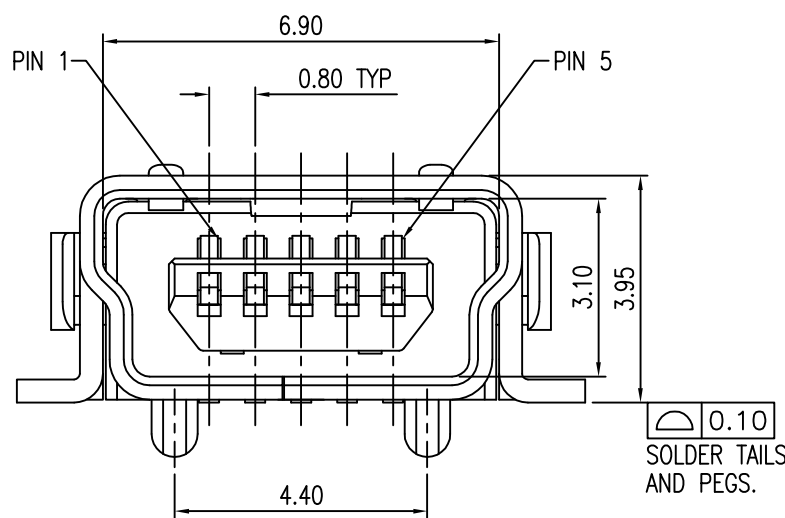
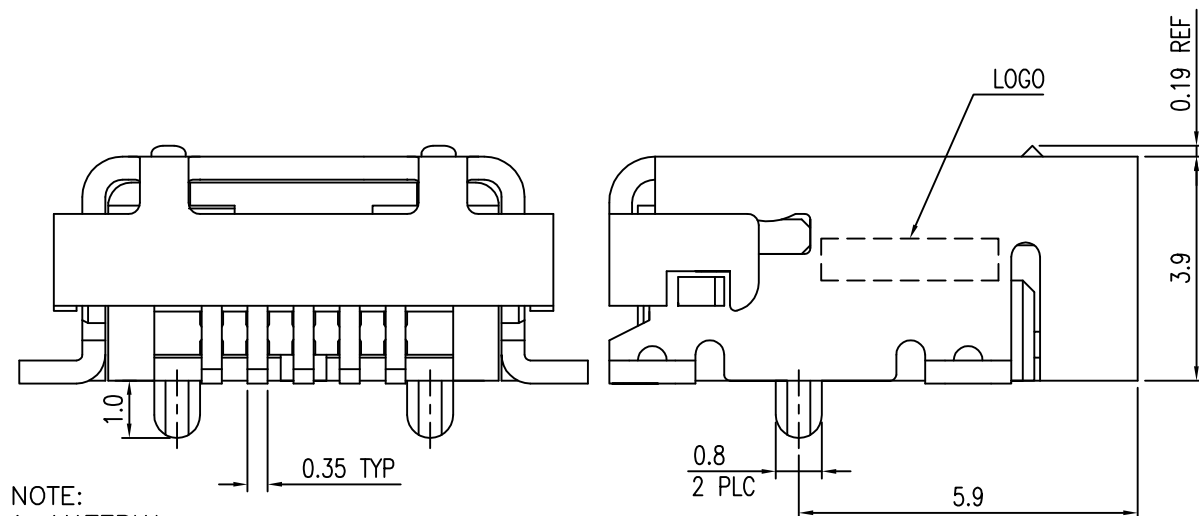
RELEASED FOR PUBLICATION

© COPYRIGHT BY TYCO ELECTRONICS CORPORATION. ALL RIGHTS RESERVED.

| LOC | DIST | REVISIONS |     |                        |         |     |      |
|-----|------|-----------|-----|------------------------|---------|-----|------|
| DW  | -    | P         | LTR | DESCRIPTION            | DATE    | DWN | APVD |
|     |      | F         |     | REVISED SHELL MATERIAL | 18MAY16 | BL  | J.L  |



RECOMMENDED PCB LAYOUT (MOUNTING SIDE)  
THICKNESS 1.57mm (TOLERANCE: ±0.05)



- NOTE:
- MATERIAL:  
HOUSING: PA9T WITH 33% GF, UL 94V-0, COLOR: SEE TABLE.  
CONTACTS: PHOSPHOR BRONZE.  
SHELL: SUS304, THICKNESS=0.40MM.  
MYLAR: POLYAMIDE FILM.
  - FINISH:  
CONTACTS: GOLD FLASH OVER  
0.762µm [30µ"] MIN. PALLADIUM-NICKEL PLATED ON CONTACT AREA,  
    - ▲ 2.54µm [100µ"] MIN. MATTE-TIN ON SOLDER TAIL,
    - ▲ 2.54µm [100µ"] MIN. MATTE-TIN ON SOLDER TAIL,
    - ▲ 3.05µm [120µ"] MIN. MATTE-TIN ON SOLDER TAIL,
WITH ENTIRE CONTACT UNDERPLATED 1.27µm [50µ"] MIN. NICKEL.  
SHELL: ▲ & ▲ 1.27µm [50µ"] MIN. NICKEL PLATED OVERALL.  
▲ 0.76µm [30µ"] MIN. MATTE-TIN OVER 1.27µm [50µ"] MIN. NICKEL.
  - NO DATECODE ON PRODUCT SURFACE.
  - REFLOW SOLDER CAPABLE TO 260°C PER TE TEST SPEC. 109-201, CONDITION B.

|   |         |               |       |                           |         |             |
|---|---------|---------------|-------|---------------------------|---------|-------------|
| ▲ | BLACK   | W/O           | W/O   | TAPE REEL                 | W/      | 3-1734035-2 |
|   | BLACK   | W/            | W/O   | TAPE REEL                 | W/      | 2-1734035-4 |
| ▲ | BLACK   | W/O           | W/    | TAPE REEL                 | W/      | 2-1734035-3 |
|   | BLACK   | W/O           | W/    | TAPE REEL                 | W/      | 2-1734035-2 |
|   | BLACK   | W/O           | N/A   | TRAY                      | W/      | 2-1734035-1 |
| ▲ | NATURAL | W/            | W/O   | TAPE REEL                 | W/      | 1734035-5   |
|   | BLACK   | W/            | W/O   | TAPE REEL                 | W/      | 1734035-4   |
|   | BLACK   | W/O           | W/    | TAPE REEL                 | W/      | 1734035-3   |
|   | BLACK   | W/O           | W/O   | TAPE REEL                 | W/      | 1734035-2   |
|   | BLACK   | W/O           | N/A   | TRAY                      | W/      | 1734035-1   |
|   | PLATED  | HOUSING COLOR | MYLAR | LONG CARRIER & COVER TAPE | PACKAGE | POST        |
|   |         |               |       |                           |         | PART NUMBER |

|  |  |  |           |   |                     |
|--|--|--|-----------|---|---------------------|
| THIS DRAWING IS A CONTROLLED DOCUMENT. |  | DWN  | O. HU     | 21DEC2007                                     | <br>TE Connectivity |
|  |  | CHK  | S. HOU    | 21DEC2007                                     |                     |
|  |  | APVD   | W. KODAMA | 21DEC2007                                     | NAME                |
| DIMENSIONS: MM                         |  | TOLERANCES UNLESS OTHERWISE SPECIFIED:   |           | PRODUCT SPEC<br><b>108-57062</b>              |                     |
|  |  | 0 PLC ± 0.38<br>1 PLC ± 0.25<br>2 PLC ± 0.13<br>3 PLC ± 0.05<br>4 PLC ± -<br>ANGLES ± 3° |           | QUALIFICATION TEST REPORT<br><b>501-57070</b> |                     |
| MATERIAL SEE NOTE                      |  | FINISH SEE NOTE  |           | WEIGHT --<br>CUSTOMER DRAWING                 |                     |
|  |  | SIZE A3<br>CAGE CODE 00779<br>DRAWING NO. C=1734035                                      |           | RESTRICTED TO --                              |                     |
|  |  | SCALE --   |           | SHEET 1 of 4 REV F                            |                     |

4

3

2

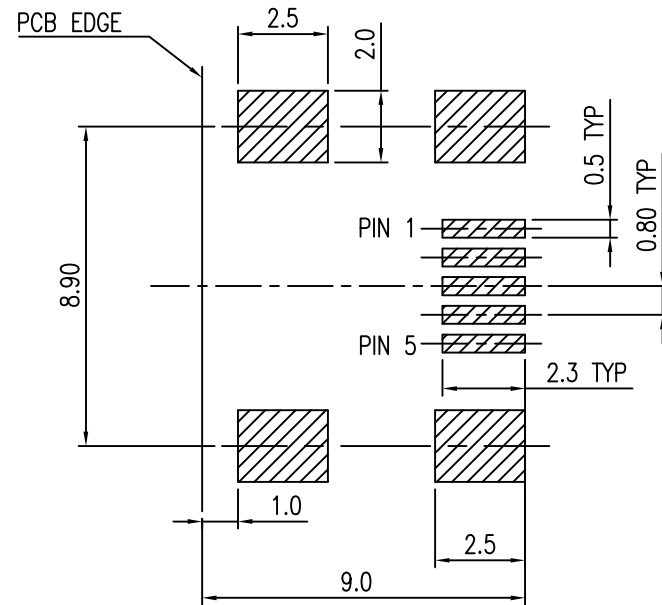
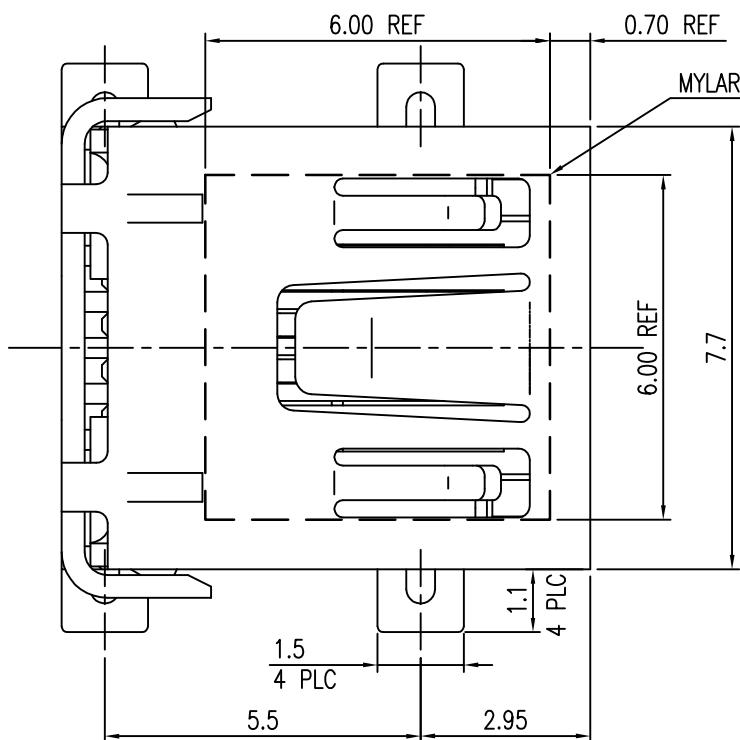
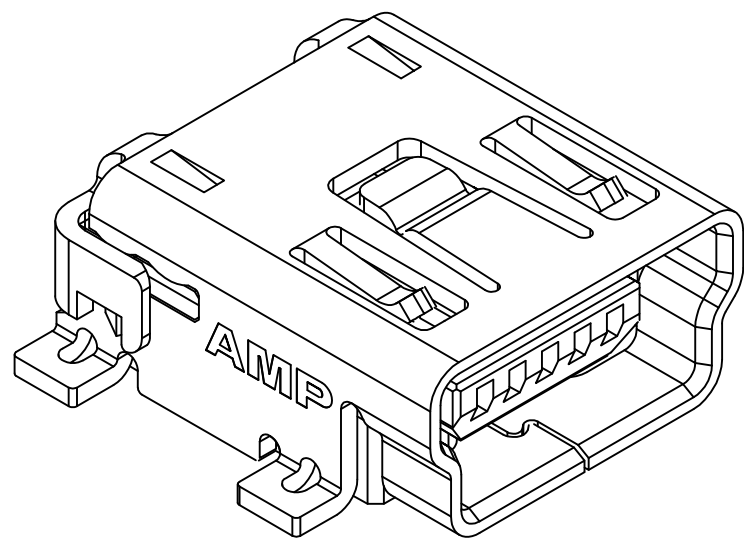
1

THIS DRAWING IS UNPUBLISHED.

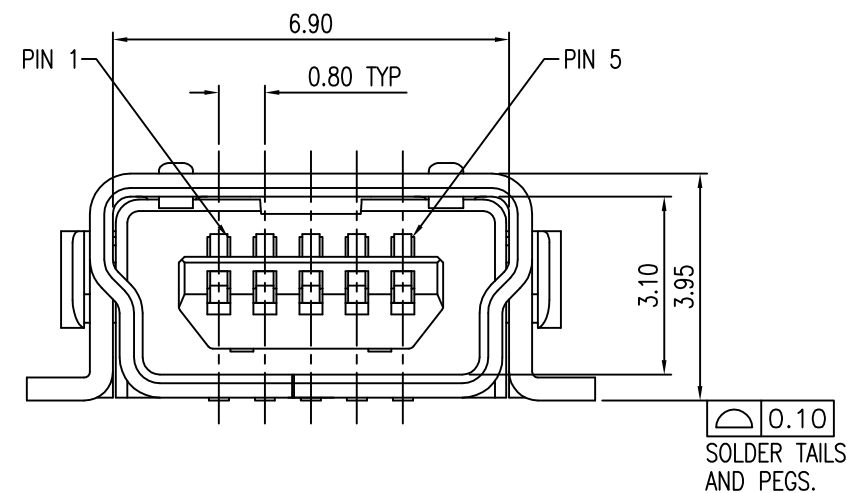
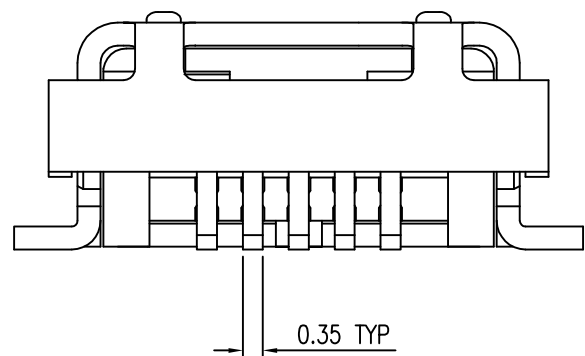
RELEASED FOR PUBLICATION

© COPYRIGHT BY TYCO ELECTRONICS CORPORATION. ALL RIGHTS RESERVED.

| LOC | DIST | REVISIONS    |      |     |      |  |
|-----|------|--------------|------|-----|------|--|
| P   | LTR  | DESCRIPTION  | DATE | DWN | APVD |  |
| DW  | -    | SEE SHEET 1. |      |     |      |  |



RECOMMENDED PCB LAYOUT (MOUNTING SIDE)  
THICKNESS 1.57mm (TOLERANCE:±0.05)



NOTE:

- MATERIAL:  
HOUSING: PA9T WITH 33% GF, UL 94V-0, BLACK COLOR.  
CONTACTS: PHOSPHOR BRONZE.  
SHELL: SUS304, THICKNESS=0.40MM.  
MYLAR: POLYAMIDE FILM.
- FINISH:  
CONTACTS: GOLD FLASH OVER  
0.762µm [30µ"] MIN. PALLADIUM-NICKEL PLATED ON CONTACT AREA,  
2.54µm [100µ"] MIN. MATTE-TIN ON SOLDER TAIL, WITH  
ENTIRE CONTACT UNDERPLATED 1.27µm [50µ"] MIN. NICKEL.  
SHELL: 1.27µm [50µ"] MIN. NICKEL PLATED OVERALL.
- NO DATECODE ON PRODUCT SURFACE.
- REFLOW SOLDER CAPABLE TO 260°C PER TE TEST SPEC. 109-201, CONDITION B.

|       |                           |           |      |             |
|-------|---------------------------|-----------|------|-------------|
| W/    | W/O                       | TAPE REEL | W/O  | 4-1734035-2 |
|       | W/                        | TAPE REEL | W/O  | 1-1734035-3 |
| W/O   | W/O                       | TAPE REEL | W/O  | 1-1734035-2 |
|       | N/A                       | TRAY      | W/O  | 1-1734035-1 |
| MYLAR | LONG CARRIER & COVER TAPE | PACKAGE   | POST | PART NUMBER |

|   |        |                  |               |           |            |       |        |       |        |       |     |        |      |              |                            |  |  |
|---|--------|------------------|---------------|-----------|------------|-------|--------|-------|--------|-------|-----|--------|------|--------------|----------------------------|--|--|
| THIS DRAWING IS A CONTROLLED DOCUMENT.  |        | DWN              |               |           |            |       |        |       |        |       |     |        |      |              |                            |  |  |
| DIMENSIONS: MM  |        | CHK              |               |           |            |       |        |       |        |       |     |        |      |              |                            |  |  |
| TOLERANCES UNLESS OTHERWISE SPECIFIED:  |        | APVD             | NAME          |           |            |       |        |       |        |       |     |        |      |              |                            |  |  |
| <table border="1"> <tr><td>0 PLC</td><td>± 0.38</td></tr> <tr><td>1 PLC</td><td>± 0.25</td></tr> <tr><td>2 PLC</td><td>± 0.13</td></tr> <tr><td>3 PLC</td><td>± 0.05</td></tr> <tr><td>4 PLC</td><td>± -</td></tr> <tr><td>ANGLES</td><td>± 3'</td></tr> </table> |        | 0 PLC            | ± 0.38        | 1 PLC     | ± 0.25     | 2 PLC | ± 0.13 | 3 PLC | ± 0.05 | 4 PLC | ± - | ANGLES | ± 3' | PRODUCT SPEC | MINI USB, R/A, SMT, B TYPE |  |  |
| 0 PLC   | ± 0.38 |                  |               |           |            |       |        |       |        |       |     |        |      |              |                            |  |  |
| 1 PLC   | ± 0.25 |                  |               |           |            |       |        |       |        |       |     |        |      |              |                            |  |  |
| 2 PLC   | ± 0.13 |                  |               |           |            |       |        |       |        |       |     |        |      |              |                            |  |  |
| 3 PLC   | ± 0.05 |                  |               |           |            |       |        |       |        |       |     |        |      |              |                            |  |  |
| 4 PLC   | ± -    |                  |               |           |            |       |        |       |        |       |     |        |      |              |                            |  |  |
| ANGLES  | ± 3'   |                  |               |           |            |       |        |       |        |       |     |        |      |              |                            |  |  |
| MATERIAL  |        | APPLICATION SPEC | SIZE          | CAGE CODE | DRAWING NO |       |        |       |        |       |     |        |      |              |                            |  |  |
| SEE NOTE  |        | WEIGHT           | A3            | 00779     | C=1734035  |       |        |       |        |       |     |        |      |              |                            |  |  |
|   |        | CUSTOMER DRAWING | RESTRICTED TO |           |            |       |        |       |        |       |     |        |      |              |                            |  |  |
|   |        | SCALE            | SHEET         | REV       |            |       |        |       |        |       |     |        |      |              |                            |  |  |
|   |        |                  | 2 of 4        | F         |            |       |        |       |        |       |     |        |      |              |                            |  |  |

4

3

2

1

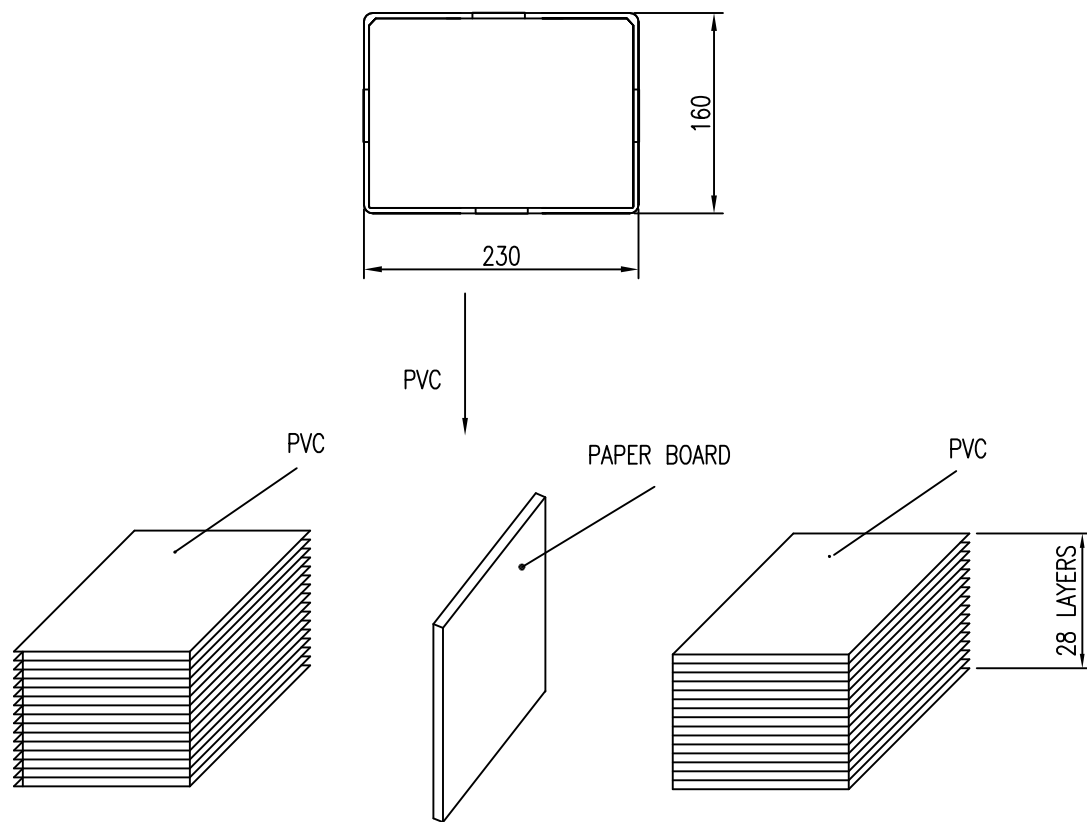
THIS DRAWING IS UNPUBLISHED.

RELEASED FOR PUBLICATION

---

© COPYRIGHT - BY TYCO ELECTRONICS CORPORATION. ALL RIGHTS RESERVED.

| LOC | DIST | REVISIONS |     |              |      |     |      |
|-----|------|-----------|-----|--------------|------|-----|------|
| DW  | -    | P         | LTR | DESCRIPTION  | DATE | DWN | APVD |
|     |      |           |     | SEE SHEET 1. |      |     |      |



| 8.25 Kg      | 5.55 Kg    | 150      | 56            | 8400 PCS | 2-1734035-1 |
|--------------|------------|----------|---------------|----------|-------------|
|              |            |          |               |          | 1-1734035-1 |
|              |            |          |               |          | 1734035-1   |
| GROSS WEIGHT | NET WEIGHT | PCS/TRAY | TRAYS /CARTON | QUANTITY | PART NUMBER |

|  |  |                  |                            |           |            |
|--|--|------------------|----------------------------|-----------|------------|
| THIS DRAWING IS A CONTROLLED DOCUMENT. |  | DWN              | <b>STE</b> TE Connectivity |           |            |
| DIMENSIONS: MM                         |  | CHK              |                            |           |            |
| TOLERANCES UNLESS OTHERWISE SPECIFIED: |  | APVD             | NAME                       |           |            |
| 0 PLC ± -                              |  | PRODUCT SPEC     | MINI USB, R/A, SMT, B TYPE |           |            |
| 1 PLC ± -                              |  | APPLICATION SPEC | SIZE                       | CAGE CODE | DRAWING NO |
| 2 PLC ± -                              |  | WEIGHT           | A3                         | 00779     | 1734035    |
| 3 PLC ± -                              |  |                  | RESTRICTED TO              |           |            |
| 4 PLC ± -                              |  |                  | -                          |           |            |
| ANGLES ± -                             |  |                  | SCALE                      | SHEET     | REV        |
| MATERIAL                               |  |                  | -                          | 3 of 4    | F          |
| FINISH                                 |  |                  |                            |           |            |

4

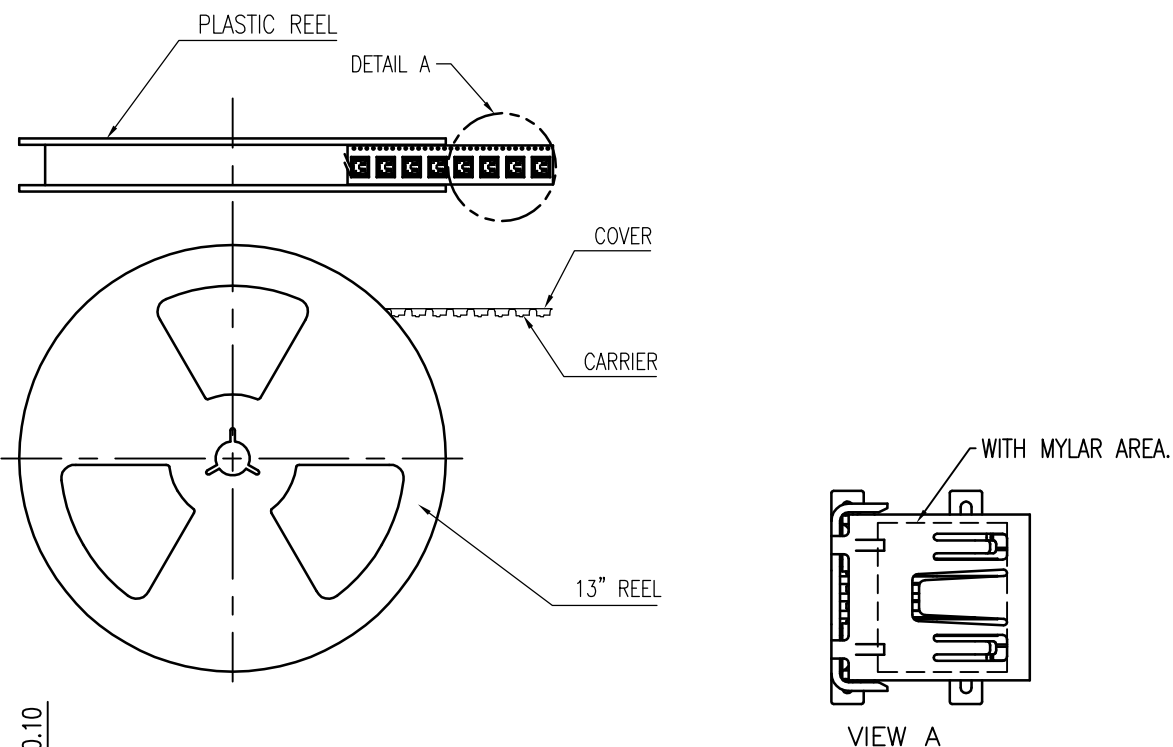
3

2

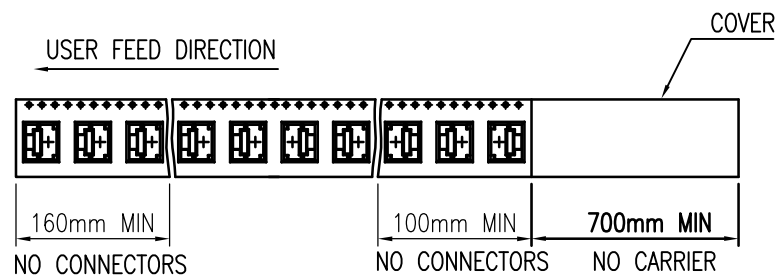
1

THIS DRAWING IS UNPUBLISHED. RELEASED FOR PUBLICATION  
 © COPYRIGHT BY TYCO ELECTRONICS CORPORATION. ALL RIGHTS RESERVED.

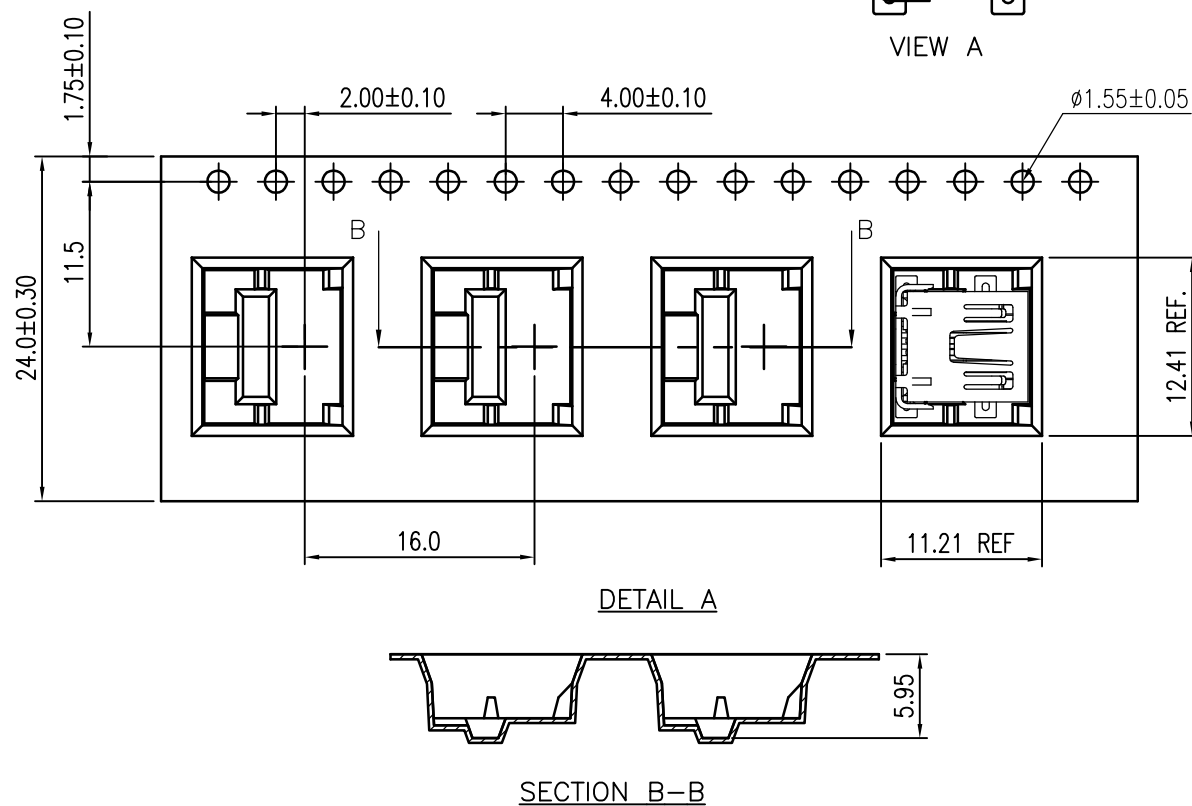
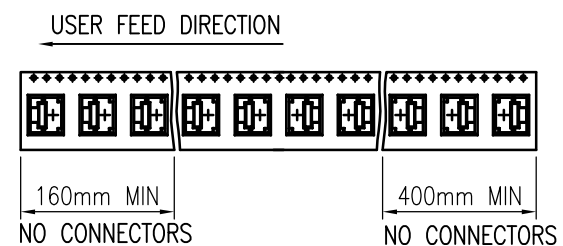
| LOC | DIST | REVISIONS |     |              |      |     |      |
|-----|------|-----------|-----|--------------|------|-----|------|
| DW  | -    | P         | LTR | DESCRIPTION  | DATE | DWN | APVD |
|     |      |           |     | SEE SHEET 1. |      |     |      |



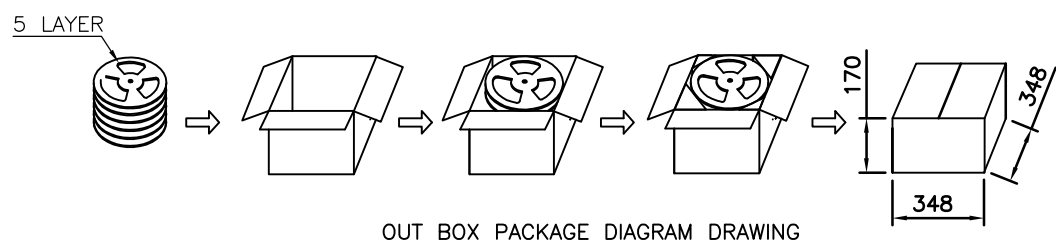
FOR 1734035-3, 1-1734035-3 AND 2-1734035-3 (LONG CARRIER & COVER TAPE)



FOR 1734035-2, 1734035-4, 1734035-5, 1-1734035-2, 3-1734035-2, 2-1734035-2, 2-1734035-4, 4-1734035-2



| GROSS WEIGHT | NET WEIGHT | PCS/REER | REERS / CARTON | QUANTITY | MYLAR | LONG CARRIER & COVER TAPE | PART NUMBER |
|--------------|------------|----------|----------------|----------|-------|---------------------------|-------------|
| 4.95 Kg      | 2.31 Kg    | 700      | 5              | 3500     | W/    | W/O                       | 4-1734035-2 |
|              |            |          |                |          | W/O   | W/O                       | 3-1734035-2 |
|              |            |          |                |          | W/    | W/O                       | 2-1734035-4 |
|              |            |          |                |          | W/O   | W/                        | 2-1734035-3 |
|              |            |          |                |          | W/O   | W/O                       | 2-1734035-2 |
|              |            |          |                |          | W/O   | W/                        | 1-1734035-3 |
|              |            |          |                |          | W/O   | W/O                       | 1-1734035-2 |
|              |            |          |                |          | W/    | W/O                       | 1734035-5   |
|              |            |          |                |          | W/    | W/O                       | 1734035-4   |
|              |            |          |                |          | W/O   | W/                        | 1734035-3   |
|              |            |          |                |          | W/O   | W/O                       | 1734035-2   |



THIS DRAWING IS A CONTROLLED DOCUMENT.

|                  |  |              |   |
|------------------|--|--------------|---|
| DIMENSIONS: MM   | TOLERANCES UNLESS OTHERWISE SPECIFIED: | DWN          | <br>TE Connectivity<br>NAME<br>MINI USB, R/A, SMT, B TYPE     |
|                  | 0 PLC ± -                              | CHK          |   |
|                  | 1 PLC ± -                              | APVD         |   |
|                  | 2 PLC ± -                              | PRODUCT SPEC |   |
| MATERIAL         | FINISH                                 | APVD         | SIZE CAGE CODE DRAWING NO RESTRICTED TO<br>A3 00779 C=1734035 |
| CUSTOMER DRAWING |  | WEIGHT       | SCALE SHEET 4 of 4 REV F                                      |