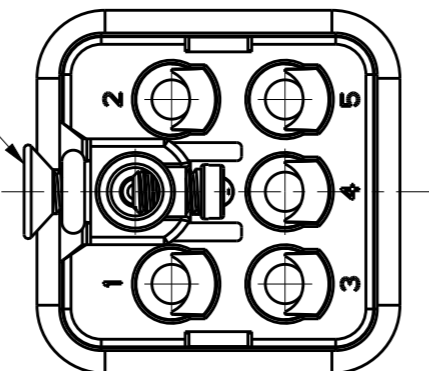


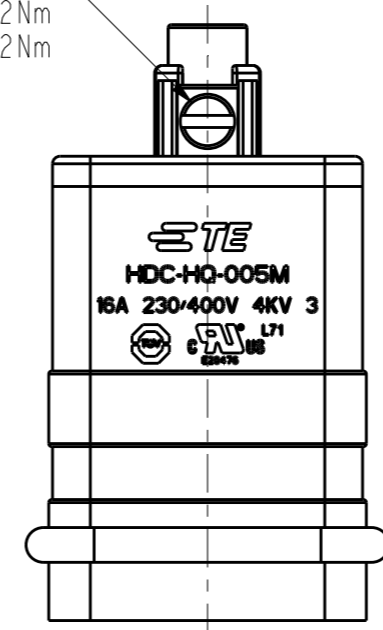
REVISIONS

P	LTR	DESCRIPTION	DATE	DWN	APVD
B1		ECR-15-016505	11NOV2015	DL	CW
B2		ECR-16-009730	06JUL2016	BS	CW
B3		ECR-16-018198	10FEB2017	QY	CW
B4		ECR-18-016602	08NOV2018	CH	CW

M3 SCREW, RECOMMENDED
TIGHTENING TORQUE 0.2Nm
M3螺丝, 推荐锁紧力矩0.2Nm



M3 SCREW, RECOMMENDED
TIGHTENING TORQUE 0.2Nm
M3螺丝, 推荐锁紧力矩0.2Nm

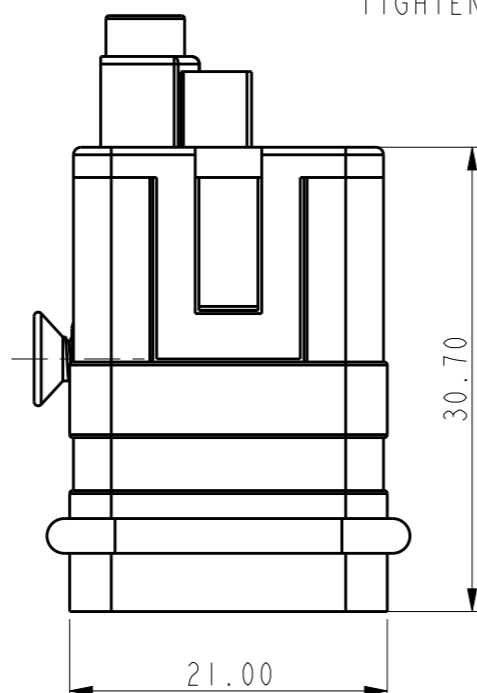
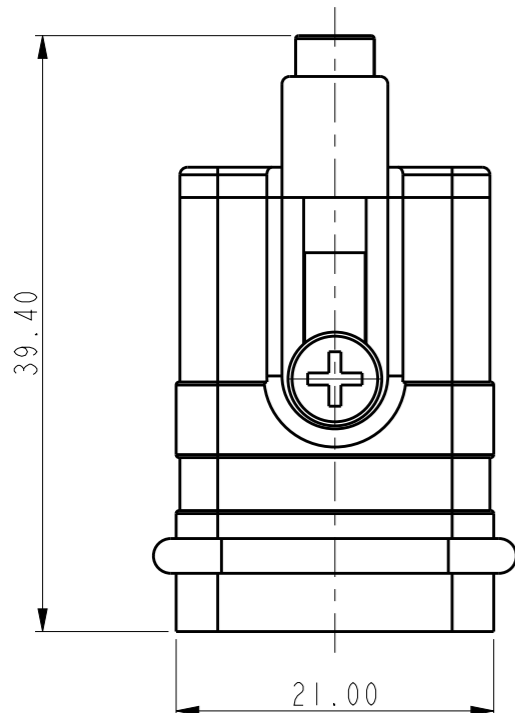


NOTES:

- TECHNICAL CHARACTERISTICS:
INSULATION MATERIAL: PC
RATED VOLTAGE: 400V
RATED CURRENT: 16A
INSULATION RESISTANCE: $\geq 400M\Omega$
RATED IMPULSE VOLTAGE: 4KV
POLLUTION DEGREE: 3
FLAMMABILITY: UL94V-0
MATING CYCLES: 500 CYCLES
WIRE RANGE: 0.14-4.0mm² (26-12AWG)
CONTACT TYPE: CRIMP CONTACT
- CONTACT NEED TO BE ORDERED SEPARATELY.
(ORDER No. REFER TO DRAWING: T20300X10XX000)

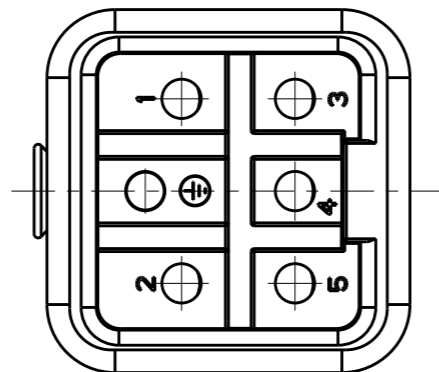
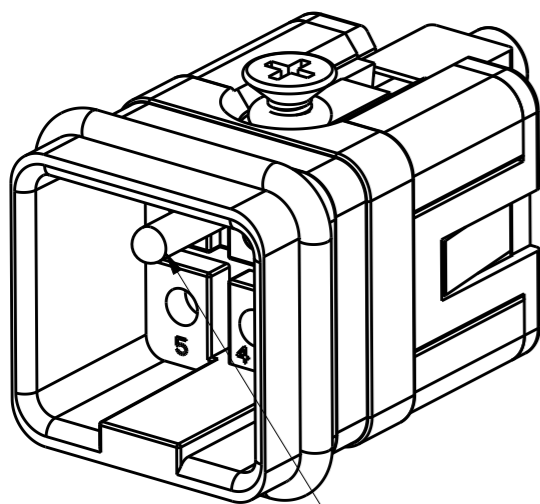
注释:

- 技术参数:
绝缘材料: PC
额定电压: 400V
额定电流: 16A
绝缘电阻: $\geq 400M\Omega$
额定脉冲电压: 4KV
污染等级: 3
阻燃等级: UL94V-0
插拔次数: 500次
接线范围: 0.14-4.0mm² (26-12AWG)
接线类型: 冷压接
- 端子需要单独订购。
(订货号参考图面: T20300X10XX000)



TYPE-1: T2080052101-000, TE LOGO
类型-1: T2080052101-000, TE LOGO

TYPE-2: T2080052101-001, STAINLESS STEEL SCREW, TE LOGO
类型-2: T2080052101-001, 不锈钢螺丝, TE LOGO



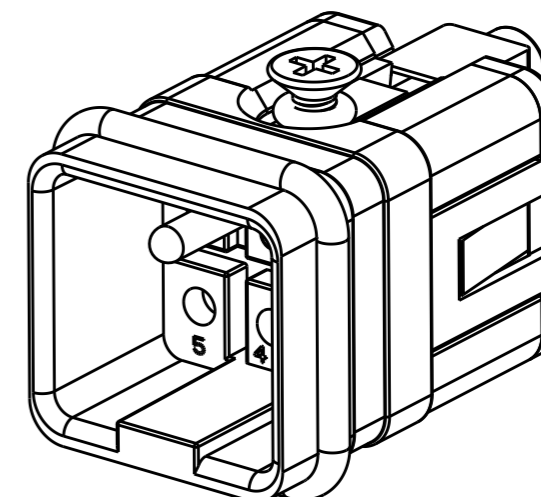
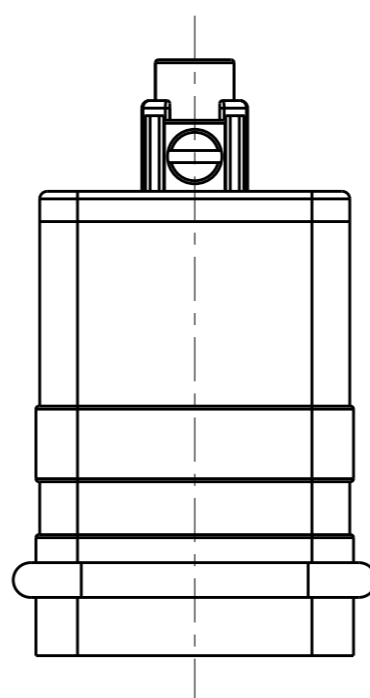
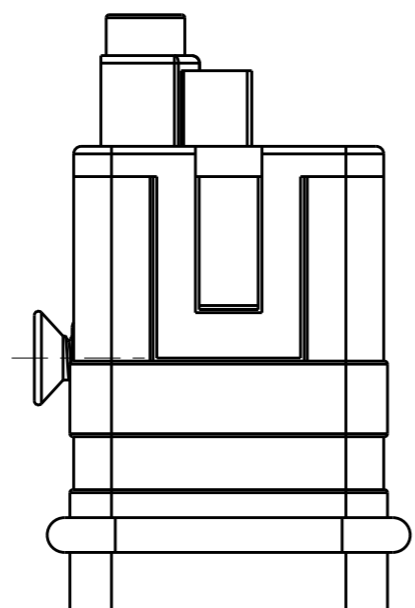
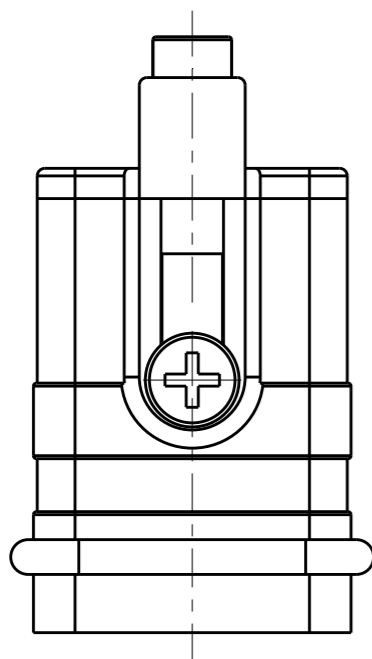
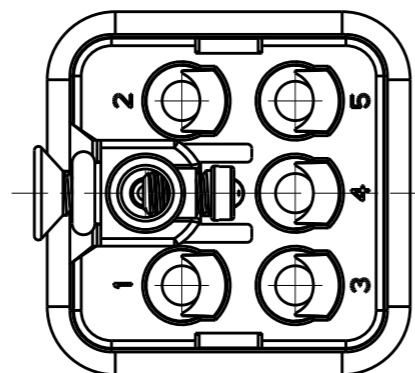
GROUNDING CONTACT TYPE: SCREW CONTACT
GROUNDING CONTACT FINISH: SILVER PLATED
WIRE RANGE: 2.5mm (AWG14)
接地端子类型: 螺丝连接端子 / 接地端子表面处理: 镀银 / 接线范围: 2.5mm² (AWG14)

THIS DRAWING IS A CONTROLLED DOCUMENT.		DWN	10JAN2015	TE Connectivity	
		DAVID.WANG	10JAN2015		
		CHK	CHRIS.WANG		
		APVD	XIANG.XU		
DIMENSIONS:		TOLERANCES UNLESS OTHERWISE SPECIFIED:		NAME	
mm				HQ-005-M	
		0 PLC	±-	PRODUCT SPEC	
		1 PLC	±-	108-137054	
		2 PLC	±-	APPLICATION SPEC	
		3 PLC	±-	114-137054	
		4 PLC	±-	WEIGHT	
		ANGLES	±-	-	
MATERIAL		FINISH		SIZE	RESTRICTED TO
-		-		A3	-
-		-		CAGE CODE	DRAWING NO
				00779	©-T2080052101000
				SCALE	SHEET
				1:1	1 OF 2
				REV	B4
				Customer Drawing	

REVISIONS

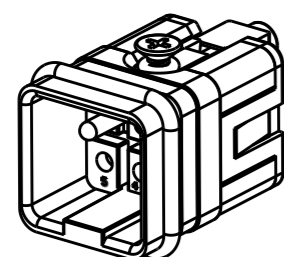
P	LTR	DESCRIPTION	DATE	DWN	APVD
-	-	SEE SHEET 1	-	-	-

NOTES:
SEE SHEET 1



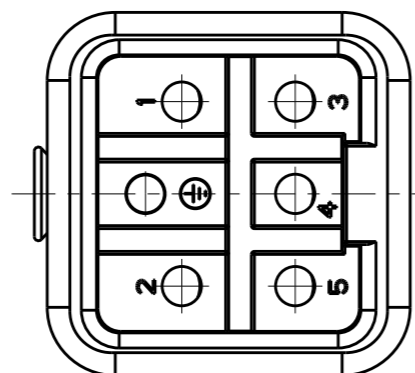
TYPE-4: T2080052101-003, THIS TYPE IS SAME AS TYPE-1, ONLY DIFFERENT MALE GROUNDING CONTACT.
 类型-4: T2080052101-003, 此类型同类型-1, 只是公接地针不同.

ALL DIMENSIONS ARE SAME AS TYPE-1, EXCEPT THOSE DEFINED IN THIS TYPE.
 除了在本类型中定义的尺寸外, 其它尺寸同类型-1



SCALE 1:1

TYPE-3: T2080052101-002, STAINLESS STEEL SCREW, NO LOGO
 类型-3: T2080052101-002, 不锈钢螺丝, 无LOGO



T2080052101-003	HQ-005-M	HQ-005 MALE INSERT HQ-005 公插	TYPE-4 类型-4
T2080052101-002	HQ-005-M	HQ-005 MALE INSERT, STAINLESS STEEL SCREW, NO LOGO HQ-005 公插, 不锈钢螺丝, 无LOGO	TYPE-3 类型-3
T2080052101-001	HQ-005-M	HQ-005 MALE INSERT, STAINLESS STEEL SCREW HQ-005 公插, 不锈钢螺丝	TYPE-2 类型-2
T2080052101-000	HQ-005-M	HQ-005 MALE INSERT HQ-005 公插	TYPE-1 类型-1
PART NUMBER 料号	PART DESCRIPTION 描述		TYPE 类型

THIS DRAWING IS A CONTROLLED DOCUMENT.		DWN DAVID.WANG 10JAN2015				
DIMENSIONS: mm		CHK CHRIS.WANG 10JAN2015				
TOLERANCES UNLESS OTHERWISE SPECIFIED:		APVD XIANG.XU 10JAN2015				
0 PLC ±- 1 PLC ±- 2 PLC ±- 3 PLC ±- 4 PLC ±- ANGLES ±-		NAME HQ-005-M				
MATERIAL	FINISH	PRODUCT SPEC 108-137054	SIZE A3	CAGE CODE 00779	DRAWING NO C-T2080052101000	RESTRICTED TO
-	-	APPLICATION SPEC 114-137054	SCALE 2:1		SHEET 2 OF 2	REV B4
-	-	WEIGHT -	Customer Drawing			