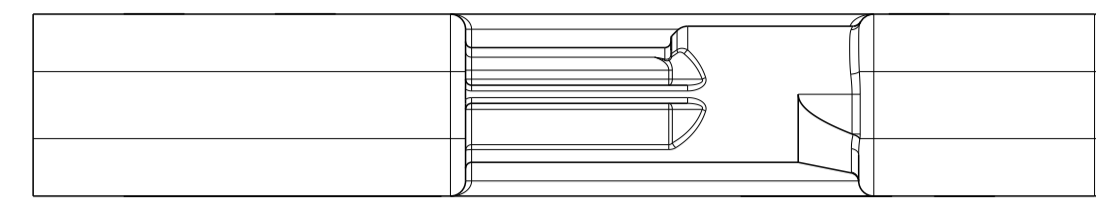
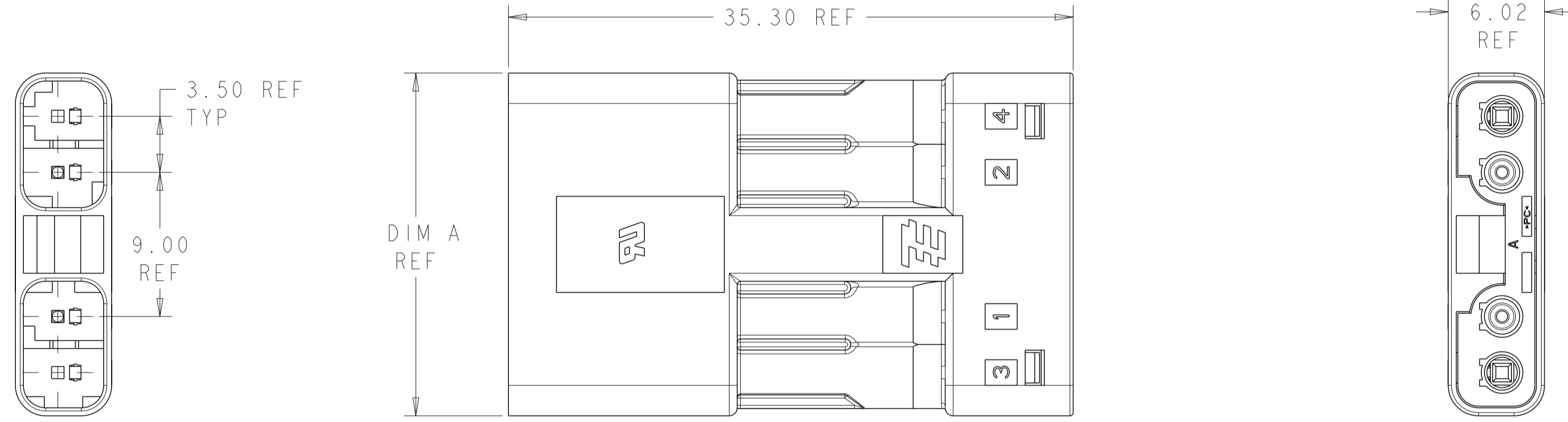


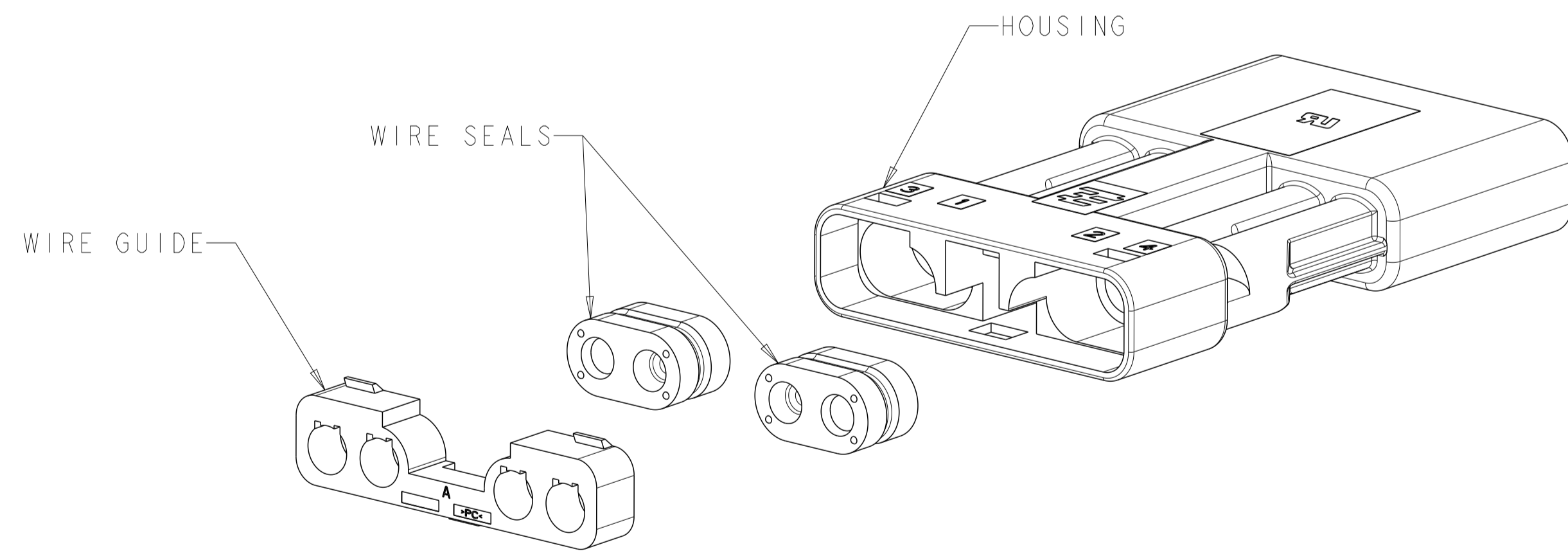
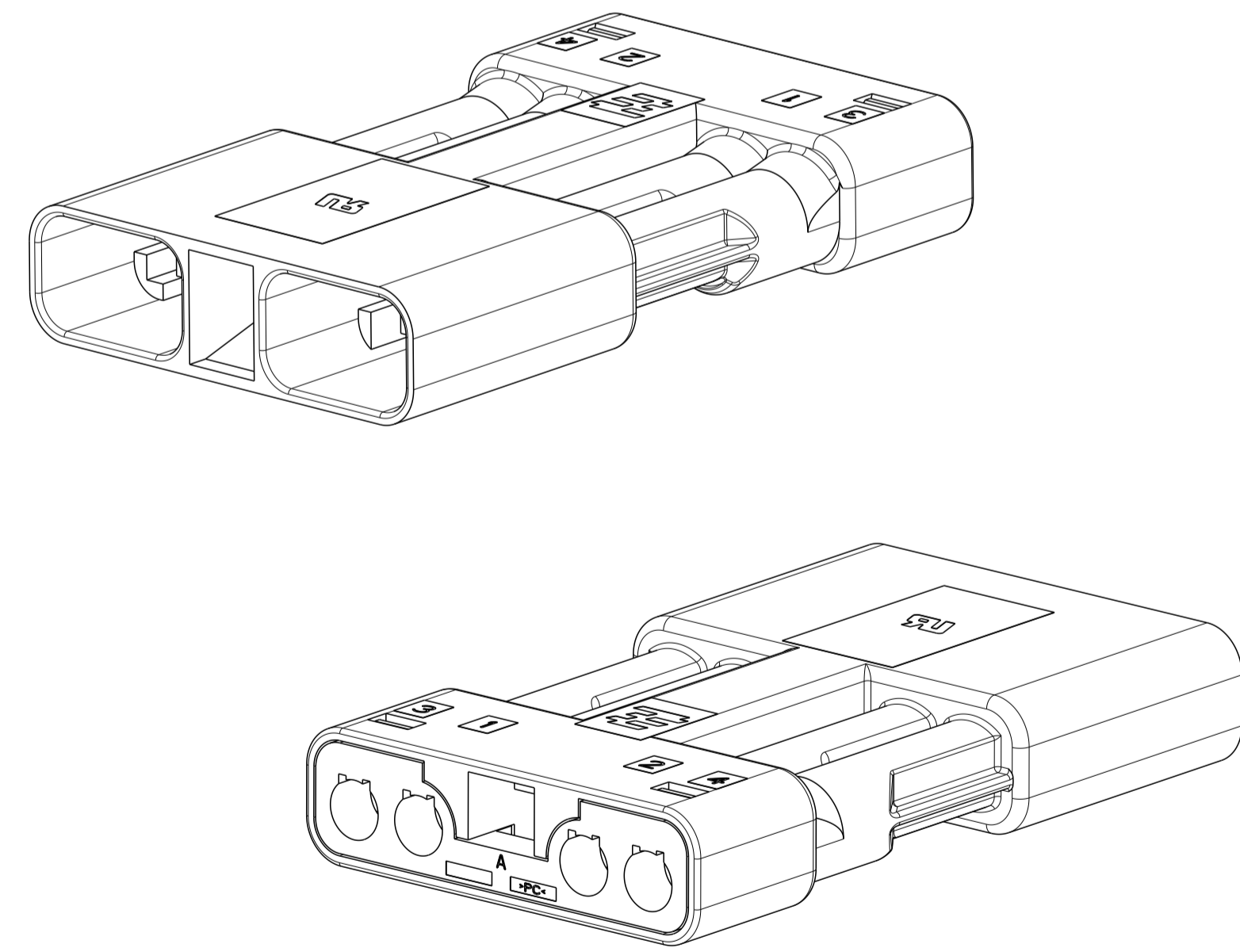
| LOC | | DIST | | REVISIONS | | | |
|-----|-----|---------------------------|-----------|-----------|------|--|--|
| P | LTN | DESCRIPTION | DATE | DMN | APVD | | |
| A1 | | REVISED PER ECO-11-004820 | 11MAR2011 | RK | HMR | | |
| A2 | | REVISED PER ECR-12-017779 | 19OCT2012 | RS | DD | | |



- ⚠ MATERIALS:
 HOUSING: POLYCARBONATE, FI PER UL 746C,
 COLOR: BLACK
 WIRE GUIDE: POLYCARBONATE, FI PER UL 746C,
 COLOR: BLACK
 WIRE SEALS: SILICONE RUBBER, COLOR: BLUE
- THIS PART HAS NOT COMPLETED VALIDATION TESTING.
 - MUST COMPLY WITH DIRECTIVE 2002/95/EC (ROHS).



2106136-4 SHOWN



| | | |
|-------|------------|-------------|
| 21.40 | 4 | 2106136-4 |
| 17.90 | 3 | 2106136-3 |
| 14.40 | 2 | 2106136-2 |
| DIM A | NO OF POSN | PART NUMBER |

THIS DRAWING IS A CONTROLLED DOCUMENT. DMN R BROWN 16FEB2009
 CHK A BUCHER 16FEB2009

STE TE Connectivity

NAME ASSEMBLY, RECEPTACLE, FREE HANGING, SLIMSEAL SSL CONNECTOR

PRODUCT SPEC 108-2391
 APPLICATION SPEC 114-13261

SIZE CAGE CODE DRAWING NO RESTRICTED TO
 A100779C=2106136

MATERIAL FINISH
 CUSTOMER DRAWING SCALE 4:1 SHEET 1 OF 1 REV A2