

PLEASE CHECK WWW.MOLEX.COM FOR LATEST PART INFORMATION

Part Number: **0525594033**
Status: **Active**
Overview: FFC-FPC (SMT)
Description: Easy-On™ Type FFC/FPC Connector, Vertical, Surface Mount, ZIF, 40 Circuits, with Tape Packaging Center Placement Holes

Documents:

[3D Model](#) [Packaging Specification SPK-52559-003 \(PDF\)](#)
[Drawing \(PDF\)](#) [RoHS Certificate of Compliance \(PDF\)](#)
[Product Specification PS-52559-019 \(PDF\)](#)

Agency Certification

UL E29179

General

Product Family FFC/FPC Connectors
Series 52559
Overview FFC-FPC (SMT)
Product Name Easy-On™
UPC 887191289908

Physical

Circuits (Loaded) 40
Color - Resin Natural
Contact Position N/A
Durability (mating cycles max) 20
Entry Angle Vertical
Flammability 94V-0
Mated Height 3.90mm
Material - Metal Phosphor Bronze
Material - Plating Mating Silver, Tin-Bismuth
Material - Plating Termination Silver, Tin-Bismuth
Material - Resin Nylon
Net Weight 471.542/mg
Number of Rows 1
Orientation Vertical
PC Tail Length 2.00mm
PCB Locator No
PCB Retention Yes
Packaging Type Embossed Tape on Reel
Pitch - Mating Interface 0.50mm
Pitch - Termination Interface 0.50mm
Polarized to PCB No
Stackable No
Temperature Range - Operating -40°C to +85°C
Termination Interface: Style Surface Mount
Wire/Cable Type FFC/FPC

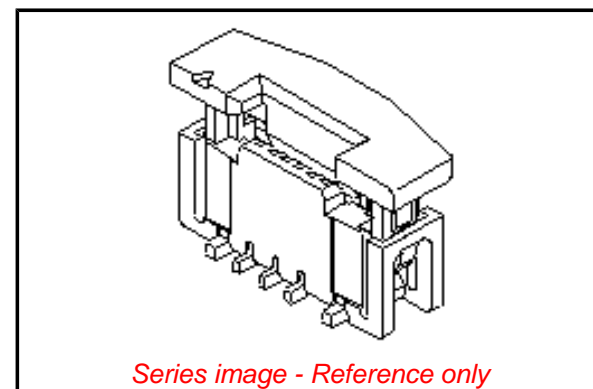
Electrical

Current - Maximum per Contact 0.5A
Voltage - Maximum 50V

Material Info

Reference - Drawing Numbers

Packaging Specification SPK-52559-003
Product Specification PS-52559-019, RPS--52559-093
Sales Drawing SD-52559-057, SD-52559-058



Series image - Reference only

EU ELV

Not Relevant

EU RoHS

Compliant

REACH SVHC

Contains SVHC(2014 December 17): No

Halogen-Free

Status

Not Low-Halogen

Need more information on product environmental compliance?

Email productcompliance@molex.com
Please visit the [Contact Us](#) section for any non-product compliance questions.

China ROHS

ELV

Green Image

Not Relevant

Search Parts in this Series

[52559 Series](#)

Mates With

http://www.molex.com/product/premoflex_ffc-fpc.html>Molex Premo-Flex FFC. Be sure to match like plating

This document was generated on 06/22/2015

PLEASE CHECK WWW.MOLEX.COM FOR LATEST PART INFORMATION