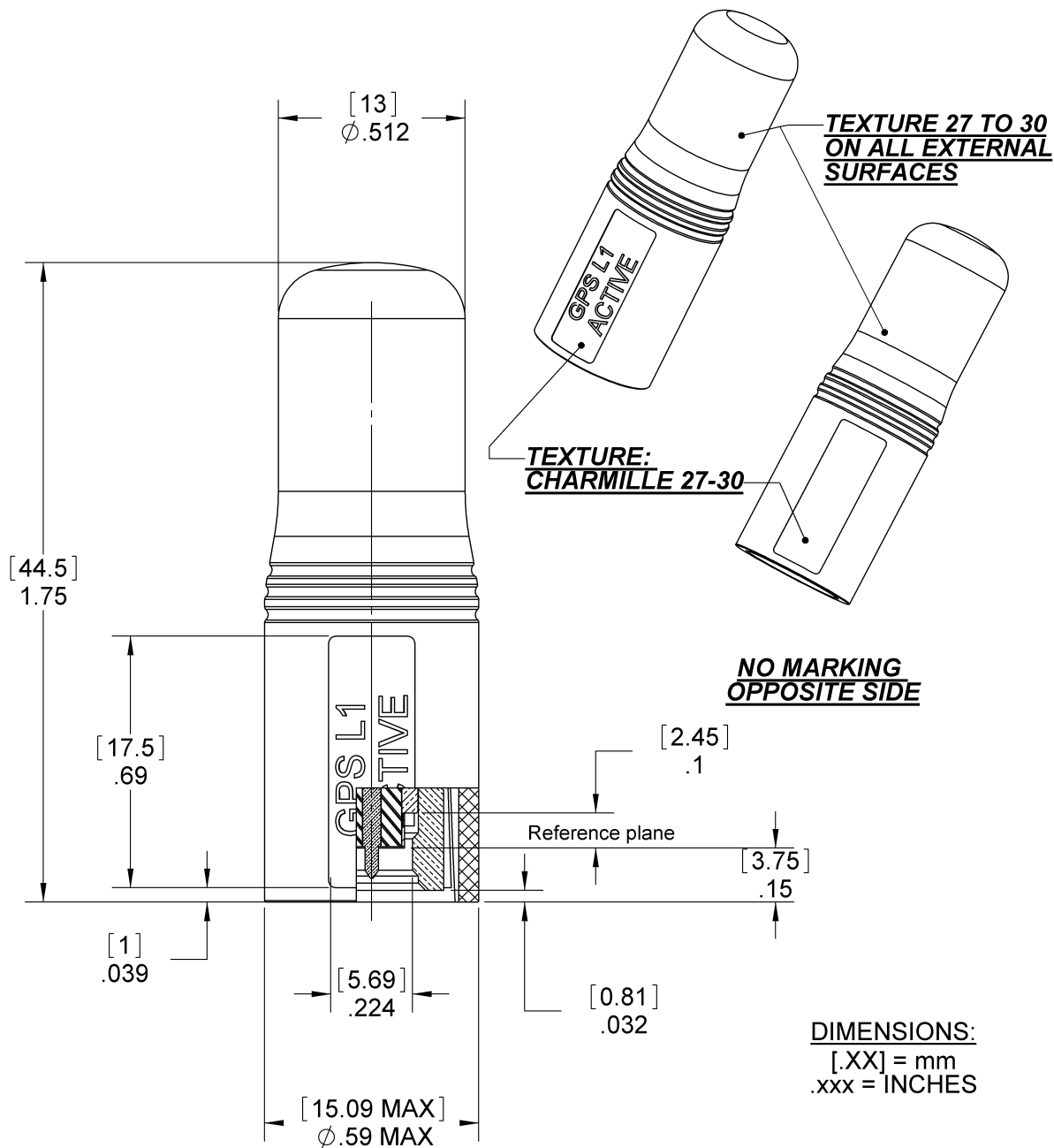


GPS L1 ACTIVE ANTENNA - ROHS

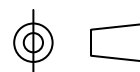
**R380.300.013**

SMA MOUNT

Series : ANTENNA



All dimensions are in mm / [inches].



Issue : 1111

In the effort to improve our products, we reserve the right to make changes judged to be necessary.



**GPS L1 ACTIVE ANTENNA - ROHS**

**R380.300.013**

**SMA MOUNT**

Series : **ANTENNA**

**ELECTRICAL CHARACTERISTICS**

Frequency :.....	<b>GPS L1 (1575.42) MHz</b>
Nominal Impedance:.....	<b>50 Ω</b>
VSWR:.....	<b>2.5:1 Max</b>
Gain:	
Radiating Element only :.....	<b>- 5 dBic ± 1 dB</b>
Active Gain (LNA) – Fig 1 :.....	<b>16 dB</b>
Polarization : .....	<b>RHCP</b>
Radiation Pattern:.....	<b>Hemi-spherical</b>
3 dB Beamwidth (both planes) : .....	<b>120° x 120°</b>
P1 dB compression	<b>-14 dBm</b>
Noise Figure (LNA) :.....	<b>1.5 dB</b>
DC Input Power : .....	<b>2.7 V Min</b>
	<b>3.5 V max</b>
Connector type :.....	<b>SMA Plug</b>

**MECHANICAL CHARACTERISTICS**

Plastic radome : .....	<b>Ultem 1000</b>
Color : .....	<b>Black</b>
Weight : .....	<b>30 g</b>
Overall length : .....	<b>&lt; 1.77 in</b>
	<b>&lt; 45 mm</b>

**ENVIRONMENTAL CHARACTERISTICS**

*Product in Conformity with the ROHS requirements (Restriction of Hazardous Substances)*

Operating temperature :.....	<b>-40 to +71 ° C</b>
Temperature Rate :.....	<b>5°C/mn</b>
Humidity	
Relative : .....	<b>5% to 100% Condensing</b>
Absolute : .....	<b>60 g/m<sup>3</sup></b>
Immersion :.....	<b>20 m</b>

**GPS L1 ACTIVE ANTENNA - ROHS**

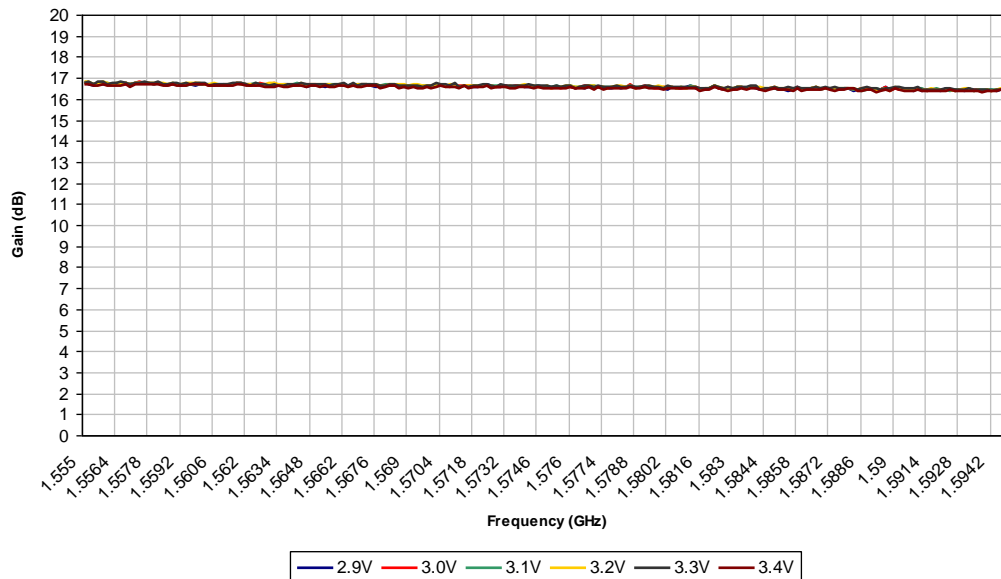
**R380.300.013**

**SMA MOUNT**

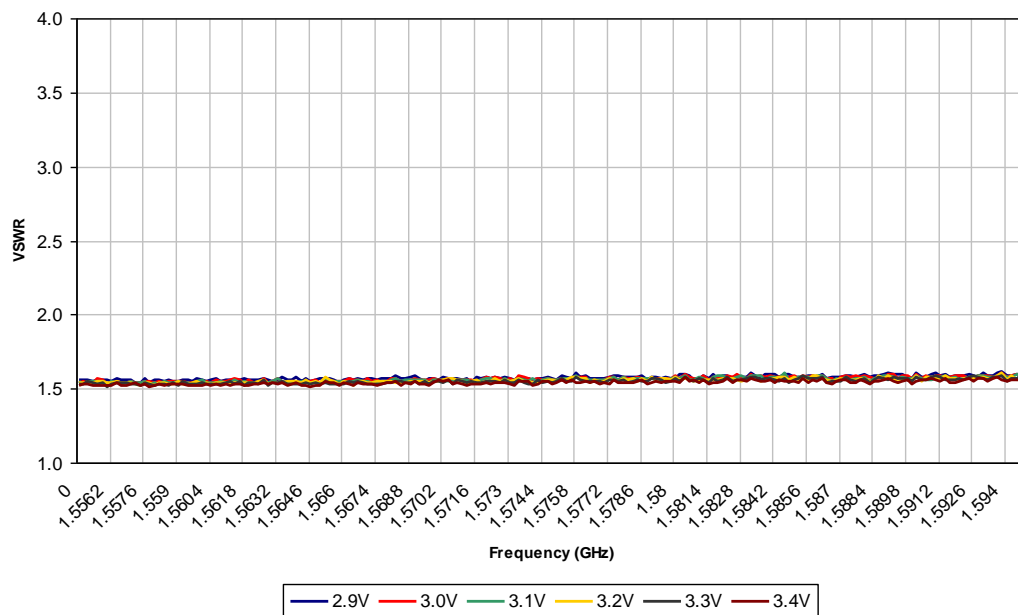
Series : ANTENNA

**ELECTRICAL CHARACTERISTICS:**

Pre-Amp Circuit alone



**Fig 1: LNA Gain vs DC input voltage**



**Fig 2: Output VSWR vs DC input voltage**

Issue : 1111

In the effort to improve our products, we reserve the right to make changes judged to be necessary.

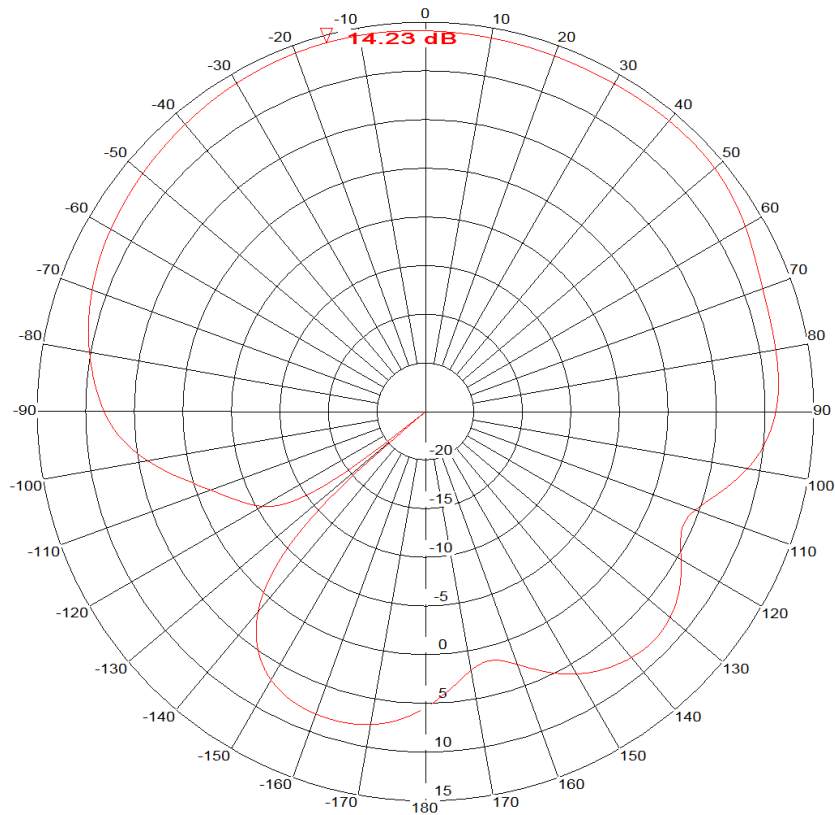


**GPS L1 ACTIVE ANTENNA - ROHS**

**R380.300.013**

**SMA MOUNT**

Series : ANTENNA



**Fig 3: Typical RHCP @ 1575 MHz**

**Issue : 1111**

In the effort to improve our products, we reserve the right to make changes judged to be necessary.

