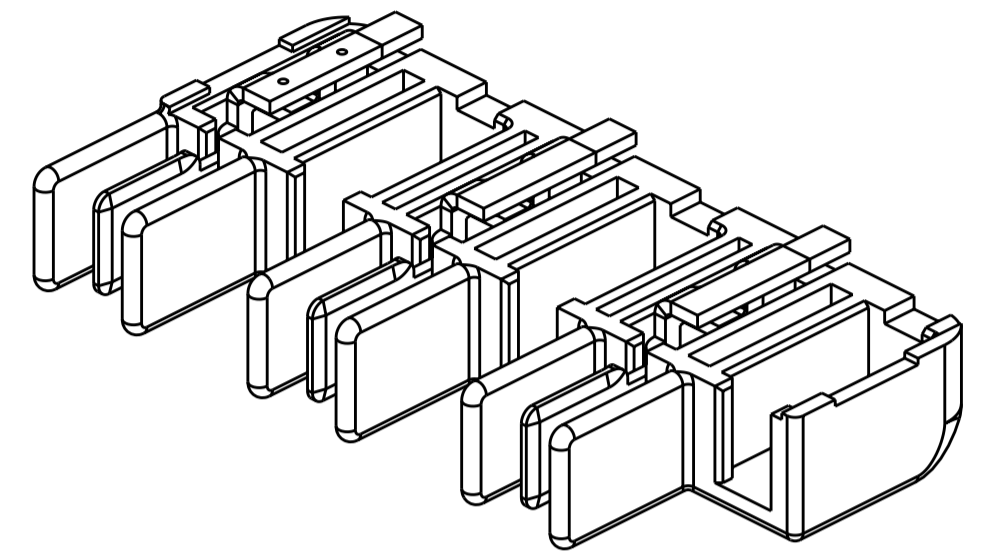
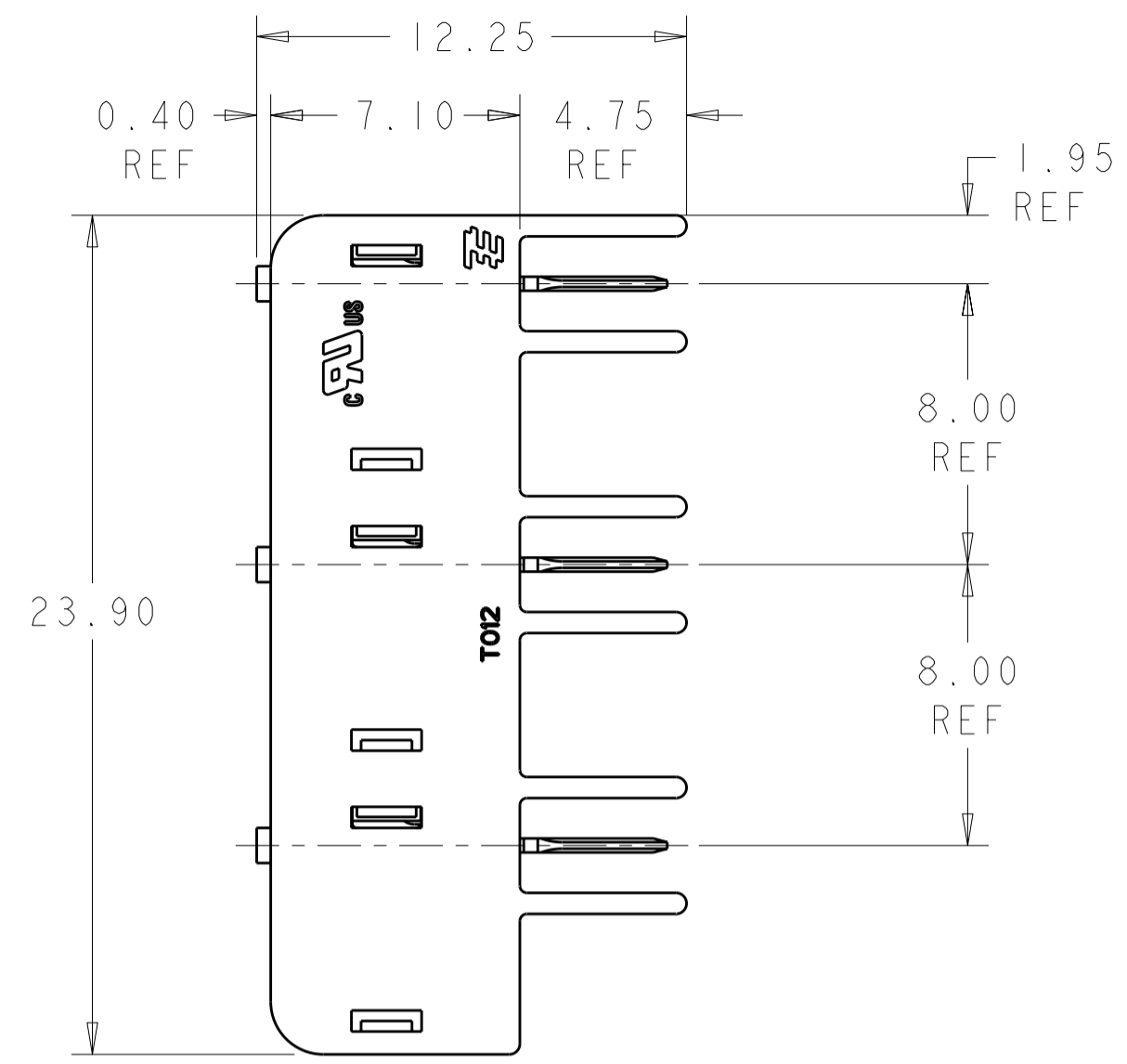


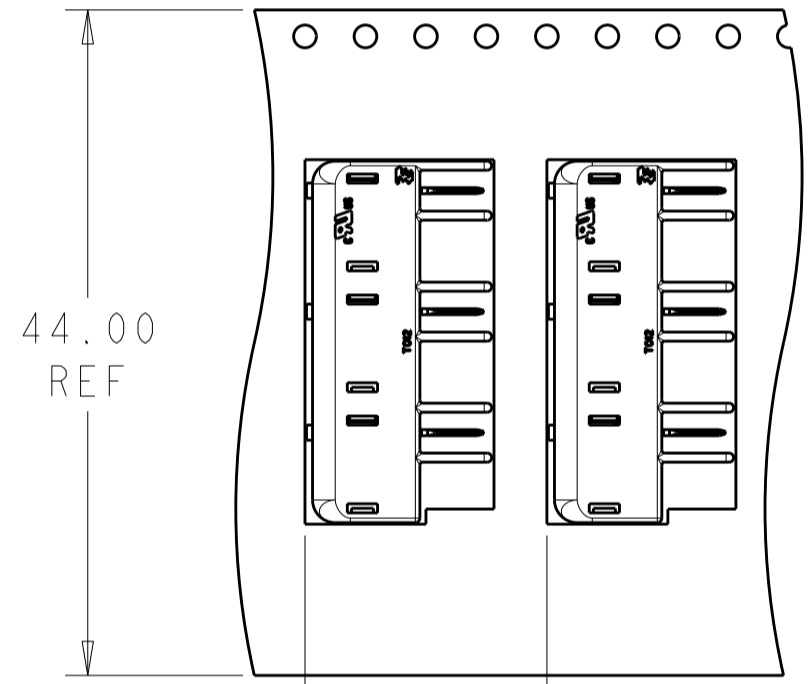
THIS DRAWING IS UNPUBLISHED. RELEASED FOR PUBLICATION 20
 © COPYRIGHT 20 BY TYCO ELECTRONICS CORPORATION. ALL RIGHTS RESERVED.

LOC		DIST		REVISIONS			
P	LTR	DESCRIPTION	DATE	DWN	APVD		
5		UPDATED VIEWS, 4.13 DIM WAS 4.17	31MAR2010	RB	RN		

- NOTES:
- 1. MATERIALS AND FINISH
 - HOUSING: LCP
 - CONTACTS: COPPER ALLOY, FINISH: TIN
 - 2. PRODUCT TO COMPLY WITH DIRECTIVE 2002/95/EC (ROHS)
 - 3. PACKAGED IN TAPE AND REEL PER EIA-481 SPECIFICATIONS

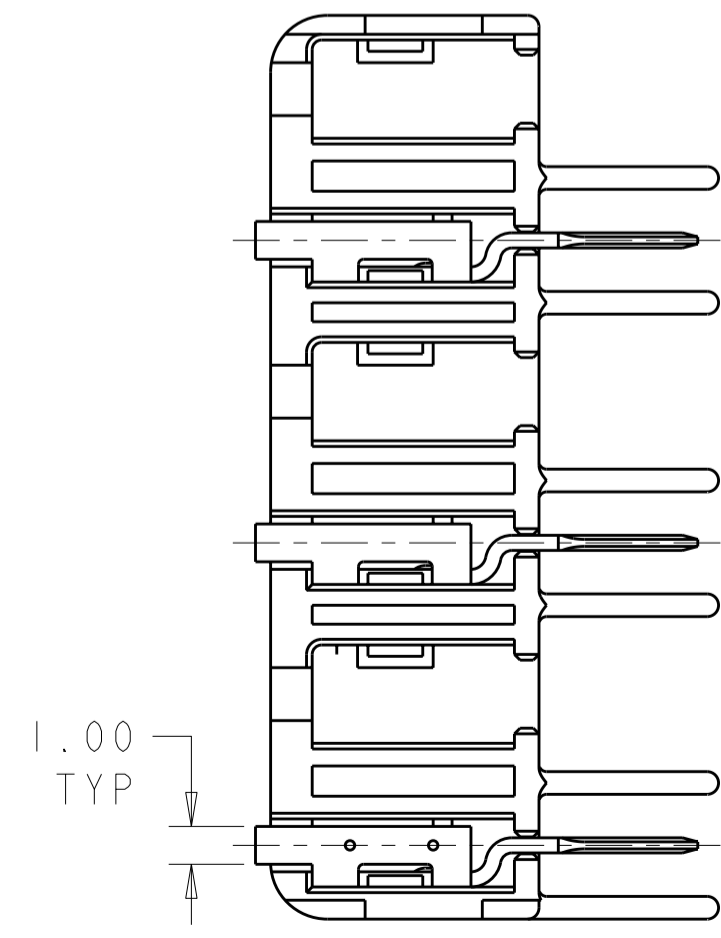
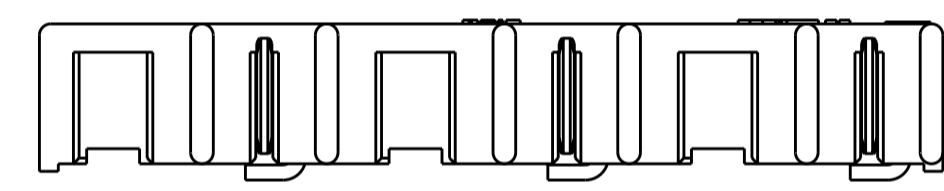
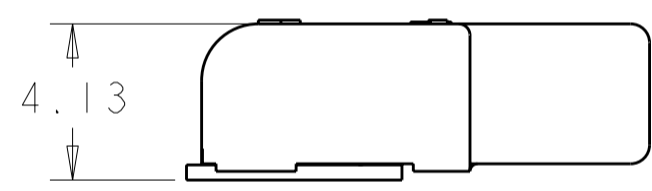


2106033-1
SHOWN



SCALE 2:1

TO BE PACKAGED AS SHOWN



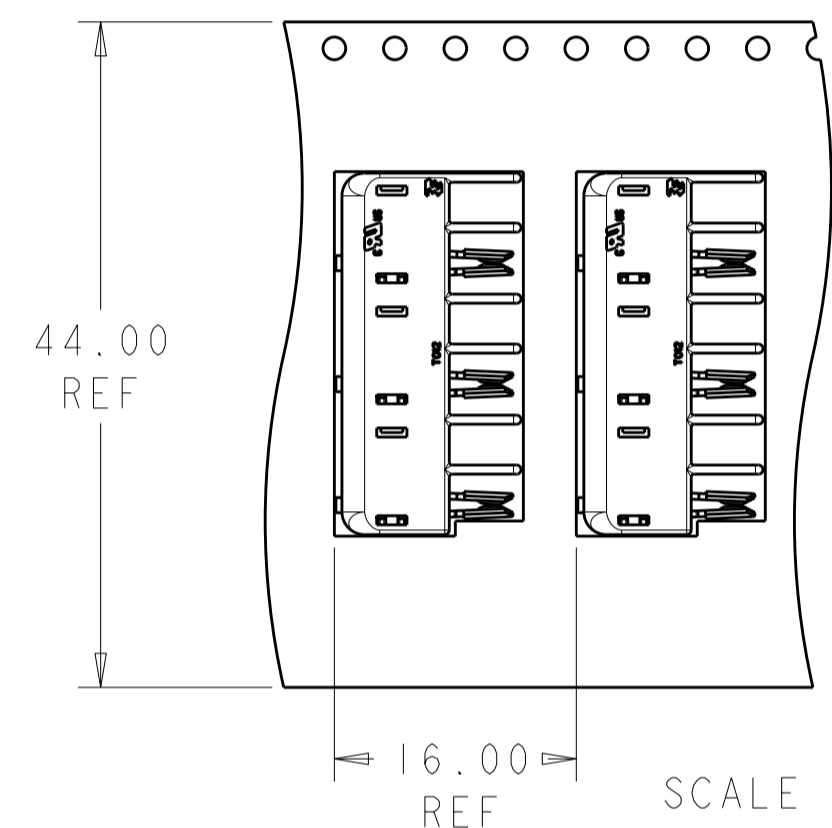
DESIGN APPROVED THIS PRINT IS
PRELIMINARY
 TO FIRST PIECE APPROVAL
 CONTACT PRODUCT ENGINEERING
 BEFORE USING THIS PRINT

2106033-1
PART NO.

<small>THIS DRAWING IS A CONTROLLED DOCUMENT FOR TYCO ELECTRONICS CORPORATION IT IS SUBJECT TO CHANGE AND THE CONTROLLING ENGINEERING ORGANIZATION SHOULD BE CONTACTED FOR THE LATEST REVISION.</small>		DWN S. FISHER 10NOV2008 CHK R. NARANG 01NOV2008 APVD R. NARANG 12NOV2008	Tyco Electronics Harrisburg, PA 17105-3608
DIMENSIONS: mm	TOLERANCES UNLESS OTHERWISE SPECIFIED: 0 PLC ± 1 PLC ±.13 2 PLC ±.013 3 PLC ±.013 4 PLC ± ANGLES ± FINISH	PRODUCT SPEC 108-2342 APPLICATION SPEC 114-13225 WEIGHT -	NAME CONNECTOR ASSEMBLY, SELECT LOADING, 6 POSITION, BLADE AND RECEPTACLE
MATERIAL	CUSTOMER DRAWING	SCALE 5:1	RESTRICTED TO - SHEET 1 OF 3 REV 5

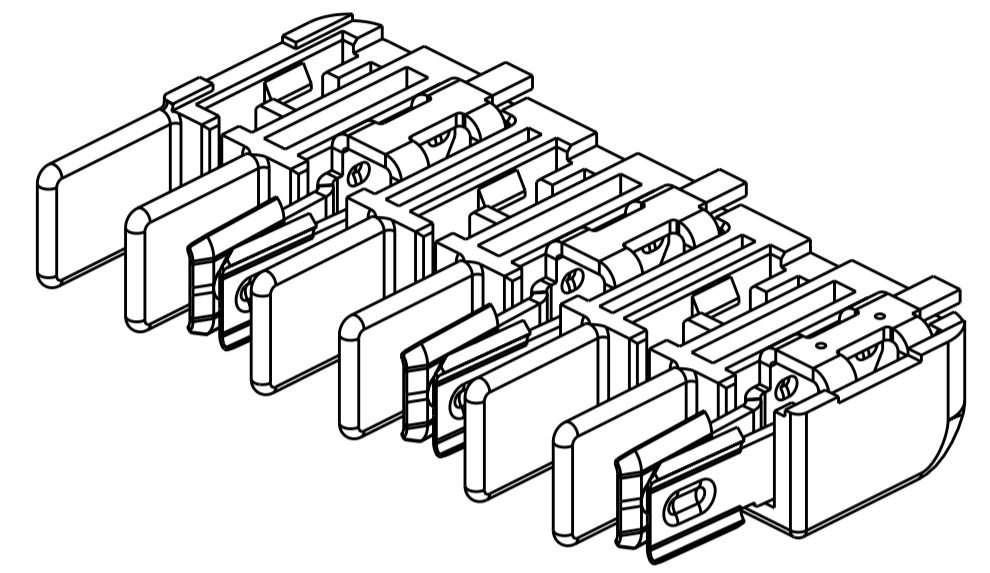
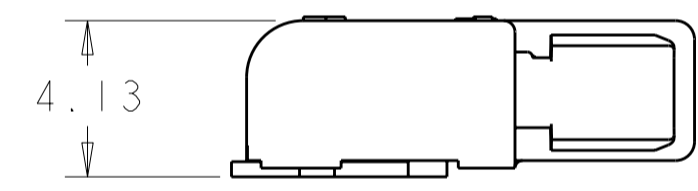
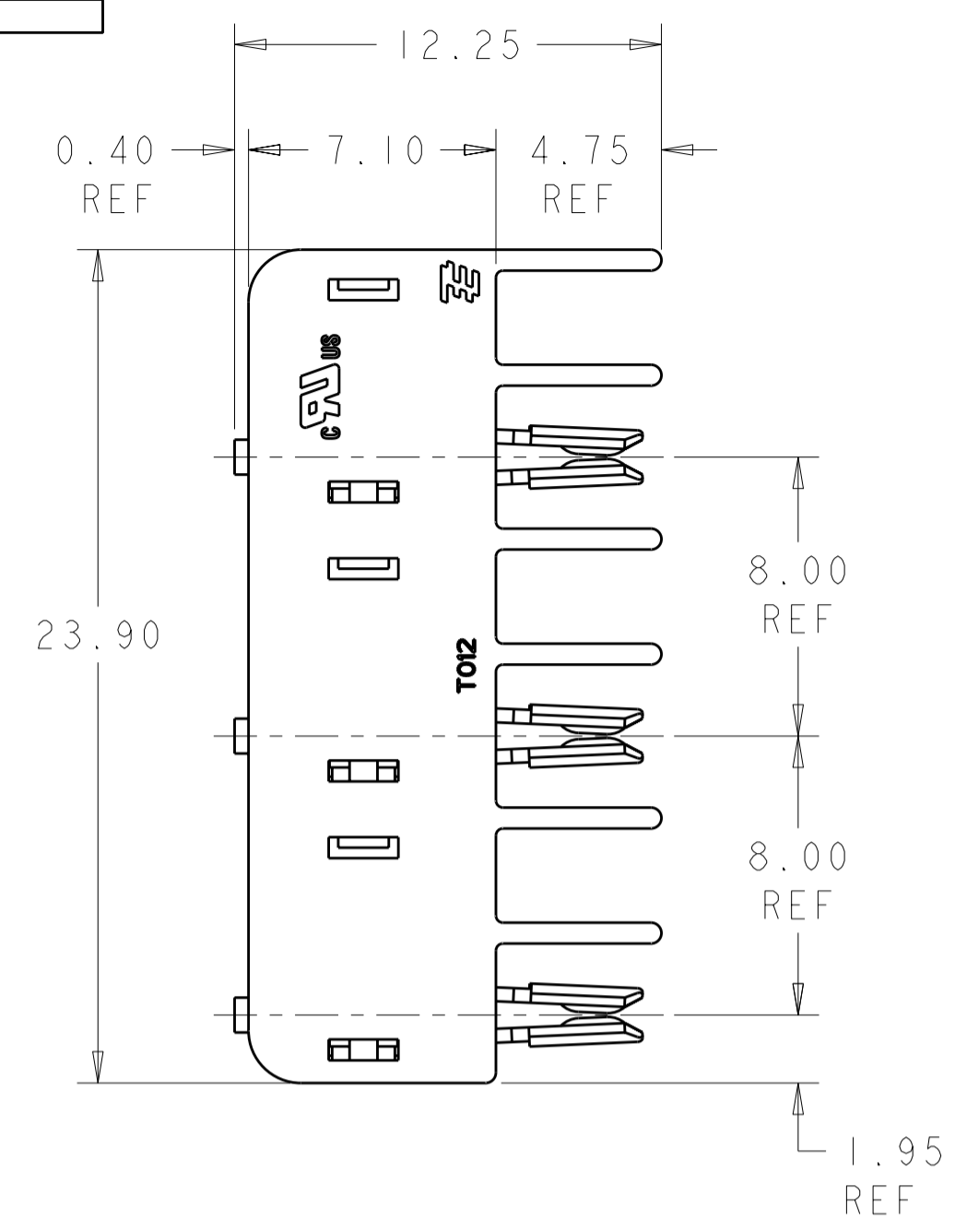
THIS DRAWING IS UNPUBLISHED. RELEASED FOR PUBLICATION 20
 © COPYRIGHT 20 BY TYCO ELECTRONICS CORPORATION. ALL RIGHTS RESERVED.

LOC		DIST		REVISIONS			
P	LTR	DESCRIPTION	DATE	DWN	APVD		
-	-	SEE SHEET 1	-	-	-		

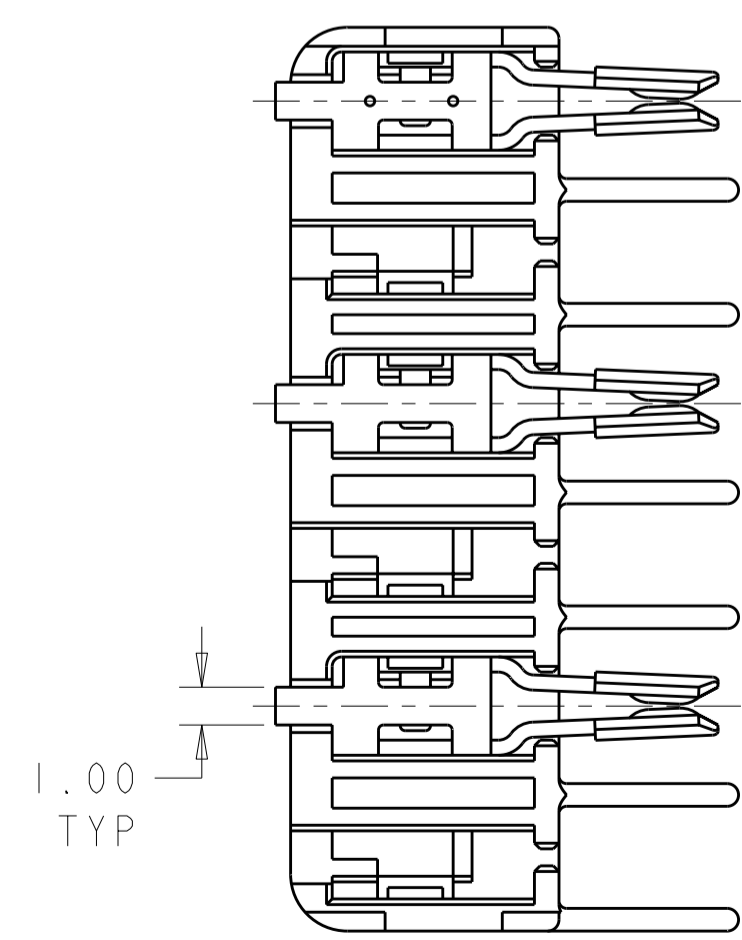
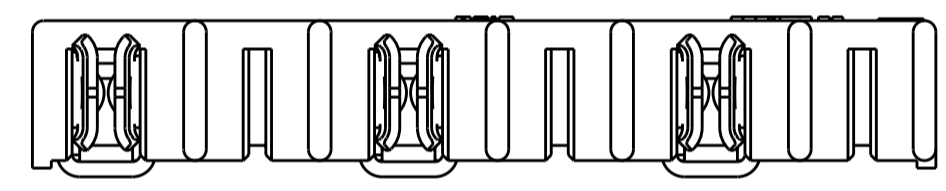


SCALE 2:1

TO BE PACKAGED AS SHOWN



2106033-2 SHOWN



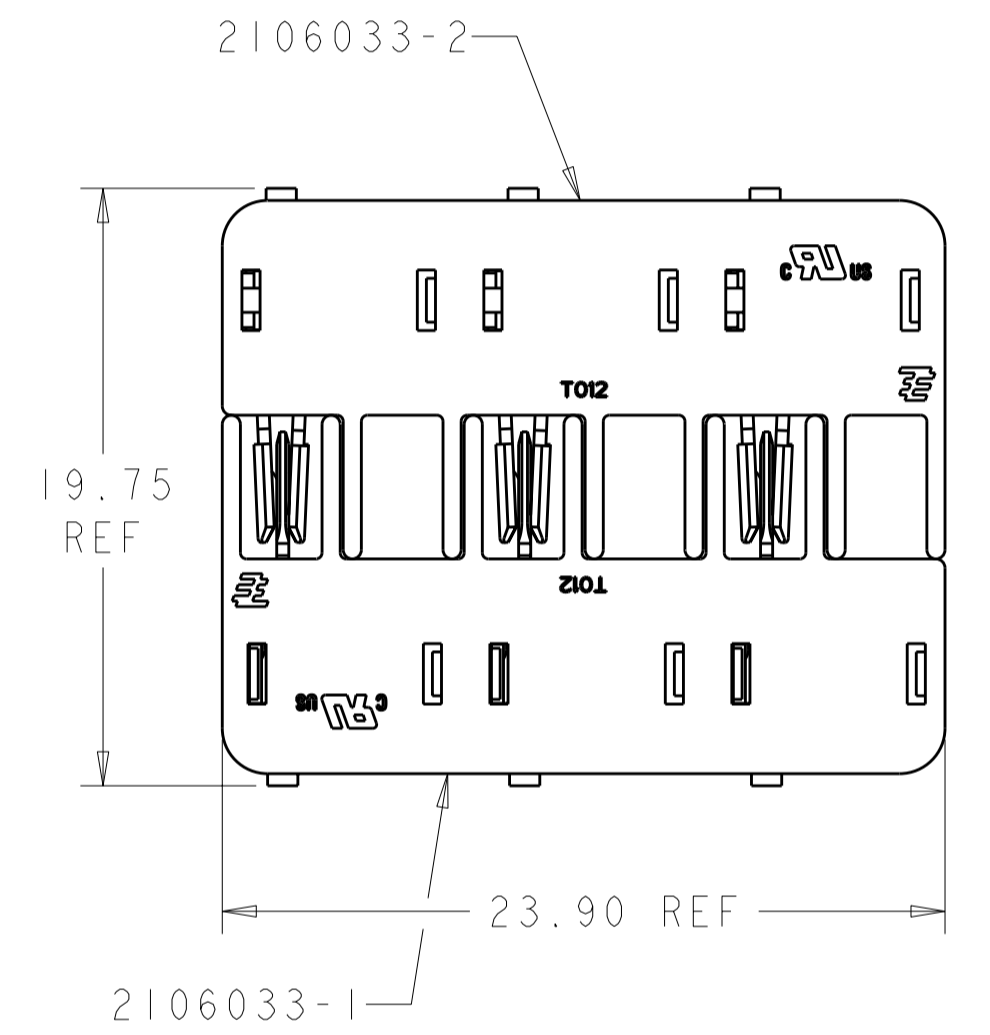
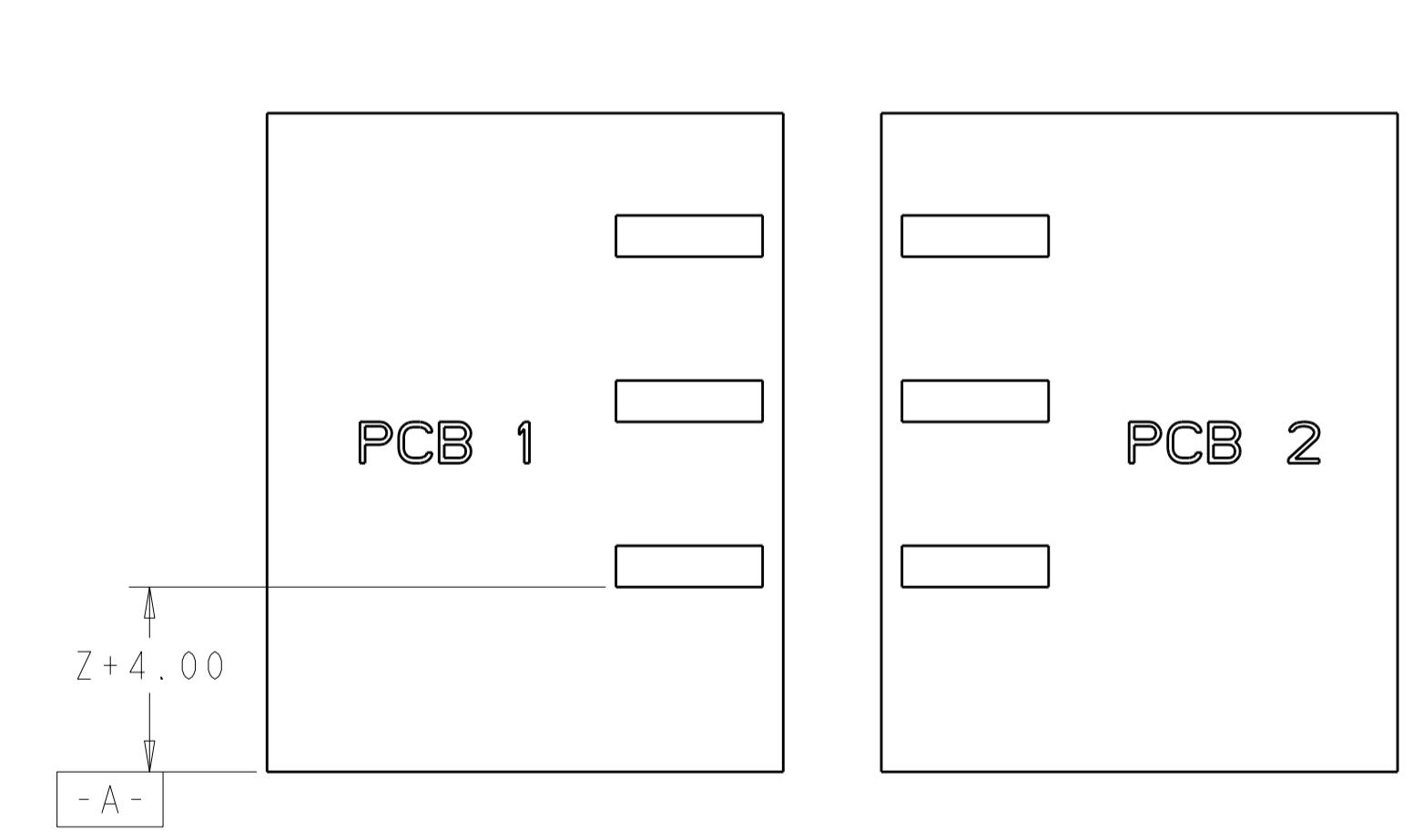
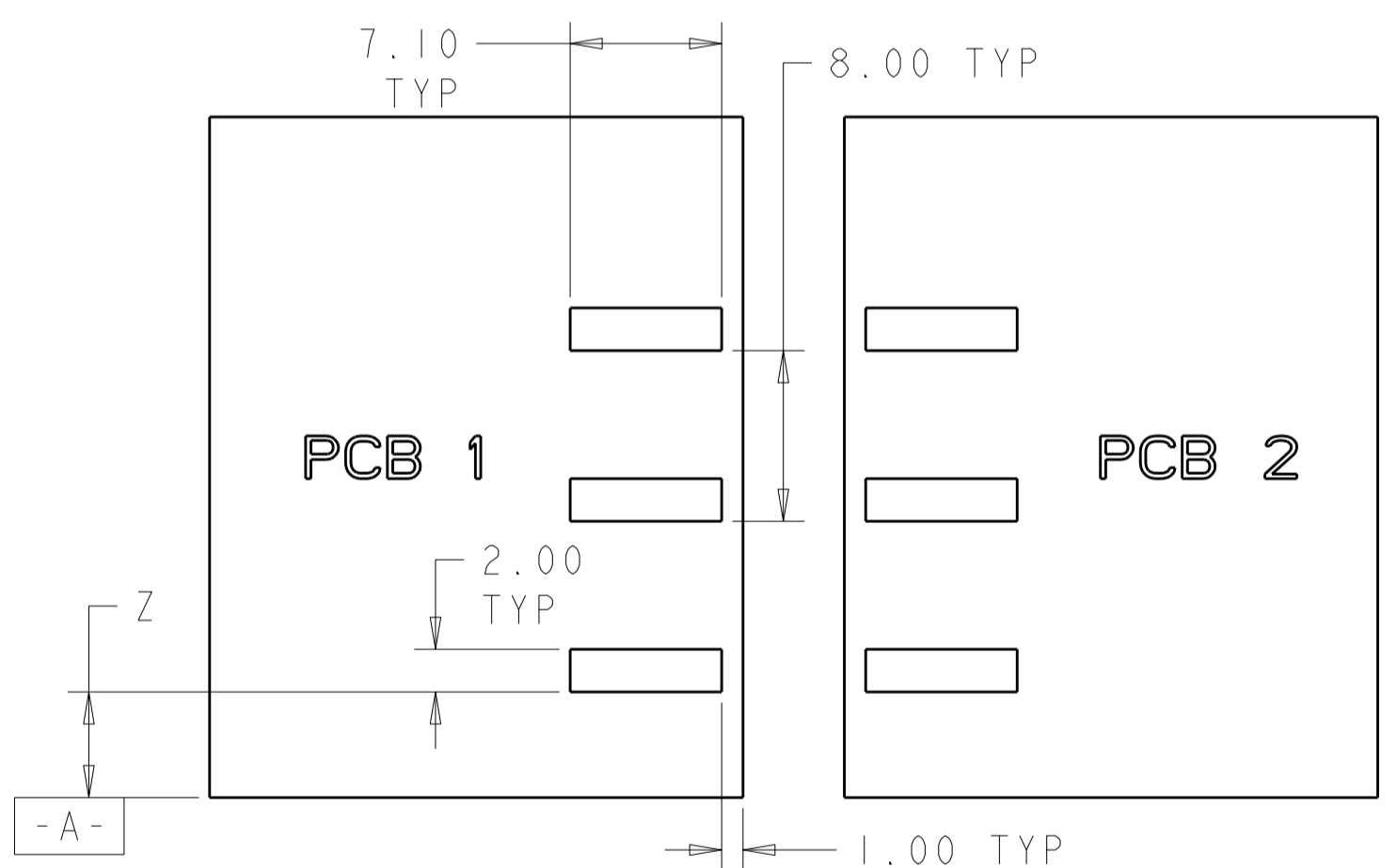
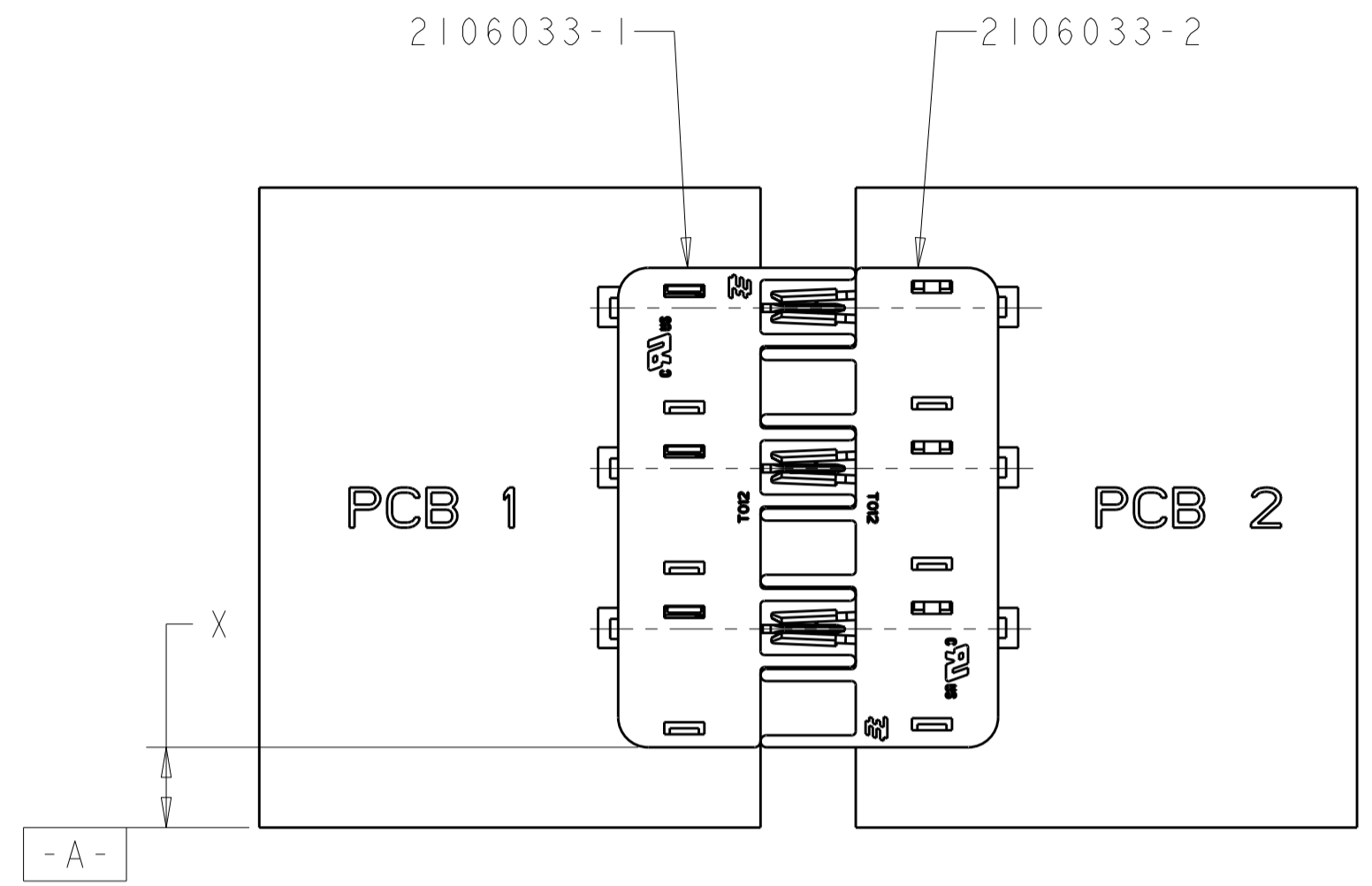
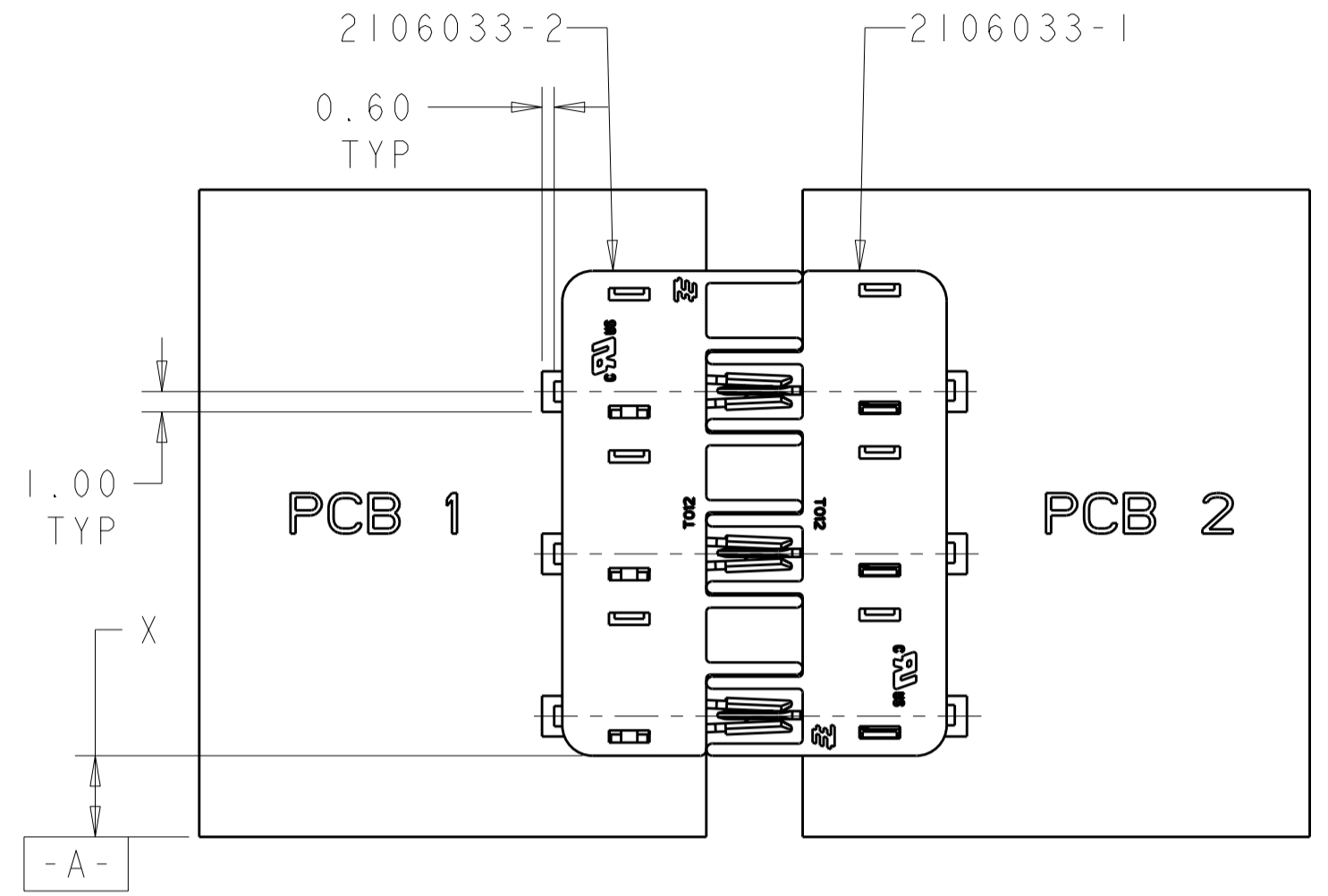
DESIGN APPROVED THIS PRINT IS
PRELIMINARY
 TO FIRST PIECE APPROVAL
 CONTACT PRODUCT ENGINEERING
 BEFORE USING THIS PRINT

2106033-2
 PART NO.

<small>THIS DRAWING IS A CONTROLLED DOCUMENT FOR TYCO ELECTRONICS CORPORATION. IT IS SUBJECT TO CHANGE AND THE CONTROLLING ENGINEERING ORGANIZATION SHOULD BE CONTACTED FOR THE LATEST REVISION.</small>		DWN S. FISHER 10NOV2008 CHK R. NARANG 10NOV2008 APVD R. NARANG 12NOV2008	Tyco Electronics Harrisburg, PA 17105-3608
DIMENSIONS: mm	TOLERANCES UNLESS OTHERWISE SPECIFIED: 0 PLC ± 1 PLC ±.13 2 PLC ±.13 3 PLC ±.013 4 PLC ± ANGLES ± FINISH	PRODUCT SPEC 108-2342 APPLICATION SPEC 114-13225 WEIGHT - CUSTOMER DRAWING	NAME CONNECTOR ASSEMBLY, SELECT LOADING, 6 POSITION, BLADE AND RECEPTACLE SIZE A200779 CAGE CODE C-2106033 DRAWING NO. 2106033 RESTRICTED TO -
		SCALE 5:1	SHEET 2 OF 3 REV 5

THIS DRAWING IS UNPUBLISHED. RELEASED FOR PUBLICATION 20
 © COPYRIGHT 20 BY TYCO ELECTRONICS CORPORATION. ALL RIGHTS RESERVED.

LOC		DIST		REVISIONS				
P	LTR	DESCRIPTION	DATE	DWN	APVD			
-	-	SEE SHEET 1	-	-	-			



SCALE 3:1

SCALE 3:1

RECOMMENDED PCB LAYOUT

DESIGN APPROVED THIS PRINT IS
PRELIMINARY
 TO FIRST PIECE APPROVAL
 CONTACT PRODUCT ENGINEERING
 BEFORE USING THIS PRINT

THIS DRAWING IS A CONTROLLED DOCUMENT FOR TYCO ELECTRONICS CORPORATION IT IS SUBJECT TO CHANGE AND THE CONTROLLING ENGINEERING ORGANIZATION SHOULD BE CONTACTED FOR THE LATEST REVISION.		DWN S. FISHER 10NOV2008	Tyco Electronics Harrisburg, PA 17105-3608	
DIMENSIONS: mm		CHK R. NARANG 10NOV2008	NAME CONNECTOR ASSEMBLY, SELECT LOADING, 6 POSITION, BLADE AND RECEPTACLE	
TOLERANCES UNLESS OTHERWISE SPECIFIED:		APVD R. NARANG 12NOV2008	PRODUCT SPEC 108-2342	
0 PLC ± 1 PLC ±.13 2 PLC ±.13 3 PLC ±.013 4 PLC ± ANGLES ± FINISH ±		APPLICATION SPEC 114-13225	RESTRICTED TO -	
MATERIAL	-	WEIGHT -	SIZE A200779	CAGE CODE C-2106033
CUSTOMER DRAWING		SCALE 5:1	SHEET 3	OF 3 REV 5