



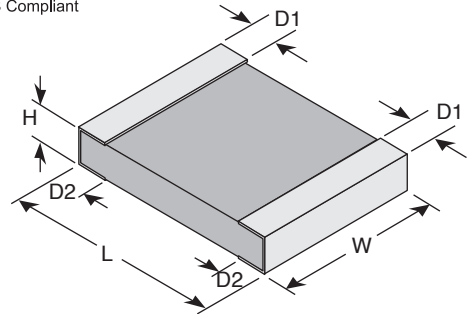
.1% Thin Film Chip Resistors (RoHS Compliant)

288-0603 & 288-0805 Series

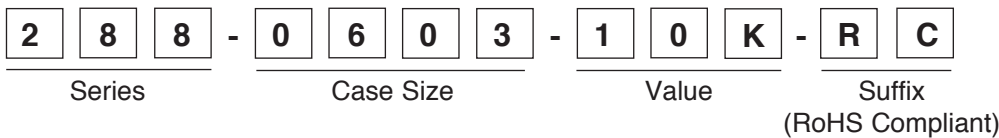
DIMENSIONS (mm)

ELECTRICAL SPECIFICATIONS

- Package Type: 0603 & 0805
- Power Rating (Watts) 1/16W (0603) & 1/10W (0805)
- Resistance Temperature Coefficient: $\pm 10\text{ppm}/^\circ\text{C}$
- Operating Temperature Range: -55°C to $+155^\circ\text{C}$
- Ohmic Range: 100 Ω -100K
- Tolerance: $\pm 0.1\%$
- Passivated coating for humidity performance

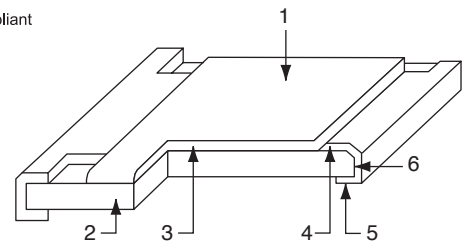


PART NUMBERING SYSTEM



CONSTRUCTION

No.	Part Name
1	Protective coating: Epoxy
2	High purity alumina substrate
3	Resistive element: metal film
4	Termination (Inner): Ag/Pd
5	Termination (Between): Ni plating film
6	Termination (Outer): Sn plating film



SERIES, SIZE, WATTAGE, VOLTAGE, AND DIMENSIONS

Series	Case Size	Power Rating (watts)@70°C	Voltage(max.)		Dimensions (mm)				
			W.V.	O.V.	L	W	H	D1	D2
288-0603-VALUE-RC	0603	1/16W	50	100	1.60 \pm .10	0.80 \pm .15	0.45 \pm .10	.03 \pm .20	.03 \pm .20
288-0805-VALUE-RC	0805	1/10W	100	200	2.00 \pm .15	1.25 \pm .15	0.55 \pm .10	.04 \pm .20	.04 \pm .20

STANDARD STOCKED VALUES (Ω)

100	187	357	825	1.33K	2.1K	3.83K	5.62K	7.68K	12.1K	20K	34.8K	66.5K
105	200	365	845	1.5K	2.21K	3.92K	5.9K	7.87K	12.4K	21K	35.7K	68.1K
121	215	402	887	1.54K	2.49K	4.02K	6.04K	8.25K	13K	24.3K	38.3K	75K
124	243	499	931	1.62K	2.61K	4.12K	6.34K	9.09K	13.3K	24.9K	39.2K	78.7K
130	249	511	1.0K	1.65K	3.16K	4.22K	6.65K	9.53K	15K	30.1K	40.2K	100K
150	267	590	1.02K	1.78K	3.24K	4.53K	6.81K	10K	16.5K	30.9K	46.4K	
165	301	634	1.1K	2.0K	3.32K	4.75K	6.98K	10.2K	18.7K	32.4K	49.9K	
174	340	732	1.24K	2.05K	3.57K	4.99K	7.5K	11.5K	19.1K	33.2K	56.2K	

NOTE: RoHS Compliant by Exemption



XICON PASSIVE COMPONENTS • (800) 628-0544