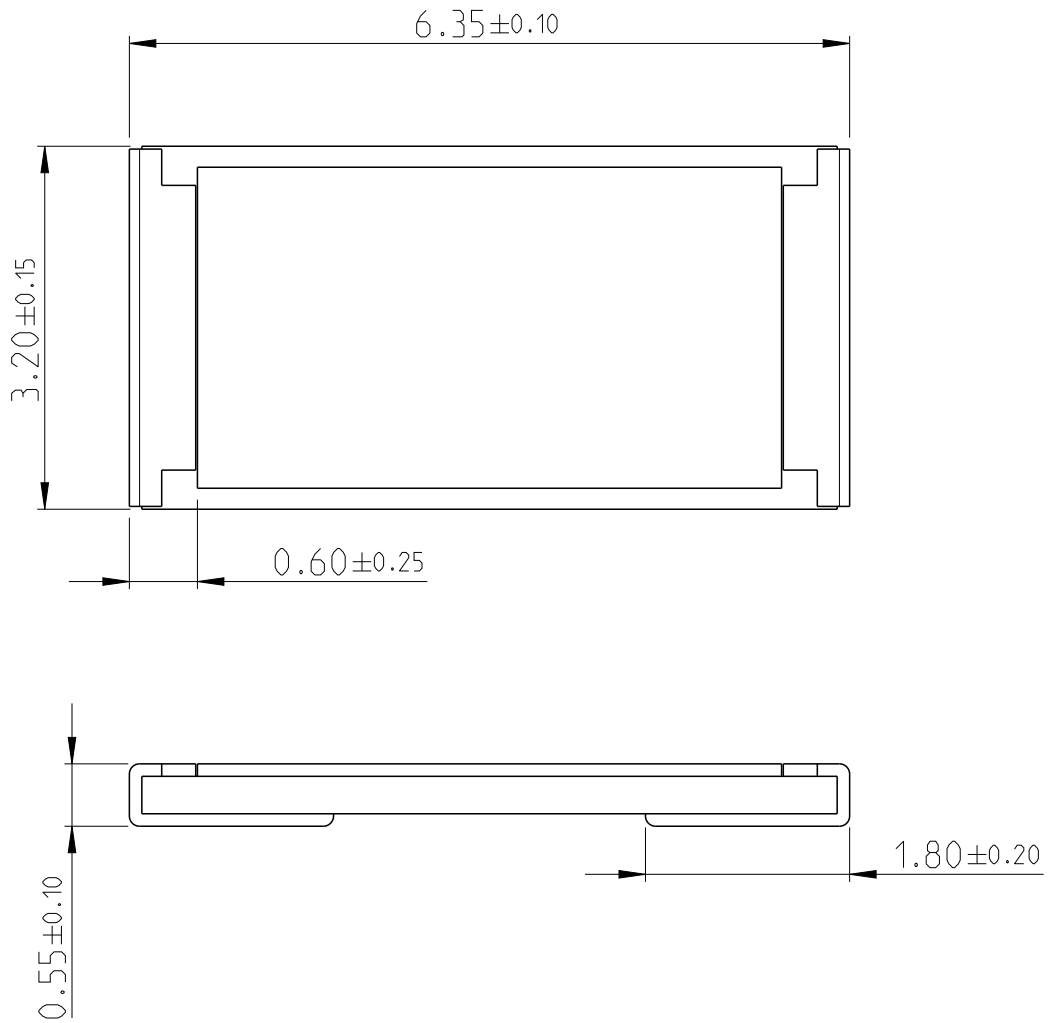


LOC	DIST	REVISIONS					
-	-	P	LTR	DESCRIPTION	DATE	DWN	APVD
		BB1	ECR-15-009468		23JUN2015	KR	TN

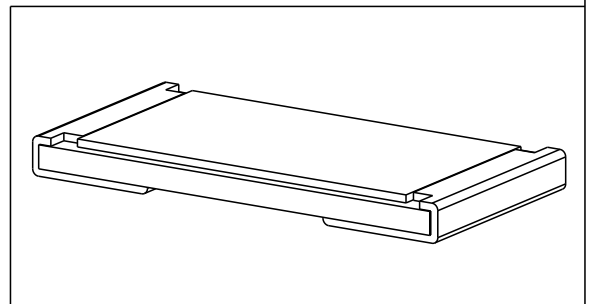


FOR FURTHER INFORMATION SEE DATA SHEET FOR 3521 SERIES



RoHS Compliant



PDB LAYOUT PLAN



20
 RELEASED FOR PUBLICATION
 ALL RIGHTS RESERVED.
 BY -
 THIS DRAWING IS UNPUBLISHED.
 © COPYRIGHT 20

DIMENSIONS:		DWN	15MAR2012	MATERIAL	FINISH		
mm		DARSHAN MS		-	-		
TOLERANCES UNLESS OTHERWISE SPECIFIED:		CHK	15MAR2012	 TE Connectivity			
0 PLC ±		ALLAN P					
1 PLC ±0.5		APVD	15MAR2012	NAME SMD POWER RESISTORS - TYPE 3521 SERIES			
2 PLC ±0.13		STEPHEN.P					
3 PLC ±0.013		PRODUCT SPEC		SIZE	CAGE CODE	DRAWING NO	RESTRICTED TO
4 PLC ±0.0001		APPLICATION SPEC		A 4	00779	C-2176070	-
ANGLES ±		WEIGHT	0.03806 Gram	SCALE		SHEET	REV
		Customer Drawing		40:1	1	OF 1	BB1