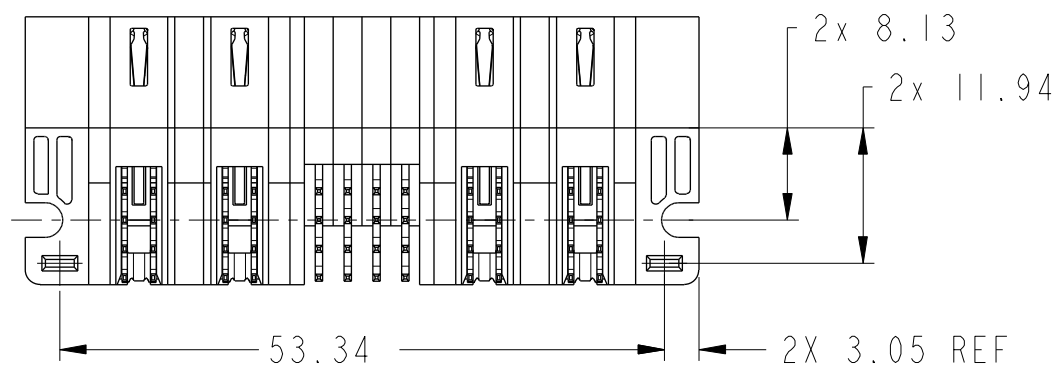
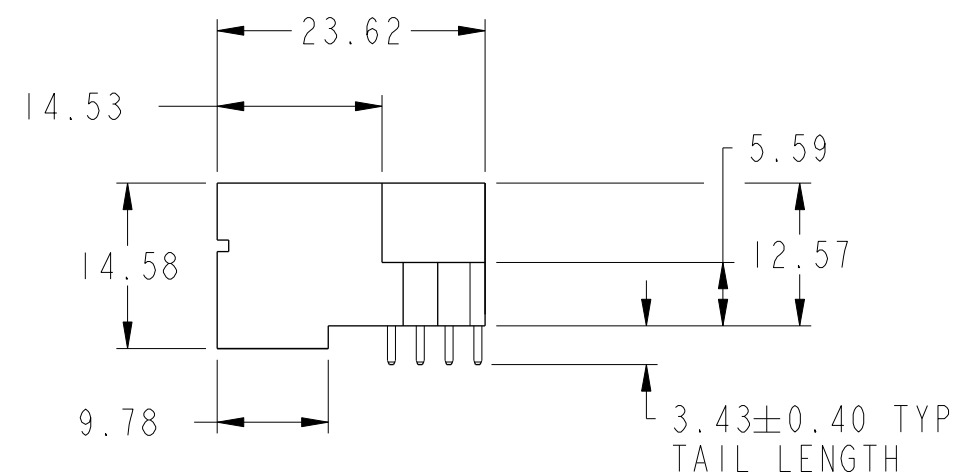
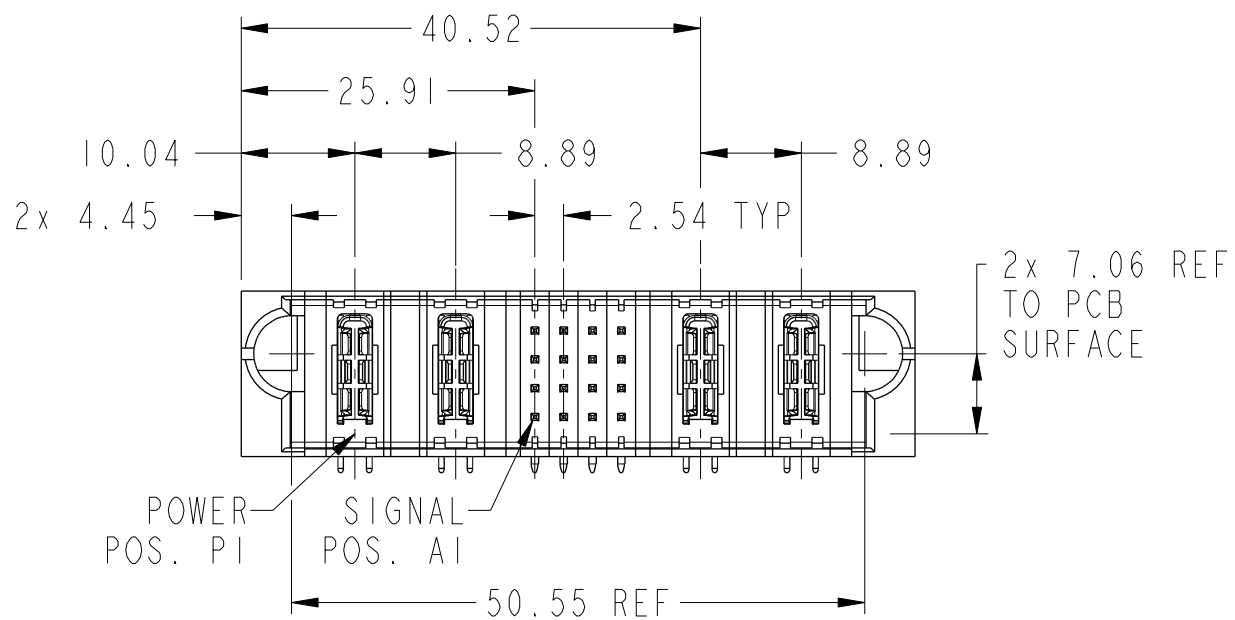
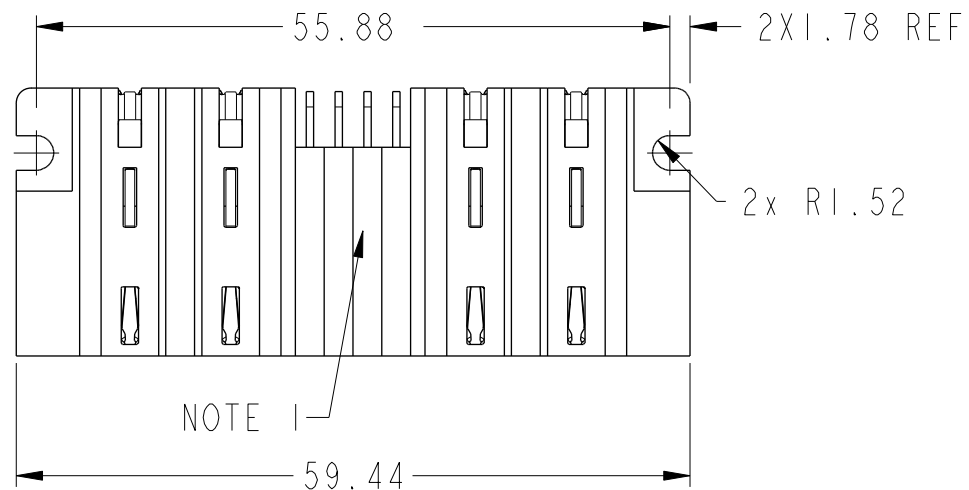


PRODUCT NUMBER SEE SHEET 2

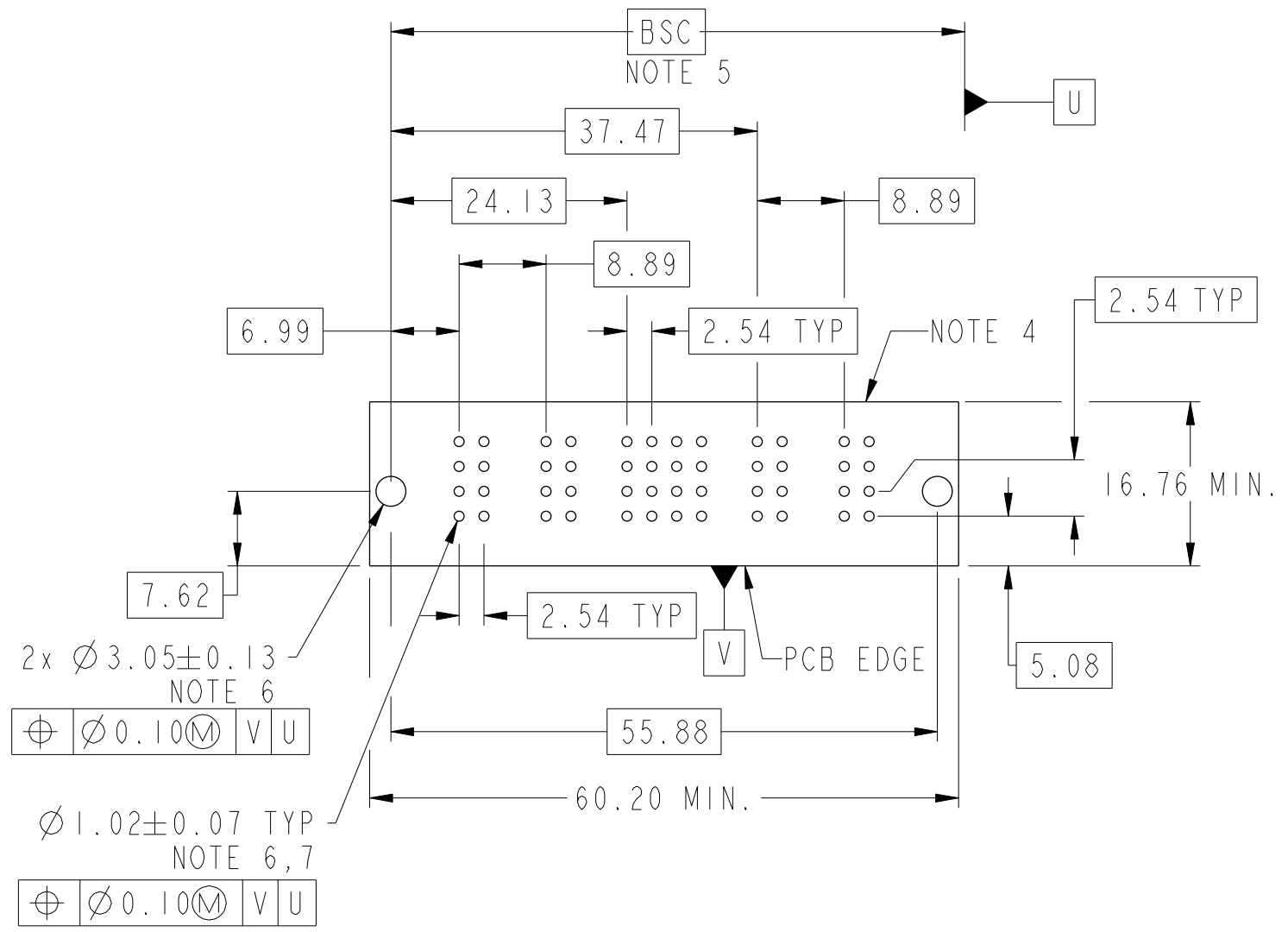


| | | | | | | | | |
|---------------------------------------|---------|-------------|-------------|----|----------|------------------------|-----------|--------------|
| spec ref | dr | 2015/08/30 | projection | MM | size | A3 | scale | 3:2 |
| tolerance std | eng | 2015/10/28 | | | ecn no | ELX-DG-22328-1 | rel level | Released |
| ASME Y14.5 | chr | 2015/11/02 | | | | | | |
| TOLERANCES UNLESS OTHERWISE SPECIFIED | | | | | part no | 2P + 16S + 2P | | rev |
| surface | linear | 0.X ±0.50 | www.fci.com | | cat. no. | Product - Customer Drw | | sheet 1 of 3 |
| | | 0.XX ±0.25 | | | | | | |
| | | 0.XXX ±0.10 | | | | | | |
| ASME Y14.5 | angular | 0° ±2° | | | | | | |
| | | | | | dwg no | 10106262-4004002 | | B |



Copyright FCI.

| | | | | | | | | | | |
|--------------------|------|------------|----|--------|---|---|---|------------|----|----|
| PRODUCT NO. | ROWS | HIGH POWER | | SIGNAL | | | | HIGH POWER | | E2 |
| | | E1 | P1 | P2 | 1 | 2 | 3 | 4 | P3 | |
| 10106262-4004002LF | DCBA | | | | | | | | | |



| CODE | DESCRIPTION |
|------|----------------------------------|
| HI | STD HIGH POWER CONTACT (3.43) |
| R | STD SIGNAL CONTACT, ROW A (3.43) |
| S | STD SIGNAL CONTACT, ROW B (3.43) |
| T | STD SIGNAL CONTACT, ROW C (3.43) |
| U | STD SIGNAL CONTACT, ROW D (3.43) |

| | | | | | | | |
|-------------|----------------|------------|--------------------------------|----------------------------|----------------|--------------|-----|
| dr | Rainbow Zhan | 2015/08/30 | projection MM | size | A3 | scale | 3:2 |
| eng | Vicking Liu | 2015/10/28 | | ecn no | ELX-DG-22328-1 | | |
| chr | Fancy Zhang | 2015/11/02 | | product family | PwrBlade+ | | |
| appr | Pei-Ming Zheng | 2015/11/02 | | rel level | Released | | |
| | | | 2P + 16S + 2P RA STB HEADER | dwg no 10106262-4004002 | rev B | | |
| www.fci.com | | | cat. no. | Product - Customer Drw | | sheet 2 of 3 | |

Copyright FCI.

A

B

C

D

A

B

C

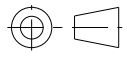


D

NOTES:

- 1) "FCI", PART NUMBER AND DATE CODE TO BE MARKED ON THIS SURFACE.
THE MARK CAN BE OMITTED IF THERE IS NOT ENOUGH SPACE ON THIS SURFACE.
- 2) MATERIALS:
-HOUSING - GLASS FILLED WITH HIGH TEMP THERMOPLASTIC, UL94V-0.
-SIGNAL CONTACT - COPPER ALLOY.
-POWER CONTACT - HIGH CONDUCTIVITY COPPER ALLOY.
- 3) PLATING SPECIFICATION: 10116351
- 4) DENOTES CONNECTOR KEEP OUT ZONE.
- 5) DATUM AND BASIC DIMENSIONS ARE ESTABLISHED BY CUSTOMER.
- 6) ALL HOLE DIAMETERS ARE FINISHED HOLE SIZES.
- 7) 1.15 ±0.025MM DRILLED HOLE PLATED WITH 0.00762MM MIN Sn
OVER 0.0254-0.0762MM Cu PLATING TO ACHIEVE A 1.02 ±0.07MM HOLE.
- 8) PRODUCT SPECIFICATION: GS-12-658.
APPLICATION SPECIFICATION: GS-20-141.
PRODUCT PACKAGED IN TRAYS: GS-14-1502.



Copyright FCI.

| | | | | | | | | |
|-------------|----------------|------------|---|---|---|----------------|--------------------------------|----------------------------|
| dr | Rainbow Zhan | 2015/08/30 | projection  | MM  | size | A3 | scale | 3:2 |
| eng | Vicking Liu | 2015/10/28 | | | ecn no | ELX-DG-22328-1 | | |
| chr | Fancy Zhang | 2015/11/02 | | | product family | PwrBlade+ | rel level | Released |
| appr | Pei-Ming Zheng | 2015/11/02 | | |  | | 2P + 16S + 2P RA STB HEADER | dwg no 10106262-4004002 |
| www.fci.com | | cat. no. | Product - Customer Drw | | sheet 3 of 3 | | | |