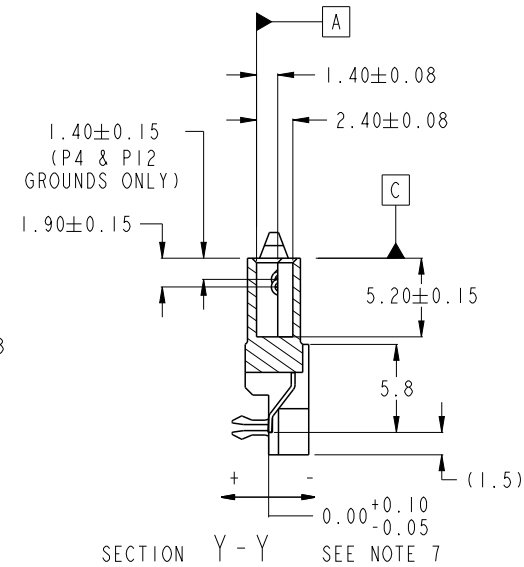
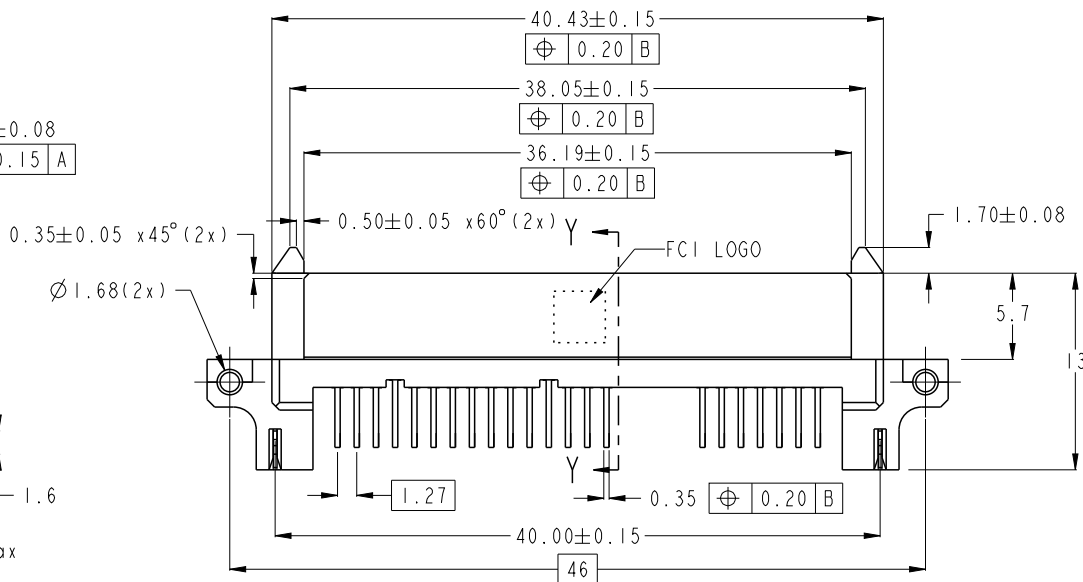
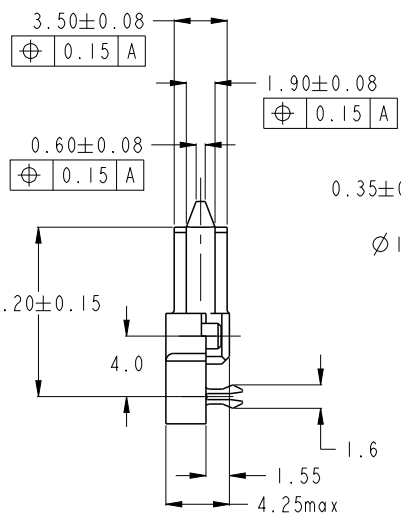
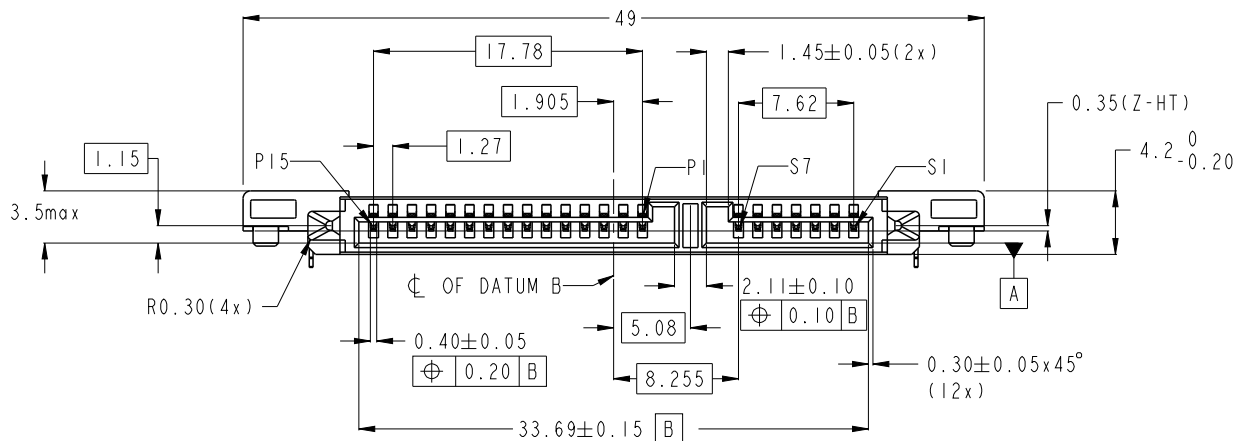


PRODUCT NO.

SEE TABLE



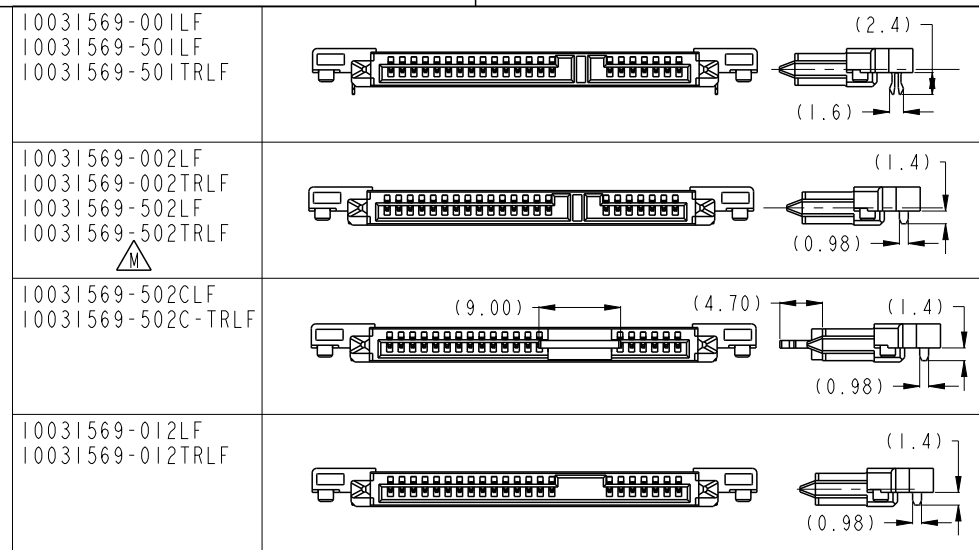
spec ref		dr	w wcadmin	2006/02/16	projection 	MM 	size	A4	scale	1:1				
tolerance std		eng	Koon-Poh Tay	2015/10/07			ecn no	ELX-S-22098-1						
ASME Y14.5		chr	-	-				rel level		Released				
surface	linear	0.X	±0.25	FCI 	title	S-ATA RECEPTACLE	dwg no	10031569	rev	M				
		0.XX	±0.20								www.fci.com	cat. no.	Product - Customer Drw	sheet 1 of 2
		0.XXX	±0.10											
angular	0°	±°												

Prod File - REV C - 2009-06-09



Copyright FCI.

PRODUCT NO.	RECOMMENDED P.C.B. THICKNESS	PLATING	PACKAGING	REMARKS
10031569-001LF	1.6mm	NOTE 2	TRAY	
10031569-501LF		NOTE 8	TRAY	
10031569-501TRLF		NOTE 8	TAPE & REEL	
10031569-002LF	-	NOTE 2	TRAY	
10031569-002TRLF	-	NOTE 2	TAPE & REEL	
10031569-502LF	-	NOTE 8	TRAY	
$\Delta$ 10031569-502TRLF	-	NOTE 8	TAPE & REEL	
10031569-502CLF	-	NOTE 8	TRAY	WITH SUPPORTING CAP
10031569-502C-TRLF	-	NOTE 8	TAPE & REEL	WITH SUPPORTING CAP
10031569-012LF	-	NOTE 2	TRAY	
10031569-012TRLF	-	NOTE 2	TAPE & REEL	



NOTES:-

1. MATERIAL:

- 1) HOUSING : HIGH TEMP. THERMOPLASTIC, UL 94V-0  
COLOR : BLACK
- 2) TERMINAL : COPPER ALLOY
- 3) HOLD DOWN : COPPER ALLOY

2. FINISH:

- 1) TERMINAL : 30u" Au PLATING (CONTACT POINT) OVER 50u" MIN NICKEL
- 2) SOLDER TAIL : 100u" MIN TIN OVER 50u" NICKEL
- 3) HOLD DOWN : 100u" MIN TIN OVER 50u" NICKEL

3. THE STANDARD PACKAGING IS IN TRAY.

4. THE HOUSING WILL WITHSTAND EXPOSURE TO 260°C PEAK TEMPERATURE FOR 10 SECONDS IN A CONVECTION, INFRA-RED OR VAPOR PHASE REFLOW OVEN.

5. THIS PRODUCT MEETS EUROPEAN UNION DIRECTIVES AND OTHER COUNTRY REGULATIONS AS DESCRIBED IN GS-47-0004

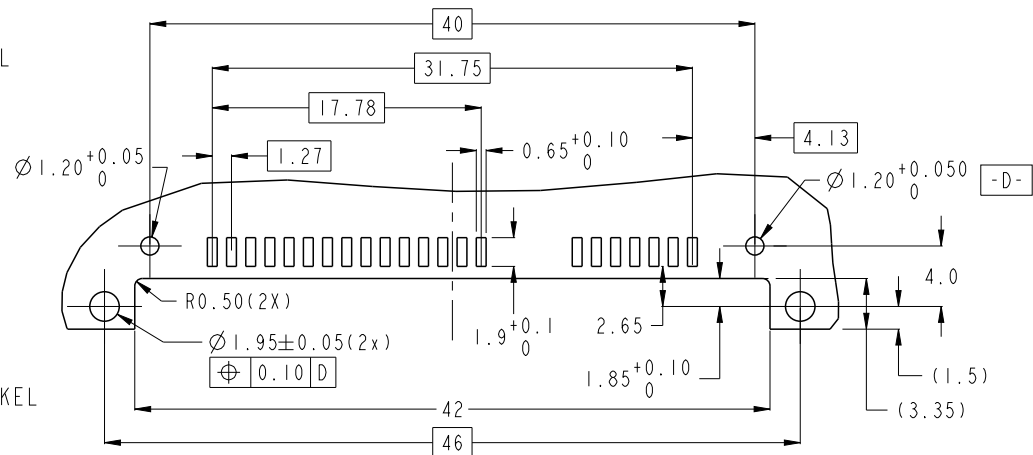
6. PART NUMBERS ENDING IN "LF" ARE MEANT FOR LEAD-FREE IDENTIFICATION. P/N XXXXXXXX-XXXLF IS EQUIVALENT TO PREVIOUS P/N XXXXXXXX-XXX

7. ALL SOLDER TAIL TO BE WITHIN 0.12mm MAX. COPLANARITY.

8. FINISH:

- 1) TERMINAL : 15u" Au PLATING (CONTACT POINT) OVER 50u" MIN NICKEL
- 2) SOLDER TAIL : 100u" MIN TIN OVER 50u" NICKEL
- 3) HOLD DOWN : 100u" MIN TIN OVER 50u" NICKEL

9. A  $\Delta$  SYMBOL WILL BE NEXT TO ANY DIMENSION, VIEW, OR NOTE WHICH HAS BEEN MODIFIED WITH THE CURRENT DRAWING REVISION.



RECOMMENDED P.C.B LAYOUT  
TOLERANCE UNLESS OTHERWISE:  $\pm 0.1$

spec ref		dr	wcadmin	2006/02/16	projection	MM	size	A4	scale	1:1
tolerance std		eng	Koon-Poh Tay	2015/10/07		$\longleftrightarrow$	ecn no		ELX-S-22098-1	
ASME Y14.5		chr	-	-			rel level		Released	
surface <input checked="" type="checkbox"/>		appr		Chen-Hong Tan	product family		dwg no		10031569	
linear		0.X	$\pm 0.25$		title		S-ATA RECEPTACLE		rev	
		0.XX	$\pm 0.20$				TOP MOUNT R/A SMT ASSY		M	
		0.XXX	$\pm 0.10$							
angular		0°	$\pm$		cat. no.		Product - Customer Drw		sheet 2 of 2	