

REV.	DESCRIPTION	DATE	APPROVED
G	Engineering Update w/o Changes	03/01/04	M. C.
H	Changed "C" Dimensions for SW-XXX-145.	06/21/07	M. C.
J	Removed Obsolete Products.	06/19/09	T. Y.
K	Removed Obsolete Products.	10/08/09	T. Y.

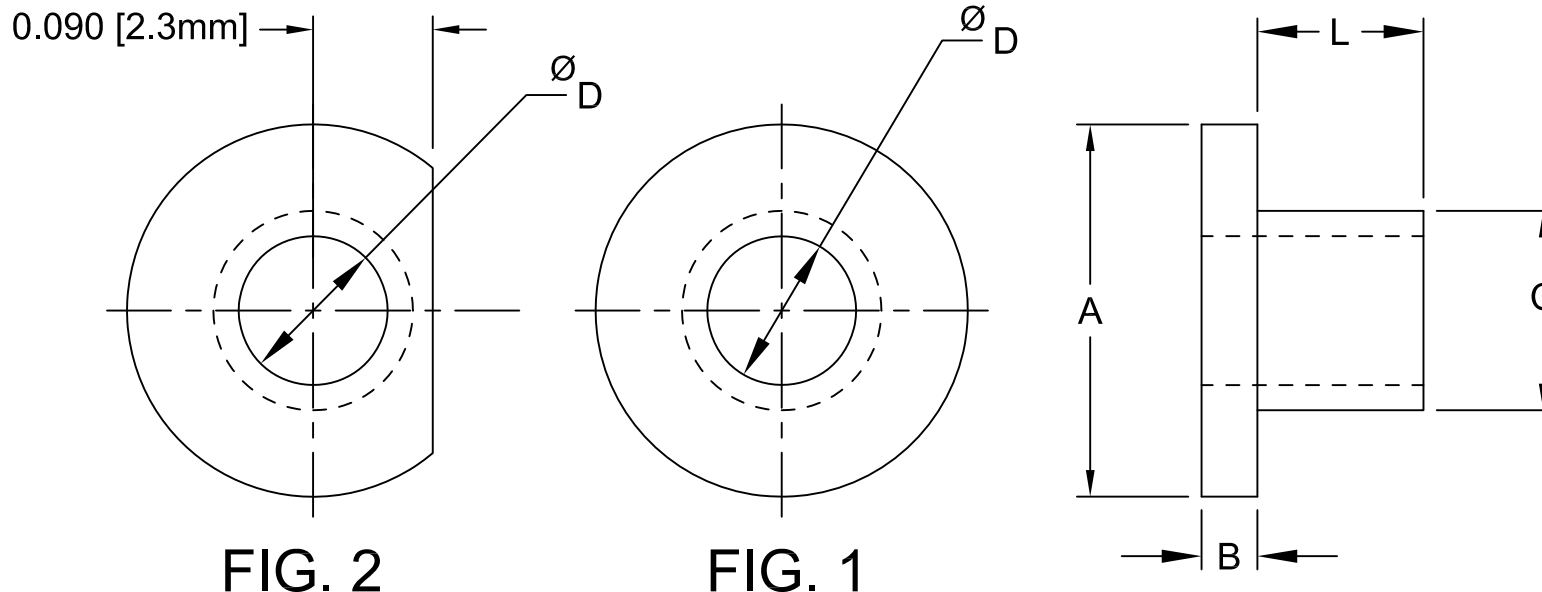




FIG. 2

FIG. 1

PART NO.	L	A	B	C	D	SCREW SIZE	FIG.	MATERIAL
SW-032-135	0.032(0.8mm)	0.215(5.5mm)	0.040(1.0mm)	0.130(3.3mm)	0.116(3.0mm)	4	1	31-BK
SW-040-140	0.040(1.0mm)	0.245(6.2mm)	0.040(1.0mm)	0.140(3.6mm)	0.119(3.0mm)		2	
SW-125-140	0.125(3.2mm)	0.280(7.1mm)	0.042(1.1mm)	0.140(3.6mm)	0.112(2.8mm)		1	22-BK, 24-WE or 03-NL-BK
SW-031-145	0.031(0.8mm)	0.235(6.0mm)	0.047(1.2mm)	0.140(3.6mm)	0.115(2.9mm)			
SW-187-145	0.187(4.8mm)							
SW-125-150	0.125(3.2mm)	0.280(7.1mm)	0.042(1.1mm)	0.150(3.8mm)	0.112(2.8mm)	6	1	31-BK
SW-185-150	0.185(4.7mm)	0.280(7.1mm)	0.042(1.1mm)	0.150(3.8mm)	0.122(3.1mm)			
SW-031-177	0.031(0.8mm)	0.312(7.9mm)	0.047(1.2mm)	0.177(4.5mm)	0.144(3.7mm)			
SW-031-190	0.031(0.8mm)	0.312(7.9mm)	0.047(1.2mm)	0.190(4.8mm)	0.146(3.7mm)			

5. MATERIAL 4: NYLON 6/6, 94V-0, BLACK. BIVAR MATERIAL CODE 22-BK.
RTP POLYAMIDE NYLON 6/6, 0200 FR, BLACK OR MODIFIED PLASTICS MN6/6-SE BK.
4. MATERIAL 3: NYLON 6/6, 94V-0, NATURAL/WHITE. BIVAR MATERIAL CODE 24-WE.
RTP POLYAMIDE NYLON 6/6, 0299X63548, NATURAL OR MODIFIED PLASTICS MN6/6-SE WHT.
3. MATERIAL 2: NYLON 6/6, 94V-2, BLACK. BIVAR MATERIAL CODE 03-NL-BK.
BASF ULTRAMID NYLON 6/6 A3K NATURAL W/BLACK PIGMENT ADDED.
2. MATERIAL 1: POLYPHENYLENE SULFIDE, 94V-0, BLACK. BIVAR MATERIAL CODE 31-BK.
PHILLIPS RYTON R-4 02XT, 40% GLASS FILLED, 94V-0, BLACK.
1. GENERAL SPECIFICATIONS: BIVAR MOLDED COMPONENT SPECIFICATION BV00-E101.

STANDARD TOLERANCE (UNLESS OTHERWISE SPECIFIED)		 BIVAR [®] 4 THOMAS, IRVINE, CA. 92618 TEL: (949) 951-8808 FAX: (949) 951-3974			
DECIMALS	ANGULAR				
.X ±.1	X° ± 1°	 TITLE: HIGH TEMPERATURE SHOULDER WASHER			
.XX ±.01					
.XXX ±.005		DESIGNED: David Green	DATE: 01/17/03	PART NO: SW-XXX-XXX	REVISION: K
		CHECKED: M. Chen	DATE: 01/17/03		CAGE CODE : 32559
CAD GENERATED DOCUMENT, DO NOT MEASURE DRAWING.					