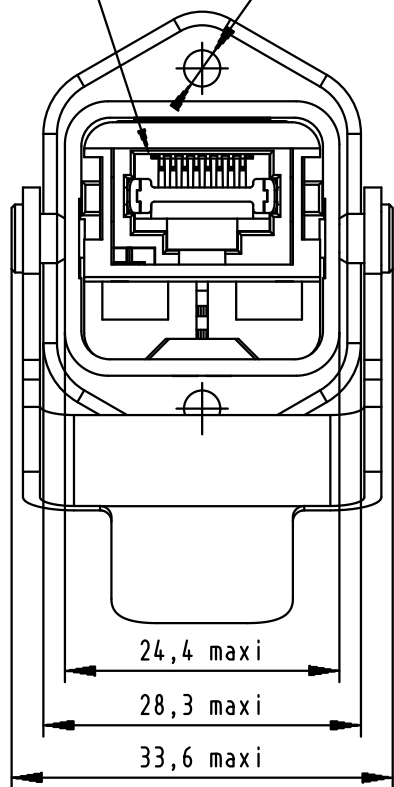


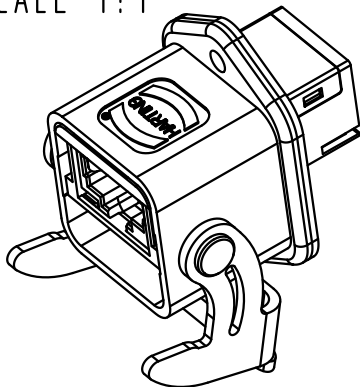
1 2 3 4 5 6

A
B
C
D

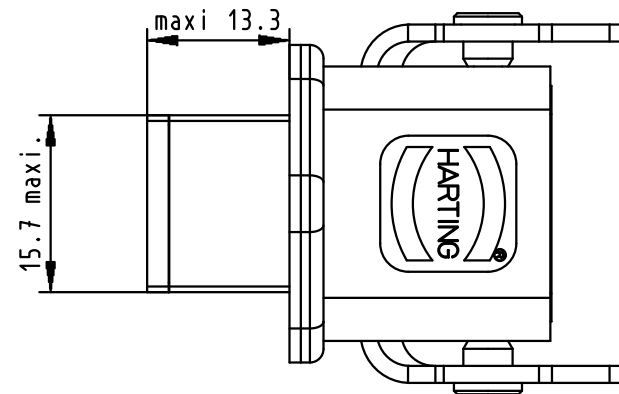
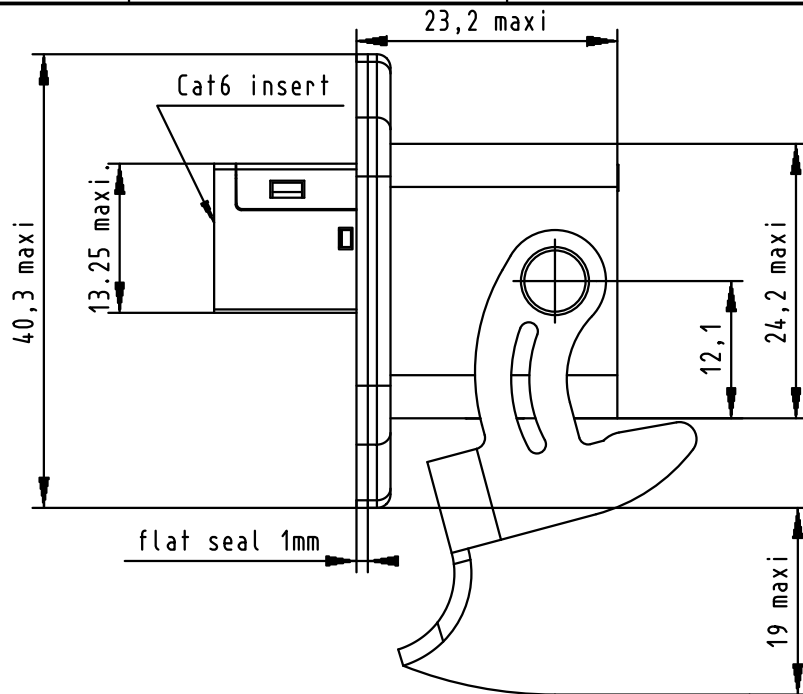
IEC 60603-7 $\phi 3,4$ maxi



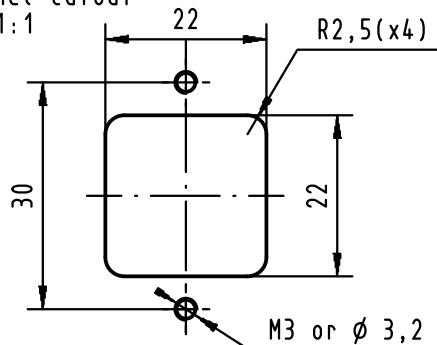
SCALE 1:1





compatible with
IEC 60076-3-106 variant 5
connectors pitches on panel
axis X = 36 mm
axis Y = 55 mm



recommended panel cutout
scale 1:1



				Dot.	Name	 All Dim. in mm Orig. Size DIN A 4	RJ Industrial metal Han 3A RJ45 panel feed through Cat.6	Maßstab/ Scale
			Detail.	25/05/10	AB			1,5:1
			Insp.					
			Stand.					Blatt/ Page
36075	25/05/10	AB	HARTING EURL F-95972 Paris				TB 09 45 215 1560	1 1
Mod.	Dot.	Name					Sub.	